



Catalog #: _____ Project: _____

Prepared By: _____ Date: _____ Type: _____

Mirada Small Wall Sconce (XWS)

Outdoor LED Wall Light

**IP65 IK10****OVERVIEW**

Lumen Output Range	2,000 - 6,000
Wattage Range	15 - 52
Efficacy Range (LPW)	119 - 151
Luminaire Weight lbs (kg)	8 (3.6)

QUICK LINKS[Ordering Guide](#)[Performance](#)[Photometrics](#)[Dimensions](#)**FEATURES & SPECIFICATIONS****Construction**

- Rugged die-cast aluminum housing.
- Fixtures are finished with LSI's DuraGrip® polyester powder coat finishing process. The DuraGrip finish withstands extreme weather changes without cracking or peeling. Other standard LSI finishes available. Consult factory.
- Extended housing available with 1/2" threaded hubs for surface conduit and rated wire.
- Standard luminaire shipping weight: 10 lbs in carton.
- Max luminaire shipping weight (with back housing): 20 lbs in carton.

Optical System

- Choice of acrylic lens or high impact resistant polycarbonate lens
- The lens is fully gasketed with a one-piece solid silicone gasket to keep out moisture and dust, providing an IP65 rating for the luminaire
- Reflector system with recessed light engine reduces glare and brightness.
- Forward Throw Wide and Medium distributions available.
- Optional diffused lens for reduced LED pixilation over the lens and maximum visual comfort.
- Zero uplight.
- Available in 5000K, 4000K, 3500K, 3000K and 2700K color temperatures per ANSI C78.377.
- Minimum CRI of 80

Electrical

- High-performance driver features over-voltage under-voltage, short-circuit and over temperature protection.
- 0-10V dimming (10% - 100%) standard.
- Standard Universal Voltage (120-277 VAC) Input 50/60 Hz or optional High Voltage (347-480 VAC).
- L70 Calculated Life: >60k Hours
- Total harmonic distortion: <20%
- Operating temperature: -40°C to +50°C (-40°F to +122°F).
- Power factor: >.90
- Input power stays constant over life.
- Optional 10kV surge protection device meets a minimum Category C Low operation (per ANSI/IEEE C62.41.2).
- High-efficacy LEDs mounted to metal-core circuit board to maximize heat dissipation
- Driver is fully encased in potting material for moisture resistance. Driver complies with FCC standards. Accessible driver and electrical components.
- Optional Dual Drivers/Circuit/Power Feeds.
- Optional battery backup provides 90-minutes of constant power to the LED system, ensuring code compliance. A test switch/indicator button is installed on the housing for ease of maintenance. Standard battery rated for 0° to 50° with cold weather battery rated for -20°C to 50°. 120-277V Only.

Controls

- Optional integral passive infrared Bluetooth™ motion and photocell sensor. Fixtures operate independently and can be commissioned via iOS or Android configuration app.

- LSI's AirLink™ wireless control system options reduce energy and maintenance costs while optimizing light quality 24/7.

Installation

- Universal wall mounting plate mounts directly to vertical surface or 4" junction box (octagonal or square).
- Luminaire hinges to the top of the mounting plate and is secured via two flush mount screws that help to conceal the hardware and prevent over tightening during installation.

Warranty

- LSI luminaires carry a 5-year limited warranty. Refer to <https://www.lsicorp.com/resources/terms-conditions-warranty/> for more information.

Listings

- Listed to UL 1598 and UL 8750.
- Meets Buy American Act requirements.
- IDA compliant; with 2700K or 3000K color temperature selection.
- Title 24 Compliant; see local ordinance for qualification information.
- Suitable for wet locations.
- IP65 rated luminaire per IEC 60598-1.
- IK10 rated luminaire per IEC 66262 mechanical impact code with clear polycarbonate lens (MTP).
- DesignLights Consortium® (DLC) qualified product. Not all versions of this product are DLC qualified. Please check the DLC Qualified Products List at www.designlights.org/QPL to confirm which versions are qualified.





Mirada Small Wall Sconce (XWS)

[Back to Quick Links](#)

ORDERING GUIDE

TYPICAL ORDER EXAMPLE: **XWS LED 6L FTW UNV DIM 40 70CRI ALBCS1 BLK EH**

Luminaire Prefix	Light Source	Lumen Package	Distribution/Lens	Voltage	Driver	Color Temp	Color Rendering
XWS - Mirada Small Wall Sconce	LED	2L - 2,000 lms 3L - 3,000 lms 5L - 5,000 lms 6L - 6,000 lms Custom Lumen Packages ¹	FTW - Forward Throw Wide Clear Acrylic MT - Medium Throw Clear Acrylic MTD - Medium Throw Diffuse Acrylic MTP - Medium Throw Clear Polycarbonate MTPD - Medium Throw Diffuse Polycarbonate	UNV - Universal Voltage (120-277V) HV - High Voltage (347-480V) ²	DIM - 0-10v Dimming (0-10%)	50 - 5,000K 40 - 4,000K 35 - 3,500K 30 - 3,000K 27 - 2,700K	80CRI - 80 CRI

Controls	Finish	Options
(Blank) - None Wireless Controls⁸ ALSC - AirLink Synapse Control System ³ ALSCS1 - AirLink Synapse Control System with 8-12' MH Motion Sensor ^{3,4} ALSCS2 - AirLink Synapse Control System with 12-20' MH Motion Sensor ^{3,4} ALBCS1 - AirLink Blue Wireless Motion & Photo Sensor Controller (8-24' mounting height) ^{3,4} Standalone Controls EXT - 0-10v Dimming leads extended to housing exterior IMSBT1 - Integral Bluetooth™ Motion and Photocell Sensor 8-24' MH ^{3,4,5} Button Type Photocells PCI120 - 120V PCI208-277 - 208-277V PCI347 - 347V	BLK - Black BRZ - Dark Bronze GMG - Gun Metal Gray GPT - Graphite MSV - Metallic Silver PLP - Platinum Plus SVG - Satin Verde Green WHT - White	(Blank) - None 2DP - Dual Driver, Circuit & Power Feed ^{3,4,6,7} BB - Battery Back-up (0°C) ^{3,4,9} CWBB - Cold Weather Battery Backup(-20°C) ^{3,4,9} EH - Extended Housing ⁴ SP1 - 10kV Surge Protection Device TP - Tamper Proof ¹⁰

ACCESSORY ORDERING INFORMATION⁸

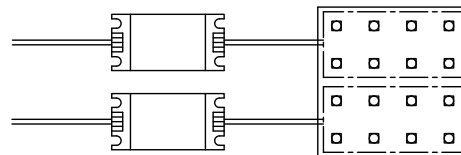
Lens/Housing Accessories	
Description	Order Number
XWS Performance Lens (FTW)	758270
XWS Clear Acrylic Lens (MT)	758267
XWS Diffuse Acrylic Lens (MTD)	758268
XWS Polycarbonate Vandal Lens (MTP)	758271
XWS Extended Housing/Surface Conduit Wiring Box	758274CLR
XWS Spacer Plate/Wiring Box	760159CLR
XWS Tamper Resistant Hardware	783974
XWS Tamper Resistant Hardware Screw Driver	783975

FOOTNOTES:

1. Custom lumen and wattage packages available, consult factory. Values are within industry standard tolerances but not DLC listed.
2. Not available in 2L lumen package.
3. Option requires EH extended housing.
4. For applications with surface conduit, there is limited hub accessibility when ordering with controls, battery backup or dual driver options. Consult factory.
5. IMSBT is field configurable via the LSI app that can be downloaded from your smartphone's native app store.
6. Not available with controls.
7. Not available in 2L and 3L lumen packages.
8. Accessories are shipped separately and field installed.
9. Universal Voltage Only (120-277V).
10. Tamper-proof screwdriver must be ordered separately (see accessory ordering information)

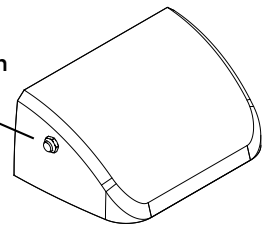
Dual Driver, Circuit & Power Feed

Dual drivers and circuit provide redundant sources to ensure that failure of one component will not leave total darkness in any space. Dual power feeds allow for wiring to inverters to reduce load during emergency operation. Extended housing required.



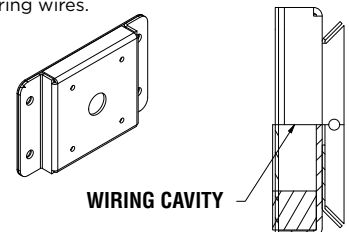
Button Photocell

Luminaire shown with PCI



Spacer Plate/Wiring Box

8.25" x 5.25" x 1.07" wall spacer plate allows the luminaire to float off the wall and provides space for securing wires.



Battery Backup

Emergency battery system provides 90-minutes of constant power to the LED system, ensuring code compliance. A test switch/indicator button is installed on the housing for ease of maintenance. The fixture delivers ~1200 lumens during emergency mode. Extended housing required.



Luminaire shown with sensor & battery backup



Mirada Small Wall Sconce (XWS)

PERFORMANCE

[Back to Quick Links](#)

DELIVERED LUMENS*																		
Lumen Package	Distribution	CRI	2700K CCT			3000K CCT			3500K CCT			4000K CCT			5000K CCT			Wattage
			Delivered Lumens	Efficacy	BUG Rating	Delivered Lumens	Efficacy	BUG Rating	Delivered Lumens	Efficacy	BUG Rating	Delivered Lumens	Efficacy	BUG Rating	Delivered Lumens	Efficacy	BUG Rating	
2L	FTW	80	1,961	131	B1-U0-G1	2,071	138	B1-U0-G1	2,120	141	B1-U0-G1	2,145	143	B1-U0-G1	2,167	144	B1-U0-G1	15
	MT		2,023	135	B1-U0-G0	2,136	142	B1-U0-G0	2,188	146	B1-U0-G0	2,216	148	B1-U0-G0	2,236	149	B1-U0-G0	
	MTD		1,892	126	B1-U0-G1	1,997	133	B1-U0-G1	2,045	136	B1-U0-G1	2,072	138	B1-U0-G1	2,090	139	B1-U0-G1	
	MTP		2,020	135	B1-U0-G0	2,133	142	B1-U0-G0	2,184	146	B1-U0-G0	2,213	148	B1-U0-G0	2,233	149	B1-U0-G0	
	MTPD		1,744	116	B1-U0-G1	1,842	123	B1-U0-G1	1,887	126	B1-U0-G1	1,911	127	B1-U0-G1	1,928	129	B1-U0-G1	
3L	FTW	80	3,432	132	B1-U0-G1	3,624	139	B1-U0-G1	3,710	143	B1-U0-G1	3,759	145	B1-U0-G1	3,793	146	B1-U0-G1	26
	MT		3,542	136	B1-U0-G1	3,739	144	B1-U0-G1	3,829	147	B1-U0-G1	3,879	149	B1-U0-G1	3,914	151	B1-U0-G1	
	MTD		3,495	134	B1-U0-G1	3,690	142	B1-U0-G1	3,778	145	B1-U0-G1	3,828	147	B1-U0-G1	3,862	149	B1-U0-G1	
	MTP		3,537	136	B1-U0-G1	3,735	144	B1-U0-G1	3,824	147	B1-U0-G1	3,874	149	B1-U0-G1	3,909	150	B1-U0-G1	
	MTPD		3,054	117	B1-U0-G1	3,224	124	B1-U0-G1	3,303	127	B1-U0-G1	3,345	129	B1-U0-G1	3,375	130	B1-U0-G1	
5L	FTW	80	4,980	128	B1-U0-G1	5,257	135	B1-U0-G1	5,383	138	B1-U0-G1	5,454	140	B1-U0-G1	5,503	141	B1-U0-G1	39
	MT		5,138	132	B1-U0-G1	5,425	139	B1-U0-G1	5,555	142	B1-U0-G1	5,628	144	B1-U0-G1	5,678	146	B1-U0-G1	
	MTD		4,805	123	B1-U0-G1	5,074	130	B1-U0-G1	5,195	133	B2-U0-G1	5,263	135	B2-U0-G1	5,310	136	B2-U0-G1	
	MTP		5,132	132	B1-U0-G1	5,418	139	B1-U0-G1	5,548	142	B1-U0-G1	5,621	144	B1-U0-G1	5,671	145	B1-U0-G1	
	MTPD		4,430	114	B1-U0-G1	1,677	120	B1-U0-G1	4,791	123	B1-U0-G1	4,852	124	B1-U0-G1	4,896	126	B1-U0-G1	
6L	FTW	80	6,362	122	B1-U0-G1	6,717	129	B2-U0-G1	6,877	132	B2-U0-G1	6,968	134	B2-U0-G1	7,031	135	B2-U0-G1	52
	MT		6,564	126	B2-U0-G1	6,931	133	B2-U0-G1	7,097	136	B2-U0-G1	7,190	138	B2-U0-G1	7,254	140	B2-U0-G1	
	MTD		6,139	118	B2-U0-G1	6,482	125	B2-U0-G1	6,637	128	B2-U0-G1	6,724	129	B2-U0-G1	6,784	130	B2-U0-G1	
	MTP		6,354	122	B2-U0-G1	6,708	129	B2-U0-G1	6,869	132	B2-U0-G1	6,959	134	B2-U0-G1	7,021	135	B2-U0-G1	
	MTPD		5,659	109	B1-U0-G1	5,975	115	B2-U0-G1	6,121	118	B2-U0-G1	6,199	119	B2-U0-G1	6,255	120	B2-U0-G1	

*LEDs are frequently updated therefore values are nominal.

ELECTRICAL DATA*						
Lumen Package	120V	208V	240V	277V	347V	480V
2L	0.12	0.07	0.06	0.05	0.04	0.03
3L	0.21	0.12	0.11	0.09	0.07	0.05
5L	0.32	0.19	0.16	0.14	0.11	0.08
6L	0.43	0.25	0.22	0.19	0.15	0.11

*Electrical data at 25C (77F). Actual wattage may differ by +/-10%.

RECOMMENDED LUMEN MAINTENANCE ¹					
Ambient Temp	Lumen Multiplier				
	0 hrs. ²	25K hrs. ²	50K hrs. ²	75K hrs. ³	100K hrs. ³
C					
0 C -25 C	100%	97%	92%	88%	84%
40 C	100%	95%	90%	85%	81%

FOOTNOTES:

- Lumen maintenance values at 25°C are calculated per TM-21 based on LM-80 data and in-situ luminaire testing.
- In accordance with IESNA TM-21-11, Projected Values represent interpolated value based on time durations that are within six times (6X) the IESNA LM-80-08 total test duration (in hours) for the device under testing ((DUT) i.e. the packaged LED chip).
- In accordance with IESNA TM-21-11, Calculated Values represent time durations that exceed six times NA LM-80-08 total test duration (in hours) for the device under testing ((DUT) i.e. the packaged LED chip).



Mirada Small Wall Sconce (XWS)

PHOTOMETRICS

[Back to Quick Links](#)

All published luminaire photometric testing performed to IESNA LM-79 standards. ISO footcandle plots below demonstrate the Mirada Wall Sconce (XWM) light patterns only. Not for total fixture output. For complete specifications and IES files, see website.

XWS-LED-5L-FTW-40

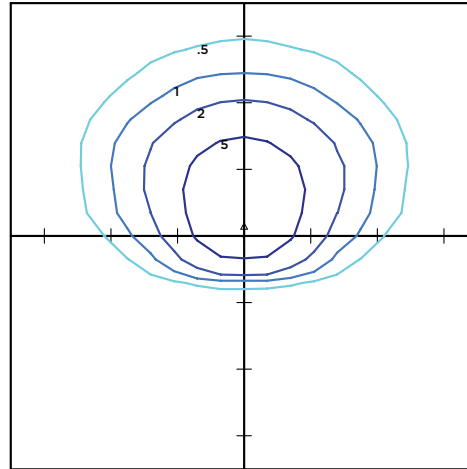
LUMINAIRE DATA

Type FTW Distribution	
Description	4000 Kelvin, 80 CRI
Delivered Lumens	5,454
Watts	39
Efficacy	140
IES Type	Type IV - Very Short
BUG Rating	B1-U0-G1

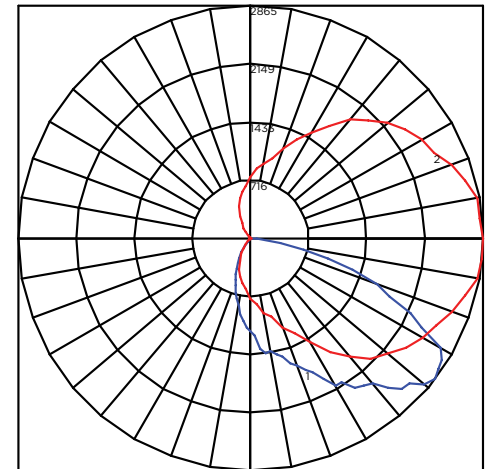
Zonal Lumen Summary

Zone	Lumens	%Luminaire
Low (0-30)°	1191	20%
Medium (30-60)°	2668	50%
High (60-80)°	1508	28%
Very High (80-90)°	87	1%
Uplight (90-180)°	0	0%
Total Flux	5454	100%

ISO FOOTCANDLE



POLAR CURVE



10' Mounting Height/10' Grid Spacing

■ 5 FC ■ 2 FC ■ 1 FC ■ 0.5 FC

XWS-LED-5L-MT-40

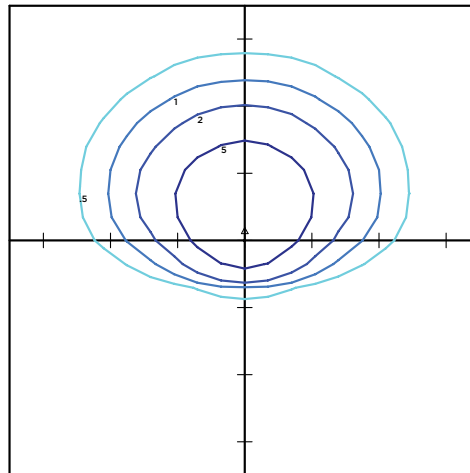
LUMINAIRE DATA

Type MT Distribution	
Description	4000 Kelvin, 80 CRI
Delivered Lumens	5,628
Watts	39
Efficacy	144
IES Type	Type III - Very Short
BUG Rating	B1-U0-G1

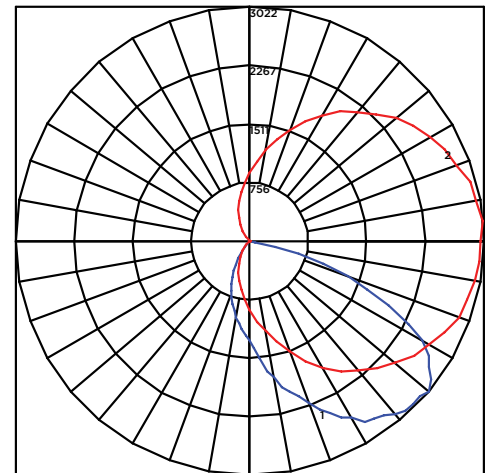
Zonal Lumen Summary

Zone	Lumens	%Luminaire
Low (0-30)°	1134	22%
Medium (30-60)°	2788	54%
High (60-80)°	1194	23%
Very High (80-90)°	11	0%
Uplight (90-180)°	0	0%
Total Flux	5127	100%

ISO FOOTCANDLE



POLAR CURVE



10' Mounting Height/10' Grid Spacing

■ 5 FC ■ 2 FC ■ 1 FC ■ 0.5 FC





Mirada Small Wall Sconce (XWS)

PHOTOMETRICS (CONT.)

XWS-LED-5L-MTD-40

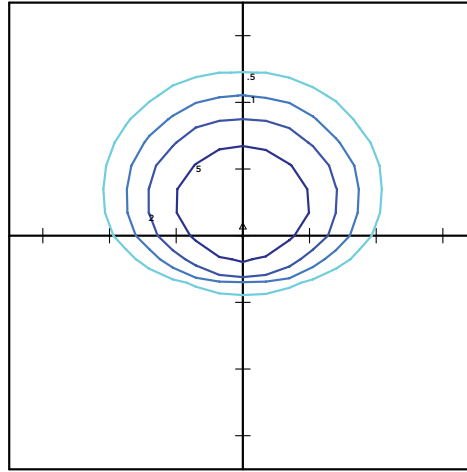
LUMINAIRE DATA

Type MTD Distribution	
Description	4000 Kelvin, 80 CRI
Delivered Lumens	4,330
Watts	39
Efficacy	135
IES Type	Type III - Very Short
BUG Rating	B2-U0-G1

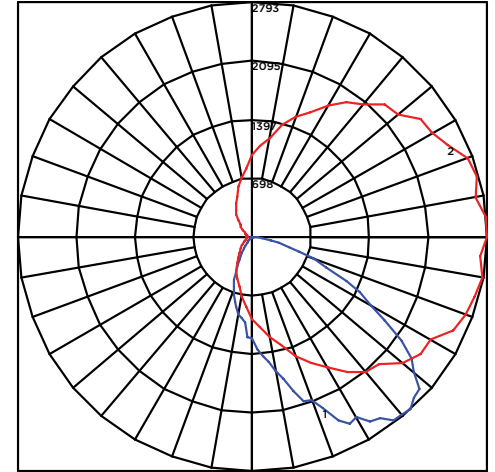
Zonal Lumen Summary

Zone	Lumens	%Luminaire
Low (0-30)°	1387	25%
Medium (30-60)°	2721.4	57%
High (60-80)°	1068	17%
Very High (80-90)°	86.8	1%
Uplight (90-180)°	0	0%
Total Flux	5263	100%

ISO FOOTCANDLE



POLAR CURVE



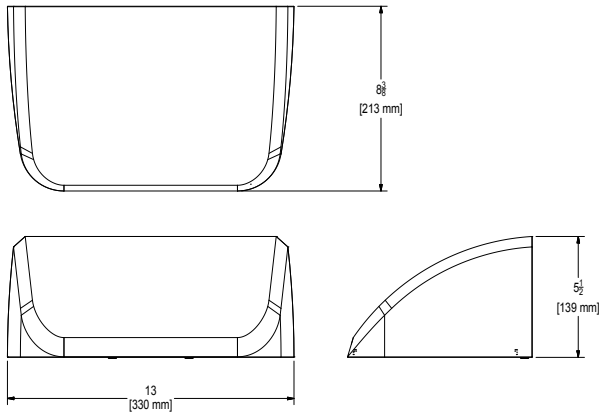
10' Mounting Height/10' Grid Spacing

■ 5 FC
 ■ 2 FC
 ■ 1 FC
 ■ 0.5 FC

PRODUCT DIMENSIONS

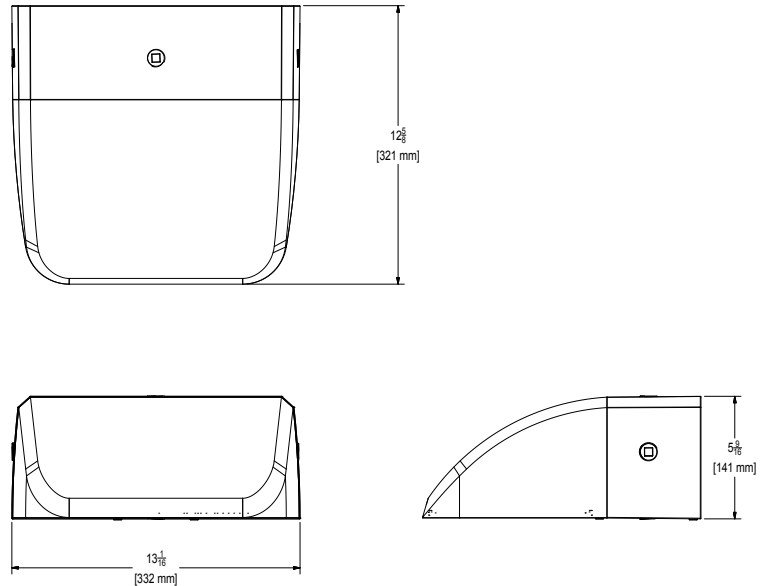
[Back to Quick Links](#)

STANDARD HOUSING

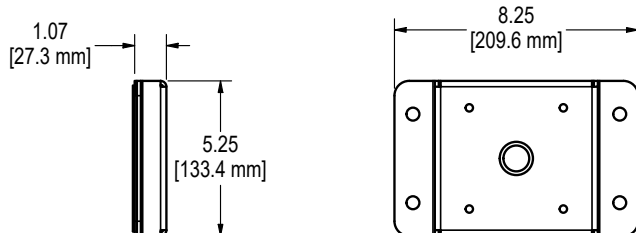


SCWB EXTENDED HOUSING

(Required for Wireless Controls, IMSBT, Battery Backup and 2DP Options)



WALL SPACER PLATE





Mirada Small Wall Sconce (XWS)

CONTROLS

AirLink Wireless Lighting Controller

The AirLink integrated controller is a California Title 24 compliant lighting controller that provides real-time light monitoring and control with utility-grade power monitoring. It includes a 24V sensor input and power supply to connect a sensor into the outdoor AirLink wireless lighting system. The wireless integrated controller is compatible with this fixture.

[Click here to learn more about AirLink.](#)

Integral Bluetooth™ Motion and Photocell Sensor (IMSBT)

Slim low profile sensor provides multi-level control based on motion and/or daylight. Sensor controls 0-10 VDC LED drivers and is rated for cold and wet locations (-30° C to 70° C). Two unique PIR lenses are available and used based on fixture mounting height. All control parameters are adjustable via an iOS or Android App capable of storing and transmitting sensor profiles.

[Click here to learn more about IMSBT.](#)

AirLink Blue

Wireless Bluetooth Mesh Outdoor Lighting Control System that provides energy savings, code compliance and enhanced safety/security for parking lots and parking garages. Three key components; Bluetooth wireless radio/sensor controller, Time Keeper and an iOS App. Capable of grouping multiple fixtures and sensors as well as scheduling time-based events by zone. Radio/Sensor Controller is factory integrated into Area/Site, Wall Mounted, Parking Garage and Canopy luminaires.

[Click here to learn more about AirLink Blue.](#)

