

LED NEXT GENERATION PARKING GARAGE (XNPG)



SMARTTEC™ ENERGY SAVING FEATURES:

THERMAL CONTROL - LSI drivers feature integral sensor which reduces drive current, when ambient temperatures exceed rated temperature.

OCCUPANCY SENSING (IMS) - Optional internal passive infrared motion sensor activated switching of luminaire light levels. High level light is activated when automobile or passerby enters sensor target zone. High light level is increased to full bright in 1-2 seconds upon detection. Low light level (30% of maximum drive current) is activated when target zone is absent of motion activity for ~ 2 minutes. Upon inactivity, light level is gradually ramped down (10-15 sec.) to low level to allow eyes time to adjust. The optic has a coverage range of 40 feet diameter at mounting heights of 8 feet to 12 feet.

DIMMING (DIM) - Optional 0-10v dimming enabled.

BI-LEVEL SWITCHING (BLS) - Optional bi-level switching responds to external line voltage signal from separate controller or sensor, with low light level decreased to 30% maximum drive current.

EXPECTED LIFE - Minimum 60,000 hours to 100,000 hours depending upon the ambient temperature of the installation location. See LSI web site for specific guidance.

LEDS - Features an array of select, high brightness, mid-power, high efficiency LED chips; CW - 5000K color temperature, 70 CRI or NW - 4000K color temperature, 80 CRI.

DISTRIBUTION/PERFORMANCE - Ultra-high efficiency reflectors, Type 5 Narrow (5N), provide solid performance for typical spacing and heights, exceptional uniformity with vertical illumination. Ideal when maximum spacing is desired without sacrificing desired lumen levels. Meets RP20 & G-1 recommendations, while delivering unique control of distribution to minimize glare. Textured lens is standard, to reduce visibility of diodes. 3-14% uplight provided on various versions, to reduce cave effect.

HOUSING - The XNPG features an 8 1/4" profile. Housing is spun aluminum with a gasketed, textured polycarbonate lens providing a water-resistant seal. The weather-tight aluminum enclosure contains factory prewired driver to ensure no water entry and to eliminate the need to open fixture completely. IP65 rating.

MOUNTING - Not intended for recessed mounting in enclosed ceilings. Standard mounting is a rigid 3/4" pendant mount or direct surface mount to a 4" (102mm) octagon box (box by others). Pendant is supplied with 48" leads, while the direct mount is supplied with 8" leads.

ELECTRICAL - Two-stage surge protection (including surge protection built into electronic driver) meets IEEE C62.41.2-2002, Scenario 1, Location Category C. Available with universal voltage power supply (120-277 VAC, 50/60 HZ) and 347-480VAC input. Optional Emergency LED battery back-up is available, which provides power for a minimum of 90 minutes, when primary AC power failure occurs.

DRIVER - Available in Super Saver (SS) and High Output (HO) drive currents. State-of-the-art driver technology provides unsurpassed system efficiency. Driver will operate with input of 120v thru 277V (50/60Hz). Components are fully encased in potting material for **IP65** moisture resistance. Driver complies with IEC and FCC standards.

OPERATING TEMPERATURE - -40°C to 50°C (-40°F to +122°F)

FINISH - Fixtures are finished with LSI's DuraGrip® polyester powder coat finishing process. The DuraGrip finish withstands extreme weather changes without cracking or peeling.

WARRANTY - LSI LED fixtures carry a limited 5-year warranty.

PHOTOMETRICS - Please visit our web site at www.lsi-industries.com for detailed photometric data.

SHIPPING WEIGHT - Direct Mount: 18lbs/8.7kg, Pendant Mount: 17lbs/7.7kg.

LISTING - UL listed to UL 1598, UL8750 and other U.S. and International safety standards. Suitable for wet locations.

| LIGHT OUTPUT - XNPG | | | | |
|---------------------|---------|---------|-------|----|
| Diffused Lens | Lumens | | LPW | |
| | Type 5N | Type 5N | Watts | |
| CW | SS | 4914 | 94 | 52 |
| | HO | 6899 | 87 | 79 |
| NW | SS | 4390 | 84 | 52 |
| | HO | 6099 | 77 | 79 |
| Clear Lens | Lumens | | LPW | |
| | Type 5N | Type 5N | Watts | |
| CW | SS | 5666 | 108 | 52 |
| | HO | 7853 | 99 | 79 |
| NW | SS | 5022 | 96 | 52 |
| | HO | 7009 | 89 | 79 |

LED Chips are frequently updated therefore values may increase.

This product, or selected versions of this product, meet the standards listed below. Please consult factory for your specific requirements.



Project Name _____ Fixture Type _____
 Catalog # _____

06/25/19
 © 2019
 LSI INDUSTRIES INC.

LED NEXT GENERATION PARKING GARAGE (XNPG)

LUMINAIRE ORDERING INFORMATION

TYPICAL ORDER EXAMPLE: **XNPGD 5N LED HO NW UE WHT DIM**

| Prefix | Distribution | Light Source | Drive Current | Color Temperature | Input Voltage | Finish | Optional Controls | Optional Sensors/Option |
|-------------------------------------|--------------------|--------------|-------------------------------------|---|---|---|---|---|
| XNPGD Direct Mount | 5N - 5 Type Narrow | LED | SS -Super Saver HO - High Output | CW - Cool White (5000K) ¹¹ NW - Neutral White (4000K) | UE - Universal Voltage (120-277V) 347- 480v volt | BLK - Black WHT - White MSV - Metallic Silver BRZ - Bronze | Wireless Control System ^{2,3} (blank) - None PCM - Platinum Control System PCMH - Host / Satellite Platinum Control System GCM - Gold Control System GCMH - Host / Satellite Gold Control System ⁴ DIM - 0-10 volt dimming (required for satellite fixtures) <u>Stand-Along Control</u> (blank) - None DIM ⁵ - 0-10V Dimming (from external signal) BLS ⁶ - Bi-level Switching (from external signal - required 120-277v controls system voltage) | Sensor IMS - Integral Motion & Daylight Sensor ⁸ Options BB - Battery Backup ⁹ CWBB - Cold Weather BB ⁹ DFL - Diffused Lens ¹⁰ 3GVB - 3G Vibration Mounting |
| XNPGP Pendant Mount ¹ | | | | | | | | |

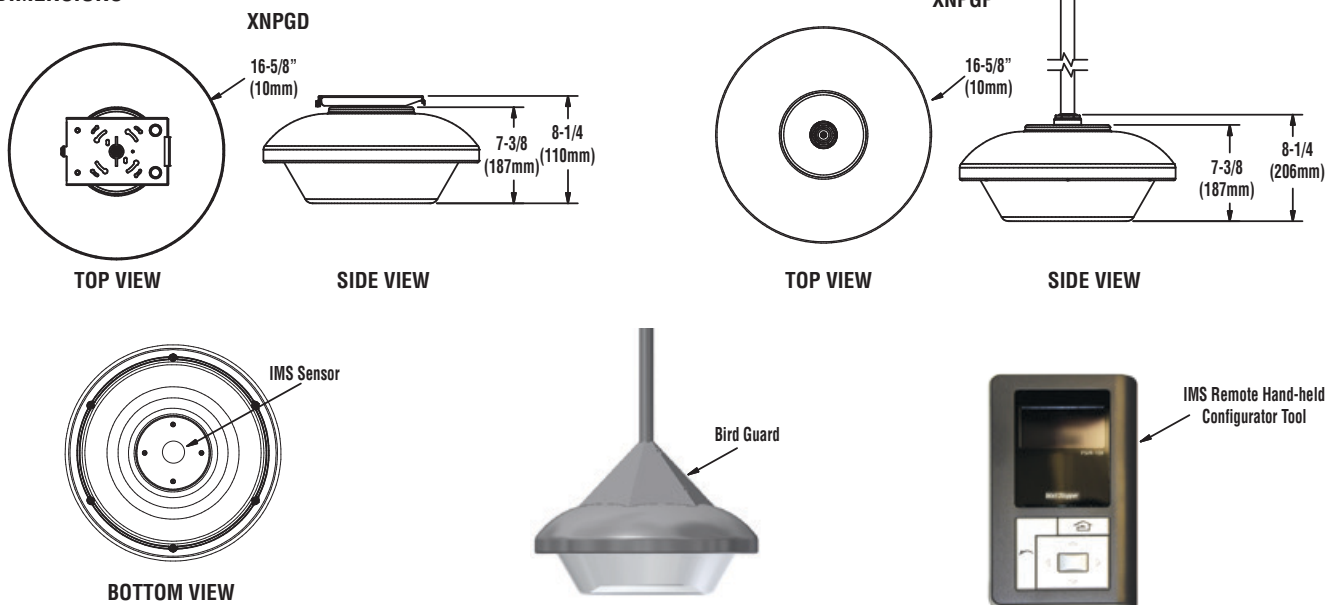
FOOTNOTES:

- 1 - Pendant stems must be ordered separately; specify length.
- 2 - For wireless controls information and accessories, see Controls section.
- 3 - Requires a SiteManager and override switch. Not compatible with BLS or IMS option.
- 4 - Consult factory for available configurations.
- 5 - Not compatible with IMS or BLS option.
- 6 - Not compatible with wireless controls system, DIM or IMS option.
- 7 - Not compatible with wireless controls system, DIM or BLS option.
- 8 - IMS is a dual sensor which includes daylight harvesting & motion. (Wattstopper FSP-211). Sensitivity & timing levels of sensor are adjustable via a handheld remote, which must be ordered separately.
- 9 - Battery Backup & cold weather battery backup available in UE only. Not available with PCM or GCM wireless controls.
- 10 - Diffused lens reduces light output. Consult factory.

ACCESSORY ORDERING INFORMATION (Accessories are field installed)

| Description | Order Number |
|------------------------------------|--------------|
| XNPG Bird Guard | 612884 CLR |
| IMS / IPC Remote Configurator Tool | 584929 |

DIMENSIONS



Project Name _____ Fixture Type _____
 Catalog # _____

06/25/19
 © 2019
 LSI INDUSTRIES INC.