

LED LEXINGTON DECORATIVE AREA LIGHTS (XLXM3)



US patent 782456, 7952293, & 8432108 and US & Int'l. patents pending

SMARTTEC™ - LSI drivers feature integral sensor which reduces drive current, when ambient temperatures exceed rated temperature.

ENERGY SAVING CONTROL OPTIONS - DIM - 0-10 volt dimming enabled with controls by others. BLS - Bi-level switching responds to external line voltage signal from separate 120-277V controller or sensor (by others), with low light level decreased to 30% maximum drive current.

EXPECTED LIFE - Minimum 60,000 hours to 100,000 hours depending upon the ambient temperature of the installation location.

LEDS - Select high-brightness LEDs in Cool White (5000K) or Neutral White (4000K) color temperature, 70CRI.

DISTRIBUTION/PERFORMANCE - Types 3, FT, and 5. Exceptional uniformity creates bright environment at lower light levels. Improved backlight cutoff minimizes light trespass.

HOUSING - One piece housing/support frame is die-cast aluminum. Post top access cover and support arms are die-cast aluminum. Housing is sealed with an extruded silicone gasket.

HOUSING TOP CAP - Removable spun aluminum cap/driver enclosure is retained by captive stainless steel fasteners and safety cables. Housing and top cap interface is sealed with a one-piece extruded silicone gasket. Tool-less entry option is available.

SEALED OPTICAL UNIT - Lens is clear, flat tempered glass, sealed to aluminum optics housing. Pressure stabilizing breather allows super-tight protection while preventing temperature cycling from building up internal pressures and vacuums that can stress optical unit seals and components.

FASTENERS - All exposed fasteners are black oxide coated stainless steel. Internal fasteners are stainless steel or zinc electroplated steel.

ELECTRICAL - Terminal block for attachment of incoming primary wiring is supplied. Two-stage surge protection (including separate surge protection built into electronic driver) meets IEEE C62.41.2-2002, Location Category C. Available with universal voltage power supply 120-277VAC (50/60Hz input), 347VAC and 480VAC. Optional button-type photocells (PCI) are available in 120, 208, 240, 277 or 347 volt (supply voltage must be specified).

DRIVER - Available in Super Saver (SS) and High Output (HO) drive currents (Drive currents are factory programmed). State-of-the-art driver technology designed specifically for LSI LED light sources provides unsurpassed system efficiency. Components are fully encased in potting material for moisture resistance. Driver complies with IEC and FCC standards.

OPERATING TEMPERATURE - -40°C to +50°C (-40°F to +122°F).

MOUNTING - Post Top and Wall mounting available. Pole selection information shown under fixture drawings.

FINISH - Fixtures are finished with LSI's DuraGrip® polyester powder coat finishing process. The DuraGrip finish withstands extreme weather changes without cracking or peeling.

WARRANTY - LSI LED fixtures carry a limited 5-year warranty.

PHOTOMETRICS - Please visit our web site at www.lsi-industries.com for detailed photometric data.

LISTING - Listed to U.S. and Canadian safety standards. Suitable for wet locations.

LIGHT OUTPUT - XLXM3					
POST TOP MOUNT					
	# of LEDS	Type 3	Lumens (Nominal)		Watts
			Type FT	Type 5	(Nominal)
Cool White	SS 64	6180	5570	5240	70
	HO 64	8670	8270	7510	108
Neutral White	SS 64	5930	5350	5150	70
	HO 64	8250	7560	6890	108

LED Chips are frequently updated therefore values may increase.

Also available in traditional light sources

This product, or selected versions of this product, meet the standards listed below. Please consult factory for your specific requirements.



Fixtures comply with ANSI C136.31-2010 American National Standard for Roadway Lighting Equipment - Luminaire Vibration 1.5G requirements.



Project Name _____ Fixture Type _____

Catalog # _____

10/21/15

© 2015

LSI INDUSTRIES INC.

LED LEXINGTON DECORATIVE AREA LIGHTS (XLXM3)

LUMINAIRE ORDERING INFORMATION

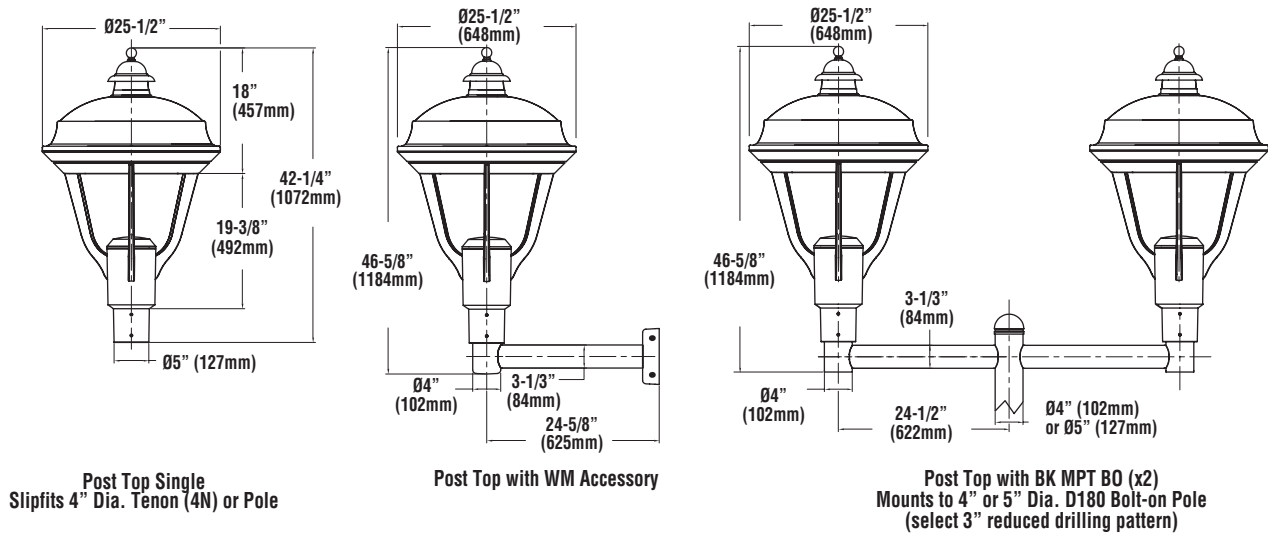
TYPICAL ORDER EXAMPLE: **XLXM3 PT 5 LED HO CW UE MSV PCI120**

Prefix	Mounting Style	Distribution	Light Source	Drive Current	Color Temperature	Input Voltage	Finish	Options
XLXM3	PT - Post Top	3 - Type III FT - Forward Throw 5 - Type V	LED	SS - Super Saver HO - High Output	CW - Cool White (5000K) NW - Neutral White (4000K)	UE - Universal Electronic (120-277V 50/60Hz) 347-480	BRZ - Bronze BLK - Black PLP - Platinum Plus WHT - White SVG - Satin Verde Green GPT - Graphite MSV - Metallic Silver	Button Type Photocells PCI 120 - 120v PCHV208-277 - 208-277v PCI 347 - 347v TE - Tool-less Entry DIM - 0-10V Dimming (from external source) ¹ BLS - Bi-level Switching (from external 120-277V signal) ¹
Accessories								
WM - Wall Mount BK MPT B04 - Medium Bolt on Bracket (for PT 180) For 4" Dia. Round Poles ² BK MPT B05 - Medium Bolt on Bracket (for PT 180) For 5" Dia. Round Poles ²								

FOOTNOTES:

- DIM and BLS cannot be ordered together.
- Order poles with 3" reduced drilling pattern. For PT mounting configurations other than D180, consult factory. Order one bracket per fixture.

DIMENSIONS



		MOUNTING STYLE	
■	PT Single	PT	1.4
■	PT D180° with BK MPT B0 (2)	PT	2.7

Catalog Number	Est. Weight (kg/lbs.)
XLXM3 (PT)	29/64



Project Name _____ Fixture Type _____
 Catalog # _____

10/21/15
 © 2015
 LSI INDUSTRIES INC.