



Catalog # : _____ Project : _____

Prepared By : _____ Date : _____

Slim Wall Pack (WPSLS)

Small LED Slim Wall Pack



OVERVIEW	
Lumen Range	1,000 - 4,000
Wattage Range	12 - 40
Efficacy Range (LPW)	98 - 122
Weight lbs(kg)	3.8 (1.7)

QUICK LINKS

[Ordering Guide](#)

[Performance](#)

[Dimensions](#)

[Photometrics](#)

FEATURES & SPECIFICATIONS

Construction

- Rigid Precision Die cast-aluminum housing for durability and consistency.
- Vertical fins serve as a heat sink and resist accumulation of dust and debris.
- The Patent Pending thermal stacking heat removal technology extracts heat from within the housing moving it away from LEDs and integral components.
- Luminaire hinges open from the bottom to prevent leakage.
- Luminaire is proudly manufactured and tested in the U.S.
- Fixtures are finished with LSI's DuraGrip® polyester powder coat finishing process. The DuraGrip finish withstands extreme weather changes without cracking or peeling. Other standard LSI finishes available. Consult factory
- Shipping weight: 3.8 lbs in carton.

Optical System

- High-performance Chip On Board (COB) LEDs behind clear tempered glass for maximum light output.
- 3000K | 4000K | 5000K color temperatures.
- Minimum CRI of 71.
- Zero uplight.

Electrical

- High-performance driver features over-voltage, under voltage, short-circuit and over temperature protection.
- 0-10 volt dimming (10% - 100%) standard.
- Standard Universal Voltage (120-277 Vac) Input 50/60 Hz
- L70 Calculated Life: >100k Hours
- Total harmonic distortion: <20%
- Power factor: >.85
- Input power stays constant over life.
- Driver Off-State Power is 0 watts.
- Chip On Board (COB) LEDs with integrated circuit board mounted directly to the housing to maximize heat dissipation and promote long life.
- Components are fully encased in potting material for moisture resistance. Driver complies with FCC standards. Driver and key electronic components can easily be accessed.
- Minimum 2.5kV surge rating
- Operating temperature: -40°C to +50°C (-40°F to +122°F)

Controls

- Optional 120V electronic button Photocontrol.
- Apertures for field or factory installed photo-control.

Installation

- Surface mounts direct to J-box or wall.
- Features a bubble level and removable hinged face frame for ease of installation.

Warranty

- LSI LED Fixtures carry a 5-year warranty.
- 1 Year warranty on optional Button Photocell.

Listings

- Listed to UL 1598 and UL 8750.
- CSA Listed
- RoHS Compliant.
- DesignLights Consortium® (DLC) qualified product. Not all versions of this product may be DLC qualified. Please check the DLC Qualified Products List at www.designlights.org/QPL to confirm which versions are qualified.
- American Recovery and Reinvestment Act Funding Compliant.
- Suitable For Wet Locations.

Specifications and dimensions subject to change without notice.





Small LED Slim Wall Pack (WPSLS)

ORDERING GUIDE

[Back to Quick Links](#)

TYPICAL ORDER EXAMPLE: **WPSLS LED 1L UNV DIM 30 PC120 BZA**

Family Prefix	Lumen Package	Color Temp	Controls	Finishes
WPSLS - Small Slim Wall Pack	1L - 1000 Lumens	30 - 3000K	PC120 - 120V Photocontrol	BZA - Bronze
	2L - 2000 Lumens	40 - 4000K	PC208-277 - 208-277V Photocontrol	WHT - White
	4L - 4000 Lumens	50 - 5000K		BLK - Black

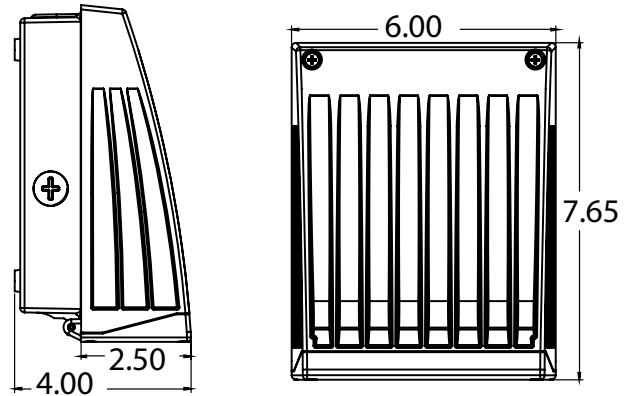
PERFORMANCE

Lumens	3000K		4000K		5000K		Wattage
	Delivered Lumens	Efficacy	Delivered Lumens	Efficacy	Delivered Lumens	Efficacy	
1L	1206	97.79	1206	97.79	1366	111.11	12
2L	2125	107.2	2125	107.2	2418	121.97	20
4L	3712	100.18	3712	100.18	4394	116.21	40

LED		HID			Annual Savings
Wattage	Annual Cost	Source Wattage	Total Wattage Used	Annual Cost	
12	\$5	50	72	\$52	\$47
		70	90	\$59	\$54
20	\$9	50	72	\$52	\$43
		70	90	\$59	\$50
		100	129	\$77	\$68
40	\$18	100	129	\$77	\$59
		150	185	\$100	\$82
		175	210	\$112	\$94

PRODUCT DIMENSIONS

[Back to Quick Links](#)



PHOTOMETRICS

[Back to Quick Links](#)

Luminaire photometry has been conducted by a NVLAP accredited testing laboratory in accordance with IESNA LM-79-08. As specified by IESNA LM-79-08 the entire luminaire is tested as the source resulting in a luminaire efficiency of 100%. See <http://www.lsi-industries.com/products/led-lighting-solutions.aspx> for detailed photometric data.

WPSLS-4L-40

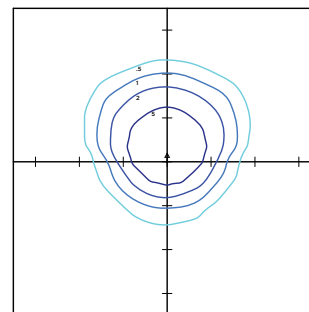
Luminaire Data

Wide Distribution	
Description	4000 Kelvin, 70 CRI
Delivered Lumens	4,053
Watts	37.0
Efficacy	109
IES Type	Type III - Very Short
BUG Rating	B1-U0-G1

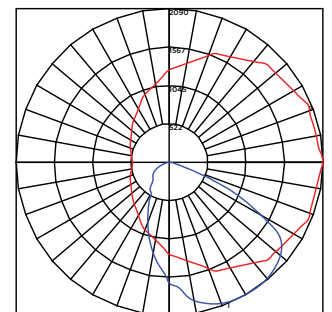
Zonal Lumen Summary

Zone	Lumens	%Luminaire
Low (0-30°)	1239.6	30.6%
Medium (30-60°)	2246.2	55.4%
High (60-80°)	559.6	13.8%
Very High (80-90°)	7.3	0.2%
Uplight (90-180°)	0.0	0.0%
Total Flux	4052.7	100%

ISO FOOTCANDLE PLOT



POLAR CURVE



10' Mounting Height/10' Grid Spacing

■ 10 FC ■ 5 FC ■ 2 FC ■ 1 FC

