

Catalog # :

Project :

Prepared By :

Date :



WLS Small LED Wall Light

Manufactured with high density, 100% pure aluminum ingot resulting in greater durability and better thermal conductivity. These patented designs, with labor saving features, retain a familiar form with attractive architectural styling and external airflow fins.

Features & Specifications

Optical System

- Using the latest high brightness, high LED count technology, more usable light output is produced while eliminating glare.
- The fixture design directs more light down and forward without wasting lumens and offensive light.
- Available in 3000K, 4000K & 5000K color temperature.
- Minimum CRI of 82

Electrical

- High-performance driver features over-voltage, under voltage, short-circuit and over temperature protection.
- 0-10 volt dimming (10% - 100%) standard.
- Standard Universal Voltage (120-277 Vac) Input 50/60 Hz
- L70 Calculated Life: >100k Hours
- Total harmonic distortion: <20%
- Power factor: >.85
- Input power stays constant over life.
- Driver Off-State Power is 0 watts.
- Components are fully encased in potting material for moisture resistance. Driver complies with FCC standards. Driver and key electronic components can easily be accessed.
- Minimum 2.5kV surge rating

Controls

- Optional 120V electronic button Photocontrol.
- Apertures for field or factory installed photocontrol.

Construction

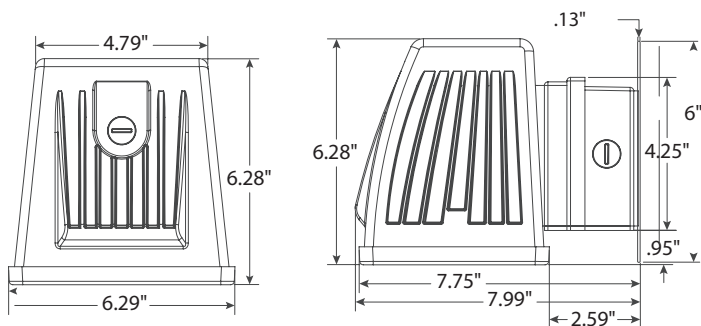
- Designed for commercial and industrial applications, providing cooler operating temperatures, brighter light and longer LED life.
- Manufactured w/ 100% pure aluminum and 0% remelt.
- Apertures for field or factory installed photocontrol.
- Patent pending thermal stacking technology system features a unique internal design that allows for lower operating temperatures which results in a brighter, whiter light, more stable color and longer LED and driver life.
- LSI LEDs provide higher lumen output, greater energy efficiency and more reliable fixture performance.



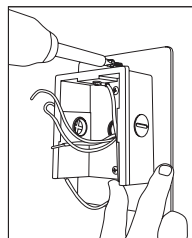
Dimmable



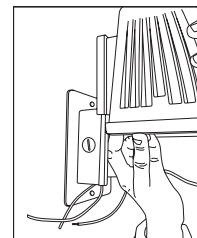
Dimensions Design is Protected by US Patent D710,530



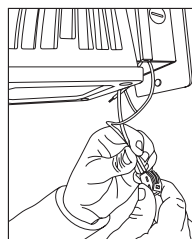
Mounting Protected by US Patent D752,274



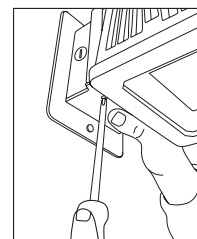
Secure Mounting Plate with back box to wall



Slide fixture housing onto mounting box



Connect wires & return them to mounting box



Replace bottom plate on quick mount box



Features & Specifications (Cont.)

- LEDs manufactured for the WLS series utilize Epoxy Guard conformal coating which reduces the chance of board corrosion.
- Weight: 7.5 lbs.

Warranty

- LSI LED Fixtures carry a 5-year warranty.
- 1 Year warranty on optional Button Photocell.

Listings

- Listed to UL 1598 and UL 8750.
- CSA Listed
- RoHS Compliant.
- American Recovery and Reinvestment Act Funding Compliant.
- Suitable For Wet Locations.
- DesignLights Consortium Premium qualified luminaire, eligible for rebates from DLC member utilities.

Installation

- Labor-saving quick mount box with apertures for continuous wiring.

Finishes

- Bronze is standard. Consult factory for pricing and lead time for other options.

Performance

Lumens	3000K		4000K		5000K		Wattage
	Delivered Lumens	Efficacy	Delivered Lumens	Efficacy	Delivered Lumens	Efficacy	
1L	1629	120.74	1629	120.74	1682	124.60	13.91
3L	3132	113.66	3132	113.66	3261	118.41	27.56

Energy Savings

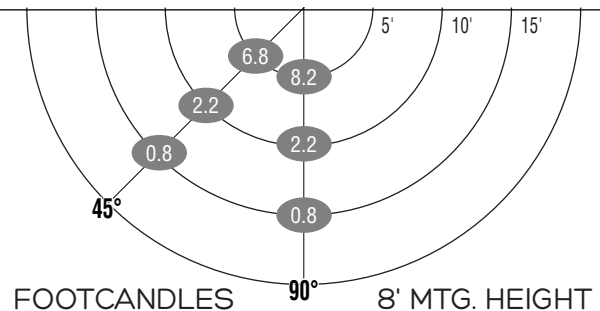
LED		HID			
Wattage	Annual Cost	Source Wattage	Total Wattage Used	Annual Cost	Annual Savings
13	\$6	50	72	\$52	\$46
		70	90	\$59	\$53
27	\$12	100	129	\$77	\$64

DLC Listings

Lumens	3000K	4000K	5000K
	DLC Prod. ID	DLC Prod. ID	DLC Prod. ID
1L	PLCOX1LN4RQ3	PLZEJYJ9065	PL9E8KHTW1TX
3L	PLZCGACMALFY	PL529KDZCZ4T	PLYHSC7SR6YS

DesignLights Consortium Premium qualified luminaires, eligible for rebates from DLC member utilities.

Photometrics- 3L



Mounting Height	90°			45°			Avg FCs 450 sq. feet
	5'	10'	15'	5'	10'	15'	
8'	8.2	2.2	0.8	6.8	2.2	0.8	3.5
10'	6.2	2.5	1.0	5.4	2.3	1.0	3.1

Luminaire Ordering Guide

TYPICAL ORDER EXAMPLE: **WLS LED 1L UNV DIM 30 BZA**

Family Prefix	Lumen Package	Voltage	Dimming	Color Temp	Color Rendering	Finishes	Options/Controls
WLS LED - Small LED Wall Light	1L = 1,000 Lumens 3L = 3,000 Lumens	UNV = Universal (120V-277V)	DIM = Dim to 10% (0 to 10V)	30 = 3000K 40 = 4000K 50 = 5000K	Blank = 80 Color Rendering Index	BZA = Bronze WHT = White BLK = Black	PC120 - 120V Button Photocontrol PC208-277 - 208-277V Photocontrol