



Catalog # : _____ Project : _____

Prepared By : _____ Date : _____

Universal Replacement

Round Straight



QUICK LINKS

[Ordering Guide](#)[Configurations](#)[Dimensions](#)[EPA](#)

FEATURES & SPECIFICATIONS

Pole Shaft

- Steel round poles are 4" or 5" in diameter.
- Pole shaft is electro-welded ASTM-A500 Grade C steel tubing with a minimum yield strength of 46,000 psi.
- On Tenon Mount steel poles, tenon is high-strength pipe. Tenon N option is 2-3/8" O.D. x 4-3/4" tall. Tenon 4N option is 4" O.D. x 4-7/8" tall.

Hand-Hole

- Standard hand-hole location is 12" above pole base.
- Poles 18' and above have a 3" x 6" reinforced hand-hole. Shorter poles have 2" x 4" non-reinforced hand-hole.

Base

- Pole base is ASTM-A36 hot-rolled steel plate with a minimum yield strength of 36,000 psi.
- Two-piece square base cover is optional. Decorative base cover is also available.

Anchor Bolts

- Poles are furnished with anchor bolts featuring zinc-plated double nuts and washers. Galvanized anchor bolts are optional.
- Anchor bolts conform to ASTM F 1554-07a Grade 55 with a minimum yield strength of 55,000 psi.

Ground Lug

- Ground lug is standard.

Duplex Receptacle

- Weatherproof duplex receptacle is optional.

Ground Fault Circuit Interrupter

- Self-testing ground fault circuit interrupter is optional.

Finishes

- Every pole is provided with the DuraGrip® Protection System and a 5-year limited warranty:
- When the top-of-the line DuraGrip® Plus Protection System is selected, in addition to the DuraGrip® Protection System, a non-porous, automotive-grade corrosion coating is applied to the lower portion of the pole interior, sealing and further protecting it from corrosion. This option extends the limited warranty to 7 years.

Determining The Luminaire/Pole Combination For Your Application:

- Select luminaire from luminaire ordering information
- Select bracket configuration if required
- Determine EPA value from luminaire/bracket EPA chart
- Select pole height
- Select MPH to match wind speed in the application area (See windspeed maps).
- Confirm pole EPA equal to or exceeding value of luminaire/bracket EPA
- Consult factory for special wind load requirements and banner brackets

Pole Vibration Damper

- A pole vibration damper is recommended in open terrain areas of the country where low steady state winds are common.
- Non-tapered poles and lightly loaded poles are more susceptible to destructive vibration if a damper is not installed.

Listings

- UL Listed
- BAA/TAA Compliant





ORDERING GUIDE

[Back to Quick Links](#)

TYPICAL ORDER EXAMPLE: **5RPU B3 S07G 24 S PLP DGP**

Pole Series	Mounting Method	Material	Height ⁴	Mounting Configuration	Pole Finish	Options
4RPU - 4" Diameter Round Straight Pole 5RPU - 5" Diameter Round Straight Pole	Bolt-On Mount¹ - See pole selection guide for patterns and fixture matches. B5 - 5" Traditional Drilling Pattern B3 - 3" Reduced Drilling Pattern B2 - 2" Reduced Drilling Pattern	S11G – 11 Ga. Steel (5RP only) S10G – 10 Ga. Steel (4RP only) S07G – 07 Ga. Steel (5RP only)	8'	S – Single/Parallel D180 – Double D90 – Double DN90 – Double T90 – Triple TN120 – Triple Q90 – Quad QN90 – Quad	BRZ – Bronze BLK – Black PLP – Platinum Plus WHT – White SVG – Satin Verde Green GPT – Graphite MSV – Metallic Silver BZA – Alternate Bronze	GA – Galvanized Anchor Bolts SF – Single Flood ⁶ DF – Double Flood ⁶ DGP – DuraGrip [®] Plus LAB – Less Anchor Bolts
	T - Tenon Mount - See pole selection guide for tenon and fixture/bracket matches.		10' 12' 14' 15' 16' 17' 17' 6" 18' 20' 22' 22' 6" 24' 25' 26' 27' 28' 30'			
	I - No Mounting Holes ¹ - Use with: <ul style="list-style-type: none"> Greenlee Lifestyle CC, SC & CH mounting styles Enterprise & Lexington PT Single mounting styles² Lifestyle UCLS Lifestyle UCLD180 					Standard SF and DF pole preparations are located 3/4 of the height of the pole from the base, except on 20' poles. Maximum height for SF and DF pole preparations on 20' poles is 13' from the base.

Height Restriction, Consult Pole Selection Chart on opposite page

Accessory Ordering Information

Description	Order Number	Description	Order Number
4" SRBC Square Base Cover	158450CLR	MH3 - Mounting Hole Plugs for use with 3" reduced drill pattern (3 sets of 3 plugs)	681126
5" SRBC Square Base Cover (11ga and 7ga)	749059CLR	MH2 - Mounting Hole Plugs for use with 2" reduced drill pattern (3 sets of 3 plugs)	725841
4" /5" GBC Decorative Base Cover	483859CLR	BB - Banner Brackets	Consult Factory for EPA calculations
ER2 – Weatherproof Duplex Receptacle (Poles below 18')	122557CLR		
ER2 – Weatherproof Duplex Receptacle for Reinforced Hand-hole (Poles 18' and above)	122566CLR		
GFI – Ground Fault Circuit Interrupter (Poles below 18')	122558CLR		
GFI – Ground Fault Circuit Interrupter for Reinforced Hand-hole (Poles 18' and above)	22567CLR		
MH5 - Mounting Hole Plugs for use with 5" traditional drill pattern (3 set of 3 plugs)	132336		

FOOTNOTES:

- See Area Light Brackets - 3" Reduced Drill Pattern and Area Light Brackets - 5" Traditional Drill Pattern spec sheets.
- For Enterprise and Lexington PT mounting configuration styles, see Tenon Mount (4N) and Greenlee Slipfit Pole Series (4RPI).
- Standard flat black pole cap provided. Domed Greenlee pole cap will ship with SA4 and SA5 Enterprise and Lexington fixtures, SA Lifestyle fixtures, BK SPT BO, BK MPT BO and UCL brackets.

- Pole heights will have a +/- 1/2" tolerance. Max height for 4RPU is 24'. Max height of the 5RPU S11G is 26'.
- For Enterprise and Lexington D180 or other mounting configuration styles using BK SPT BO and BK MPT BO accessories, see chart on Bolt-on Mount 4RPB3 / 5RPB3 DRILLING PATTERN section on pole selection chart.
- See Flood Lighting Brackets section for choice of FBO brackets.



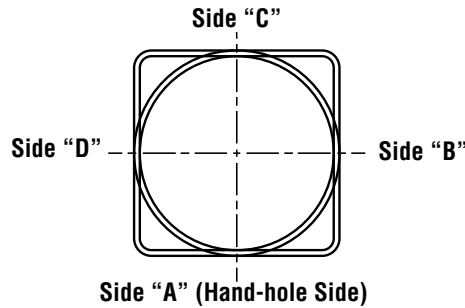


Universal Replacement - Round Straight

DRILLING LOCATIONS

[Back to Quick Links](#)

Sides	A	B	C	D
Hand-hole	X			
Single	X			
D180	X		X	
D90	X			X
DN90 ¹				
T90	X	X		X
TN120 ²	X			
Q90	X	X	X	X
QN90 ³				
Single FBO	X			
Double FBO		X		X

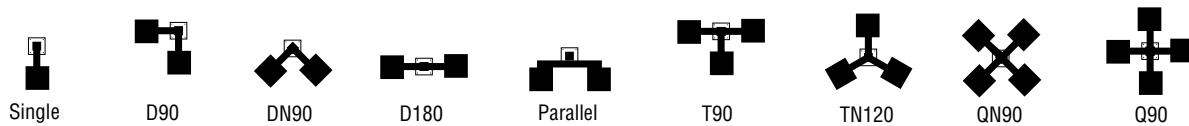


NOTES:

- 1 - Two locations will be 45° to the left and right of Side A.
- 2 - Other two locations will be 120° to the left and right of Side A.
- 3 - Two locations will be 45° to the left and right of Side A and two locations will be 135° to the left and right of Side A.

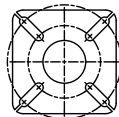
Consult factory for custom variations. Standard SF and DF pole preparations are located 3/4 of the height of the pole from the base, except on 20' poles. Maximum height for SF and DF pole preparations on 20' poles is 13' from the base.

FIXTURE CONFIGURATIONS



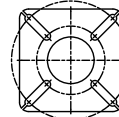
BOLT CIRCLE

4" (102mm) Round
10" (254mm) sq.



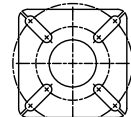
11" (279mm) Dia. Bolt Circle
K

5" (127mm) Round
11-1/4" (286mm) sq.



13" (330mm) Dia. Bolt Circle
P

5" (127mm) Round
11-3/4" (298mm) sq.



13" (330mm) Dia. Bolt Circle
R

Bolt Circle Designator	K	P	R
Bolt Circle	Slotted 7" - 11" (178mm-279mm)	Slotted 7-1/2" - 13" (191mm-330mm)	Slotted 8" - 13" (203mm-330mm)
Anchor Bolt Size	3/4" x 30" (19mm x 762mm)	3/4" x 30" (19mm x 762mm)	1" x 36" (25mm x 914mm)
Anchor Bolt Projection	3-1/4" (83mm)	3-1/4" (83mm)	4" (102mm)
Base Plate Opening for Wireway Entry	4-1/8" (105mm)	5-1/8" (130mm)	5-1/8" (130mm)
Base Plate Dimensions	10" sq. x 3/4" thk. (254mm x 19mm)	11-1/4" sq. x 3/4" thk. (286mm x 19mm)	11-3/4" sq. x 1" thk. (298mm x 25mm)
Pole Gauge	10	11	7

Note: Base plate illustrations may change without notice. Do not use for setting anchor bolts. Consult factory for the appropriate anchor bolt template.





Universal Replacement - Round Straight

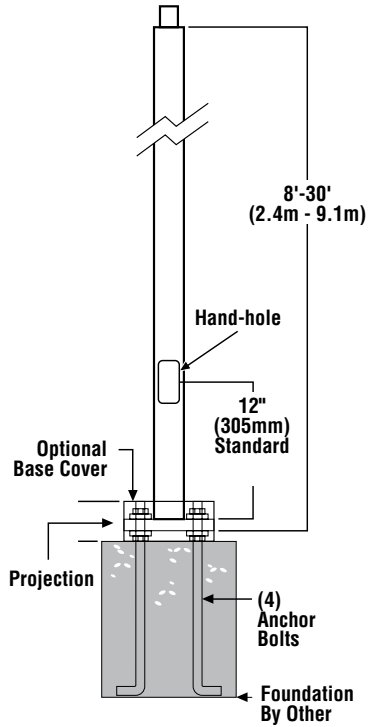
PRODUCT DIMENSIONS

RPT -

N = 2-3/8"(60mm) O.D. x 4-3/4"(121mm) Tenon

4N = 4"(102mm) O.D. x 4-7/8"(124mm) Tenon

4N6 = 4"(102mm) O.D. x 6-3/8"(162mm) Tenon



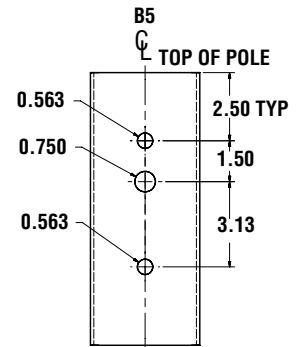
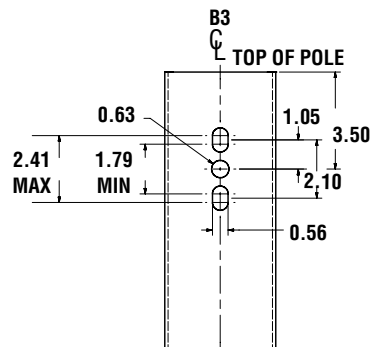
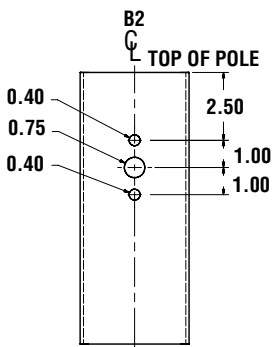
SF -
Single Flood
Pole Preparation



SHIPPING WEIGHTS

4" (102mm) Dia. 10 Ga. is approximately	6.0 lbs./ft.
5" (127mm) Dia. 11 Ga. is approximately	7.0 lbs./ft.
5" (127mm) Dia. 07 Ga. is approximately	10.0 lbs./ft.
Anchor Bolts (3/4" x 30")(19mm x 762mm)	15 lbs.(7kg)/set
Anchor Bolts (1" x 36")(125mm x 914mm)	30 lbs.(14kg)/set

Bolt-On Mount 2-Bolt Pattern





Universal Replacement - Round Straight

WIND SPEED

EPA Information

All LSI Industries' poles are guaranteed to meet the EPA requirements listed. LSI Industries is not responsible if a pole order has a lower EPA rating than the indicated wind-loading zone where the pole will be located.

CAUTION: This guarantee does not apply if the pole/bracket/fixture combination is used to support any other items such as flags, pennants, or signs, which would add stress to the pole. LSI Industries cannot accept responsibility for harm or damage caused in these situations.

NOTE: Pole calculations include a 1.3 gust factor over steady wind velocity. Example: poles designed to withstand 80 MPH steady wind will withstand gusts to 104 MPH. EPAs are for locations 100 miles away from hurricane ocean lines. Consult LSI for other areas. Note: Hurricane ocean lines are the Atlantic and Gulf of Mexico coastal areas. For applications in Florida or Canada, consult factory.

Use ONLY with "Wind Speed Map for ASCE 7-10

POLE ¹	Mtg. Height Length (ft)	Wall Thick (ga)	BOLT CIRCLE			EPA								
			Designator	Dia. (in)	Anchor bolt Dia (in)	110 MPH	115 MPH	120 MPH	130 MPH	140 MPH	150 MPH	160 MPH	170 MPH	180 MPH
4' x 10-ga x 14'	14	10	K	7"	0.75	11.4	10.2	9.1	7.7	6.6	5.6	4.9	4.2	3.7
4' x 10-ga x 14'	14	10	K	11"	0.75	11.4	10.2	9.1	7.7	6.6	5.6	4.9	4.2	3.7
4' x 10-ga x 16'	16	10	K	7"	0.75	8.9	7.9	7.1	5.9	5.0	4.2	3.6	3.1	2.7
4' x 10-ga x 16'	16	10	K	11"	0.75	8.9	7.9	7.1	5.9	5.0	4.2	3.6	3.1	2.7
4' x 10-ga x 18'	18	10	K	7"	0.75	7.8	6.8	6.1	5.0	4.2	3.5	3.0	2.6	2.2
4' x 10-ga x 18'	18	10	K	11"	0.75	7.8	6.8	6.1	5.0	4.2	3.5	3.0	2.6	2.2
4' x 10-ga x 20'	20	10	K	7"	0.75	6.0	5.2	4.6	3.8	3.1	2.6	2.1	1.8	1.5
4' x 10-ga x 20'	20	10	K	11"	0.75	6.0	5.2	4.6	3.8	3.1	2.6	2.1	1.8	1.5
4' x 10-ga x 22'	22	10	K	7"	0.75	4.6	3.9	3.4	2.7	2.1	1.7	1.4	1.1	0.9
4' x 10-ga x 22'	22	10	K	11"	0.75	4.6	3.9	3.4	2.7	2.1	1.7	1.4	1.1	0.9
4' x 10-ga x 24'	24	10	K	7"	0.75	3.4	2.7	2.3	1.7	1.3	1.0	0.7	0.5	-
4' x 10-ga x 24'	24	10	K	11"	0.75	3.4	2.7	2.3	1.7	1.3	1.0	0.7	0.5	-
5' x 11-ga x 16'	16	11	P	7.5"	0.75	8.8	8.0	7.2	6.0	5.1	4.3	3.7	3.2	2.8
5' x 11-ga x 16'	16	11	P	13"	0.75	8.8	8.0	7.2	6.0	5.1	4.3	3.7	3.2	2.8
5' x 11-ga x 18'	18	11	P	7.5"	0.75	12.3	11.2	10.1	8.5	7.2	6.2	5.3	4.6	4.1
5' x 11-ga x 18'	18	11	P	13"	0.75	12.3	11.2	10.1	8.5	7.2	6.2	5.3	4.6	4.1
5' x 11-ga x 20'	20	11	P	7.5"	0.75	10.0	9.0	8.3	6.9	5.8	4.9	4.2	3.6	3.2
5' x 11-ga x 20'	20	11	P	13"	0.75	10.0	9.0	8.3	6.9	5.8	4.9	4.2	3.6	3.2
5' x 11-ga x 22'	22	11	P	7.5"	0.75	8.2	7.3	6.6	5.5	4.6	3.9	3.3	2.8	2.4
5' x 11-ga x 22'	22	11	P	13"	0.75	8.2	7.3	6.6	5.5	4.6	3.9	3.3	2.8	2.4
5' x 11-ga x 24'	24	11	P	7.5"	0.75	6.6	5.9	5.3	4.3	3.5	2.9	2.5	2.1	1.7
5' x 11-ga x 24'	24	11	P	13"	0.75	6.6	5.9	5.3	4.3	3.5	2.9	2.5	2.1	1.7
5' x 11-ga x 26'	26	11	P	7.5"	0.75	5.2	4.6	4.1	3.3	2.6	2.1	1.7	1.4	1.2
5' x 11-ga x 26'	26	11	P	13"	0.75	5.2	4.6	4.1	3.3	2.6	2.1	1.7	1.4	1.2
5' x 7-ga x 18'	18	7	R	8"	0.75	15.5	14.3	13.0	10.9	9.3	8.0	6.9	6.0	5.3
5' x 7-ga x 18'	18	7	R	10"	0.75	19.6	18.0	16.5	13.9	11.8	10.2	8.8	7.7	6.9
5' x 7-ga x 18'	18	7	R	13"	0.75	19.7	18.0	16.5	13.9	11.8	10.2	8.8	7.7	6.9
5' x 7-ga x 18'	18	7	R	8"	1	19.7	18.0	16.5	13.9	11.8	10.2	8.8	7.7	6.9
5' x 7-ga x 20'	20	7	R	8"	0.75	13.0	11.8	10.8	9.0	7.6	6.5	5.6	4.9	4.3
5' x 7-ga x 20'	20	7	R	10"	0.75	16.5	15.1	13.8	11.6	9.8	8.4	7.3	6.4	5.6
5' x 7-ga x 20'	20	7	R	13"	0.75	16.5	15.1	13.8	11.6	9.8	8.4	7.3	6.4	5.6
5' x 7-ga x 20'	20	7	R	8"	1	16.5	15.1	13.8	11.6	9.8	8.4	7.3	6.4	5.6
5' x 7-ga x 20'	20	7	R	13"	1	16.5	15.1	13.8	11.6	9.8	8.4	7.3	6.4	5.6



Universal Replacement - Round Straight

WIND SPEED

POLE ¹	Mtg. Height Length (ft)	Wall Thick (ga)	BOLT CIRCLE			EPA								
			Designator	Dia. (in)	Anchor bolt Dia (in)	110 MPH	115 MPH	120 MPH	130 MPH	140 MPH	150 MPH	160 MPH	170 MPH	180 MPH
5' x 7-ga x 22'	22	7	R	8"	0.75	10.8	9.8	8.8	7.3	6.2	5.2	4.5	3.9	3.4
5' x 7-ga x 22'	22	7	R	13"	0.75	14.0	12.6	11.6	9.7	8.2	7.0	6.0	5.2	4.6
5' x 7-ga x 22'	22	7	R	8"	1	14.0	12.6	11.6	9.7	8.2	7.0	6.0	5.2	4.6
5' x 7-ga x 22'	22	7	R	13"	1	14.0	12.6	11.6	9.7	8.2	7.0	6.0	5.2	4.6
5' x 7-ga x 24'	24	7	R	8"	0.75	9.0	8.0	7.3	6.0	5.0	4.2	3.6	3.1	2.6
5' x 7-ga x 24'	24	7	R	13"	0.75	11.7	10.7	9.7	8.0	6.8	5.8	5.0	4.3	3.7
5' x 7-ga x 24'	24	7	R	8"	1	11.7	10.7	9.7	8.0	6.8	5.8	5.0	4.3	3.7
5' x 7-ga x 24'	24	7	R	13"	1	11.7	10.7	9.7	8.0	6.8	5.8	5.0	4.3	3.7
5' x 7-ga x 26'	26	7	R	8"	0.75	7.3	6.5	5.9	4.8	4.0	3.3	2.8	2.3	2.0
5' x 7-ga x 26'	26	7	R	13"	0.75	10.0	9.0	8.0	6.7	5.6	4.7	4.0	3.4	3.0
5' x 7-ga x 26'	26	7	R	8"	1	10.0	9.0	8.0	6.7	5.6	4.7	4.0	3.4	3.0
5' x 7-ga x 26'	26	7	R	13"	1	10.0	9.0	8.0	6.7	5.6	4.7	4.0	3.4	3.0
5' x 7-ga x 28'	28	7	R	8"	0.75	5.9	5.2	4.7	3.8	3.0	2.5	2.0	1.7	1.4
5' x 7-ga x 28'	28	7	R	13"	0.75	8.2	7.4	6.7	5.5	4.5	3.8	3.2	2.7	2.3
5' x 7-ga x 28'	28	7	R	8"	1	8.2	7.4	6.7	5.5	4.5	3.8	3.2	2.7	2.3
5' x 7-ga x 28'	28	7	R	13"	1	8.2	7.4	6.7	5.5	4.5	3.8	3.2	2.7	2.3
5' x 7-ga x 30'	30	7	R	8"	0.75	4.7	4.1	3.6	2.8	2.2	1.8	1.4	1.1	0.8
5' x 7-ga x 30'	30	7	R	13"	0.75	6.9	6.1	5.5	4.4	3.6	2.9	2.4	2.0	1.7
5' x 7-ga x 30'	30	7	R	8"	1	6.9	6.1	5.5	4.4	3.6	2.9	2.4	2.0	1.7
5' x 7-ga x 30'	30	7	R	13"	1	6.9	6.1	5.5	4.4	3.6	2.9	2.4	2.0	1.7

All LSI Industries' poles are guaranteed to meet the EPA requirements listed. LSI Industries is not responsible if a pole order has a lower EPA rating than the indicated wind-loading zone where the pole will be located.

CAUTION: This guarantee does not apply if the pole/bracket/fixture combination is used to support any other items such as flags, pennants, or signs, which would add stress to the pole. LSI Industries cannot accept responsibility for harm or damage caused in these situations.

Note:

1- Poles shorter than these listed here in for each gauge have EPA rating equal to or greater than what is provided in this table. To Confirm EPA ratings on shorter poles, contact LSI Industries.

