



Catalog #: _____ Project: _____

Prepared By: _____ Date: _____ Type: _____

Traditional Flood Small (TSFL)

Outdoor Flood Light



OVERVIEW

Lumen Package	1,000 - 3,000
Wattage Range	14-28
Efficacy Range (LPW)	93 - 125
Weight lbs (kg)	7 lbs

QUICK LINKS

[Ordering Guide](#)[Performance](#)[Photometrics](#)[Dimensions](#)

FEATURES & SPECIFICATIONS

Construction

- Rigid Precision Die cast-aluminum housing for durability and consistency.
- Vertical fins serve as a heat sink and resist accumulation of dust and debris.
- The Patent Pending thermal stacking heat removal technology extracts heat from within the housing moving it away from LEDs and integral components.
- Luminaire is proudly manufactured and tested in the U.S.
- Fixtures are finished with LSI's DuraGrip® polyester powder coat finishing process. The DuraGrip finish withstands extreme weather changes without cracking or peeling. Other standard LSI finishes available. Consult factory
- Shipping weight: 7.0 lbs in carton

Optical System

- LSI flood lights utilize individual lenses for maximum light intensity.
- Lenses are made of optical grade acrylic guaranteeing more footcandles, less glare and less wasted light.
- LSI flood lights extra wide distribution pattern is designed to provide maximum light spread for short set backs when lighting signs and washing walls.
- Minimum CRI of 70

Electrical

- High-performance driver features over-voltage, under voltage, short-circuit and over temperature protection.
- 0-10 volt dimming (10% - 100%) standard.
- Standard Universal Voltage (120-277 Vac) Input 50/60 Hz
- L70 Calculated Life: >100k Hours
- Total harmonic distortion: <20%
- Power factor: >.85
- Input power stays constant over life.
- Driver Off-State Power is 0 watts.
- Components are fully encased in potting material for moisture resistance. Driver complies with FCC standards. Driver and key electronic components can easily be accessed.
- Minimum 2.5kV surge rating
- Operating temperature: -40°C to +50°C (-40°F to +122°F).

Controls

- Optional electronic button Photocontrol.
- Apertures for field or factory installed photocontrol.

Warranty

- LSI luminaires carry a 5-year limited warranty. Refer to <https://www.lsiindustries.com/resources/terms-and-warranty.aspx> for more information.

Listings

- Listed to UL 1598 and UL 8750.
- CSA Listed
- RoHS Compliant.
- Suitable For Wet Locations
- DesignLights Consortium® qualified luminaire, eligible for rebates from DLC member utilities.





Traditional Flood Small

ORDERING GUIDE

[Back to Quick Links](#)TYPICAL ORDER EXAMPLE: **TSFL LED 3L W UNV DIM 40 BZA PCI120**

Prefix	Lumen Package	Distribution	Voltage	Dimming	Color Temperature	Color Rendering	Finishes	Options/Controls
TSFL LED - Small LED Flood Light	2L - 2,000 Lumens	(Blank) - Flood Optic (6x6)	UNV - Universal Voltage (120-277V)	DIM - Dim to 10% (0 to 10V)	30 - 3,000K CCT 40 - 4,000K CCT 50 - 5,000K CCT	Blank - 70 Color Rendering Index	BZA - Bronze BLK - Black WHT - White	PC120 - 120V Photocontrol PC208-277 - 208V - 277V Photocontrol
TSFL LED - Small LED Flood Light	1L - 1,000 Lumens 3L - 3,000 Lumens	W - Extra Wide (7x7)						

* Additional lead time

PERFORMANCE

[Back to Quick Links](#)

DELIVERED LUMENS*									
Lumens	Distribution	CRI	3000K CCT		4000K CCT		5000K CCT		Wattage
			Delivered Lumens	Efficacy	Delivered Lumens	Efficacy	Delivered Lumens	Efficacy	
1L	W	70	1629	121	1629	121	1682	125	14
2L	F	70	1978	93	1978	93	2194	103	21
3L	W	70	3132	114	3132	114	3261	118	28

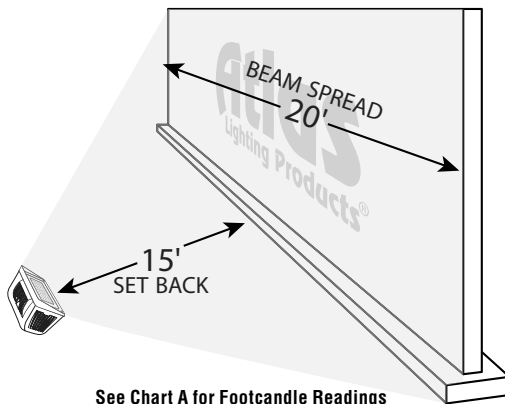
*LEDs are frequently updated therefore values are nominal.

ENERGY SAVINGS					
LED		HID			Annual Savings
Wattage	Annual Cost	Source Wattage	Total Wattage Used	Annual Cost	
13	\$6	50	72	\$52	\$46
27	\$12	70	90	\$59	\$47
27	\$12	100	129	\$77	\$65

DLC LISTINGS			
Lumens	3000K	4000K	5000K
	DLC Prod. ID	DLC Prod. ID	DLC Prod. ID
1L	PLJ32A6LCN7G	PLHCV0YXCT4B	PLWSER5KXJ4B
3L	PLBSGBDATMYK	PLTJJTWUJ83H	PLTEBALAK4XJ

DesignLights Consortium Premium qualified luminaires, eligible for rebates from DLC member utilities.

PHOTOMETRICS

[Back to Quick Links](#)

FOOTCANDLE READINGS (CHART A)				
Lumens	0'	5'	10'	15'
1L	3.36	2.73	1.63	-
3L	3.83	3.41	2.49	1.63



Type: _____

Traditional Flood Small

PRODUCT DIMENSIONS

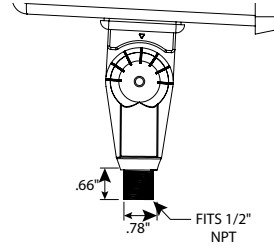
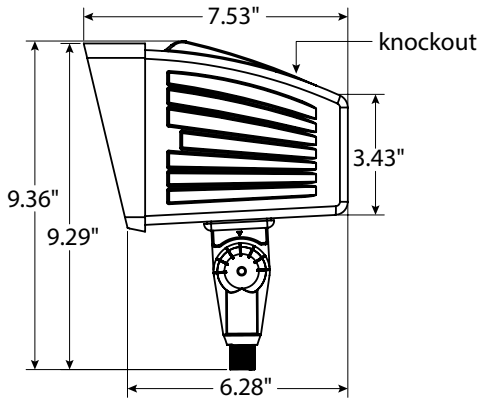
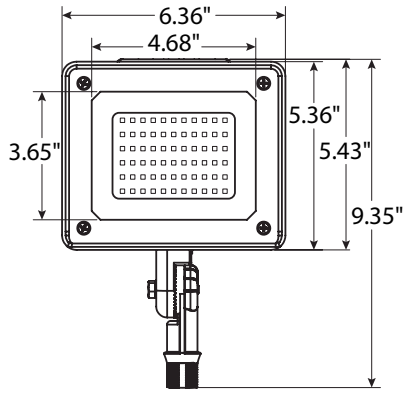
[Back to Quick Links](#)

Weight

7 lbs.

EPA

0.33



Knuckle (standard)

Mounting Accessory

PT - Post Top Fitter (item # 660385)

