



Traditional Flood Medium (TMFL)

Outdoor Flood Light



OVERVIEW

Lumen Package	4,000 - 7,000
Wattage Range	43 - 64
Efficacy Range (LPW)	97 - 121
Weight lbs (kg)	10 lbs

QUICK LINKS

[Ordering Guide](#)[Performance](#)[Photometrics](#)[Dimensions](#)

FEATURES & SPECIFICATIONS

Construction

- Rigid Precision Die cast-aluminum housing for durability and consistency.
- Vertical fins serve as a heat sink and resist accumulation of dust and debris.
- The Patent Pending thermal stacking heat removal technology extracts heat from within the housing moving it away from LEDs and integral components.
- Luminaire is proudly manufactured and tested in the U.S.
- Fixtures are finished with LSI's DuraGrip® polyester powder coat finishing process. The DuraGrip finish withstands extreme weather changes without cracking or peeling. Other standard LSI finishes available. Consult factory.

Optical System

- Flood optic version utilizes high grade acrylic lenses that focuses light providing illumination on target, less glare and less wasted light
- Extra wide distribution pattern is designed to provide maximum light spread for short set backs when lighting signs and washing walls.
- Minimum CRI of 70

Electrical

- High-performance driver features over-voltage, under voltage, short-circuit and over temperature protection.
- 0-10 volt dimming (10% - 100%) standard.
- Standard Universal Voltage (120-277 Vac) Input 50/60 Hz
- L70 Calculated Life: >100k Hours
- Total harmonic distortion: <20%
- Power factor: >.85
- Input power stays constant over life.
- Driver Off-State Power is 0 watts.
- Components are fully encased in potting material for moisture resistance. Driver complies with FCC standards. Driver and key electronic components can easily be accessed
- Minimum 2.5kV surge rating.

Warranty

- LSI luminaires carry a 5-year limited warranty. Refer to <https://www.lsiindustries.com/resources/terms-and-warranty.aspx> for more information.

Listings

- Listed to UL 1598 and UL 8750.
- Meets Buy American Act requirements.
- Title 24 Compliant; see local ordinance for qualification information.
- Suitable for wet locations.
- DesignLights Consortium® qualified luminaire, eligible for rebates from DLC member utilities.





Traditional Flood Medium

ORDERING GUIDE

[Back to Quick Links](#)TYPICAL ORDER EXAMPLE: **TMFL LED 7L W UNV DIM 40 BZA TR**

Prefix	Lumen Package	Distribution	Voltage	Dimming	Color Temperature	Finishes	Options/Controls
TMFL LED - Medium LED Flood Light	4L - 4,000 Lumens	blank - Flood Optic (6x6)	UNV - Universal Voltage (120-277V) HV - High Voltage (347-480V)	DIM - Dim to 10% (0 to 10V)	30 - 3,000K CCT 40 - 4,000K CCT 50 - 5,000K CCT	BZA - Bronze BLK - Black* WHT - White*	PCI120 - 120V Photocontrol PCI208-277 - 208V - 277V Photocontrol
	5L - 5,000 Lumens						
	7L - 7,000 Lumens	W - Extra Wide (7x7)					

* Additional lead time

PERFORMANCE

[Back to Quick Links](#)

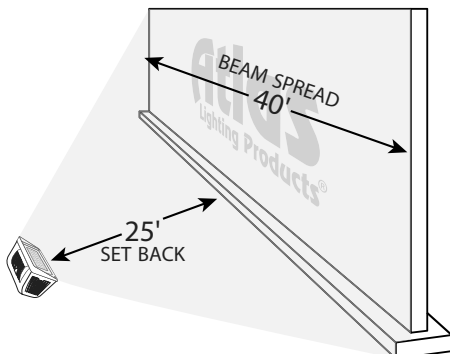
DELIVERED LUMENS*									
Lumens	Distribution	CRI	3000K CCT		4000K CCT		5000K CCT		Wattage
			Delivered Lumens	Efficacy	Delivered Lumens	Efficacy	Delivered Lumens	Efficacy	
4L	F	70	4,010	97	4,010	97	4,343	105	41
5L	W	70	5,025	116	5,025	116	5,229	121	43
7L	W	70	6,983	114	6,983	114	7,237	118	61

*LEDs are frequently updated therefore values are nominal.

ENERGY SAVINGS					
LED		HID			Annual Savings
Wattage	Annual Cost	Source Wattage	Total Wattage Used	Annual Cost	
43	\$19	150	185	\$100	\$81
43	\$19	175	210	\$112	\$93
64	\$28	200	232	\$128	\$100
64	\$28	250	285	\$150	\$122

DLC LISTINGS			
Lumens	3000K	4000K	5000K
	DLC Prod. ID	DLC Prod. ID	DLC Prod. ID
5L	PLPZDKQIUZ98	PLQ3L55N3XEV	PLKIEZREWRAP
7L	PLQS1Z114DHE	PLONUZZKER8U5	PLY1JF7Q5JIN

PHOTOMETRICS

[Back to Quick Links](#)

See Chart A for Footcandle Readings

FOOTCANDLE READINGS (CHART A)					
Lumens	0'	5'	10'	15'	20'
5L	3.9	3.6	3.0	2.2	1.6
7L	6.0	5.5	4.5	3.3	2.3



Traditional Flood Medium

[Back to Quick Links](#)

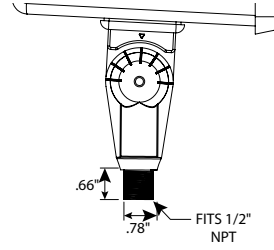
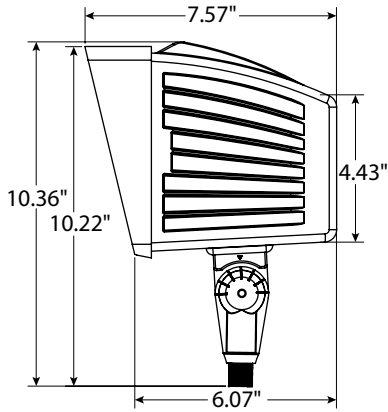
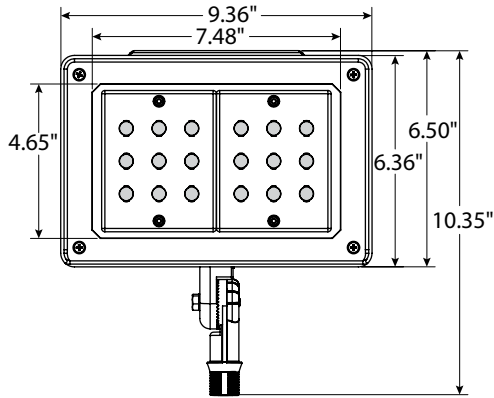
PRODUCT DIMENSIONS

Weight

10 lbs.

EPA

0.47



Knuckle (standard)

Mounting Accessory

PT - Post Top Fitter (item # 660385)

