



Catalog #: _____ Project: _____

Prepared By: _____ Date: _____ Type: _____

Traditional Flood Large (TLFL)

Outdoor Flood Light



OVERVIEW	
Lumen Package	9,000 - 16,000
Wattage Range	62 - 121
Efficacy Range (LPW)	119 - 157
Weight lbs (kg)	12 lbs

QUICK LINKS

[Ordering Guide](#)

[Performance](#)

[Photometrics](#)

[Dimensions](#)

FEATURES & SPECIFICATIONS

Construction

- Rugged die-cast aluminum housing.
- Available with heavy duty knuckle or trunnion. Knuckle mount can also be ordered with a tenon top adapter (see accessory ordering information on page 3).
- Luminaire is proudly manufactured and tested in the U.S
- Fixtures are finished with LSI's DuraGrip® polyester powder coat finishing process. The DuraGrip finish withstands extreme weather changes without cracking or peeling. Other finishes available. Consult factory.

Optical System

- Two distribution choices - Flood Optic (6x6) or Extra Wide (7x7).
- Flood Optic lens is made of optical grade acrylic for increased efficiency and optical precision.
- LED modules are positioned within the housing to reduce glare and direct light to its desired location.
- Available in 5000K, 4000K, and 3000K

color temperatures per ANSI C78.377.

- Minimum CRI of 70

Electrical

- 0-10V dimming (10% - 100%) standard.
- Standard Universal Voltage (120-277 VAC) Input 50/60 Hz or optional High Voltage (347-480 VAC).
- L70 Calculated Life: >200k Hours
- Total harmonic distortion: <20%
- Operating temperature: -40°C to +40°C (-40°F to +104°F).
- Power factor: >0.90
- Input power stays constant over life.

Installation

- Knuckle mount to metal 1/2" NPT. Vertical or Horizontal adjustment via aiming screws and locknut.
- Trunnion mount to any surface with 5/16" bolts (provided by others).
- Factory or field installable button photocell.

Warranty

- LSI luminaires carry a 5-year limited warranty. Refer to <https://www.lsiindustries.com/resources/terms-and-warranty.aspx> for more information.

Listings

- Listed to UL 1598 and UL 8750.
- Meets Buy American Act requirements.
- Title 24 Compliant; see local ordinance for qualification information.
- Suitable for wet locations.
- DesignLights Consortium® (DLC) qualified product. Not all versions of this product may be DLC qualified. Please check the DLC Qualified Products List at www.designlights.org/QPL to confirm which versions are qualified.





Traditional Flood Large

ORDERING GUIDE

[Back to Quick Links](#)TYPICAL ORDER EXAMPLE: **TLFL 16L F UNV DIM 40 BZA KN PCI120**

Prefix	Lumen Package	Distribution	Voltage	Dimming	Color Temperature	Color Rendering	Finishes	Mounting	Options/Controls
TLFL - Large LED Flood Light	9L - 9,000 Lumens	F - Flood Optic (6x6) W - Extra Wide (7x7)	UNV - Universal Voltage (120-277V) HV - High Voltage (347-480V)	DIM - Dim to 10% (0 to 10V)	30 - 3,000K CCT 40 - 4,000K CCT 50 - 5,000K CCT	Blank - 70 CRI	BZA - Bronze BLK - Black* WHT - White* SV - Silver*	KN - Knuckle TR - Trunnion	PCI120 - 120V Photocontrol PCI208-277 - 208V - 277V Photocontrol
	12L - 12,000 Lumens								
	16L - 16,000 Lumens								

* Additional lead time

PERFORMANCE

[Back to Quick Links](#)

DELIVERED LUMENS*									
Lumens	Distribution	CRI	3000K CCT		4000K CCT		5000K CCT		Wattage
			Delivered Lumens	Efficacy	Delivered Lumens	Efficacy	Delivered Lumens	Efficacy	
9L	F	70	8,654	140	9,047	146	8,871	143	62
	W		9,267	150	9,711	157	9,366	152	
12L	F	70	12,224	130	12,779	136	12,530	133	94
	W		12,991	139	13,613	145	13,129	140	
16L	F	70	15,010	119	15,691	127	15,386	127	121
	W		16,456	130	17,244	137	16,631	132	

*LEDs are frequently updated therefore values are nominal.

ELECTRICAL DATA*						
Lumens	120V	208V	240V	277V	347	480V
9L	0.52	0.30	0.26	0.22	0.18	0.13
12L	0.78	0.45	0.39	0.34	0.27	0.20
16L	1.01	0.58	0.51	0.44	0.35	0.25

*Electrical data at 25C (77F). Actual wattage may differ by +/-10%.





Traditional Flood Large

[Back to Quick Links](#)

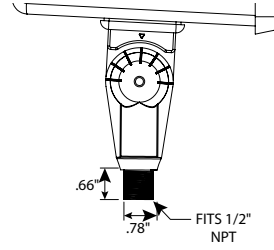
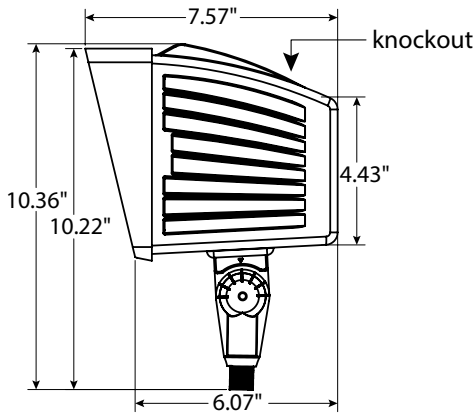
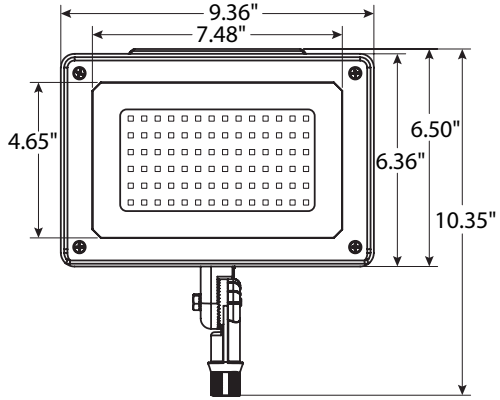
PRODUCT DIMENSIONS

Weight

10 lbs.

EPA

0.47



Knuckle (standard)

Mounting Accessory

Tenon Top Fitter (item #660385)

