



LED TRADITIONAL WALLPACKS (SWPM)



CONSTRUCTION: Precision die-cast aluminum housing with stainless steel hardware, tempered borosilicate glass refractor and ingress resistant gasket. Knock-out on housing for available button photocell accessory

LEDs: Select High-performance LEDs. Color temperature available in 5000K and 4000K

CRI: Reference below Technical / Lumen Output chart

ELECTRICAL: Class 2 driver has universal voltage (120-277V, 50/60 Hz) input. 10Kv surge protection standard.

DIMMING: 0-10 volt dimming, standard

OPERATING TEMPERATURE: -35° through 40°C (-31° through 104°F)

PHOTOCELL: 120-277 photocell standard with cover.

DISTRIBUTION: Highly specular forward throw reflector

FINISH: Chip and fade resistant powder coat finish

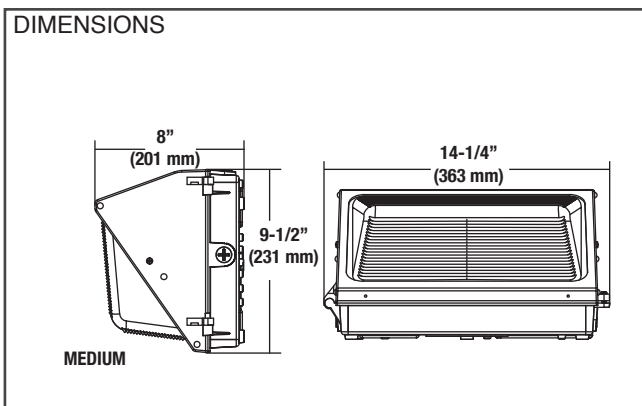
PHOTOMETRICS: Please visit our web site at www.lsi-industries.com for detailed photometric data

INSTALLATION: Luminaire features a back plate designed to be easily mounted to a 4" square electrical junction box

EXPECTED LIFE: Minimum 50,000 hours

WARRANTY: Limited 5-year warranty

LISTING: UL listed to U.S. and Canadian safety standards. Suitable for wet locations.



TECHNICAL INFORMATION

SWPM	PL1		PL2	
Color Temperature	4000K	5000K	4000K	5000K
System Wattage	50w	50w	68w	68w
Replaces	150w HID	150w HID	250w HID	250w HID
Lumens	4837 lms	5018 lms	6237 lms	6365 lms
Lumens Per Watt	98 lpw	100 lpw	92 lpw	94 lpw
CRI	80	80	84	83
Dimensions (Inches)	7.5" x 14.3" x 9.2"			
Weight	8.82 lbs.			





LED TRADITIONAL WALLPACKS (SWPM)

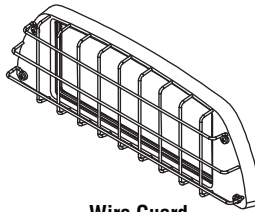
LUMINAIRE ORDERING INFORMATION

TYPICAL ORDER EXAMPLE: **SWPM WB LED PL1 40 UE BRZ PD**

Prefix	Distribution	Light Source	Drive Current	Color Temperature	Input Voltage	Finish ¹	Controls
SWPM (Medium LED Wall Pack)	WB - Wide Beam Flood	LED	PL1 - Performance Level 1 PL2 - Performance Level 2	40 - 4000K 50 - 5000K	UE - Universal Voltage (120-277V)	BRZ - Bronze	PD - Photocell Dimming

1. Black, white and specialty finishes available. Consult factory for prices and lead time.

ACCESSORIES ORDERING INFORMATION	
Order Number	Description
SWPMWG - Medium Wire Guard	



Wire Guard

BUG Listing

SWPM - TYPE WB

Perform. Level	Color Temp. *	Lumens	Watts	LER	BUG Rating
PL1	40	4837	50	98	B1-U4-G3
	50	5018	50	100	B1-U4-G3
PL2	40	6239	68	92	B1-U4-G4
	50	6364	68	94	B1-U4-G4

* Color Temperature: 40-4000K, 50-5000K



Project Name _____ Fixture Type _____ Cat# _____