



SW-Series

Industrial-Grade High-Performance Stairwell Fixture



OVERVIEW	
Form Factors (ft)	2, 4
Lumen Range (lm)	1,800 - 8,200, Custom
CCT (K)	3000, 3500, 4000, 5000
Wattage Range (W)	16 - 62
Efficacy Range (LPW)	116 - 140
Weight lbs (kg)	2ft - 7 (3.2) 4ft - 12 (5.4)

QUICK LINKS

[Ordering Guide](#)[Performance](#)[Dimensions](#)

FEATURES & SPECIFICATIONS

Construction

- Housing made of cold rolled die formed steel for strength and durability
- High impact diffuse polycarbonate lens. Meets IK07 impact rating.
- Housing is treated with rust inhibitor post-fabrication. High-reflectance white polyester powder coating maximizes performance.
- Vandal resistant design using tamper-proof hardware
- Dust and insect tight

Optical System

- Prismatic high-transmission cover lens for optimal performance and visual comfort
- Polycarbonate lens material for maximum impact resistance
- Minimum color rendering index of 80
- Up to 1% enhanced dimming

Electrical

- High-performance programmable driver features overvoltage, under voltage, short-circuit and over temperature protection. Custom lumen and wattage options available

- Meets FCC Part 15 EMI/EMC requirements
- Bi-level dimming (OFF/ 10%/ 25%/ 50%) standard with integrated ultrasonic sensor IMUS.
- Standard Universal Voltage (120-277 VAC) Input 50/60 or optional High Voltage (347 VAC)
- L70 Calculated Life: >100K hours
- Total Harmonic Distortion: <20%
- Power factor: >.95
- Optional 120-277V 10W integral emergency battery pack is available to meet critical life-safety standby lighting requirements. Self diagnostic test capable. CEC Title 20 and 24 compliant

Controls

- Every unit ships with a factory-installed ultrasonic motion sensor
- Available with AirLink™ Blue. AirLink Blue (ALB) is a low-power wireless Bluetooth mesh control system. ALB provides significant energy savings while ensuring code compliance and security. The integrated fixture sensor module can control multiple luminaires based on motion or daylight and events can be scheduled based on time of day or an astronomical clock.

- 360 degree coverage to detect motion throughout stairwells
- Field-configurable light levels to maximize energy savings
- See page 2 for more details.

Installation

- Wall or ceiling mount
- Side or top stem mount using trade size knockouts (stem supplied by others)

Warranty

- Complete warranty terms located at <https://www.lsicorp.com/resources/terms-conditions-warranty/>
- 1 Year warranty on optional Battery Backup. Test regularly in accordance with local codes

Listings

- Listed to UL 1598 and UL 8750
- Suitable for damp locations
- BAA/TAA compliant
- Title 20, Title 24 compliant





Industrial-Grade High-Performance Stairwell Fixture (SW)

ORDERING GUIDE

[Back to Quick Links](#)TYPICAL ORDER EXAMPLE: **SW4 60L 850 UNV IMUS EM**

Prefix	Length	Light Output	CCT & CRI	Voltage	Sensor	Controls	Options
SW	2 - 2ft	20L - 2,000 Lumens	830 - 3000K, 80 CRI min.	UNV - 120-277V HV - 347V	IMUS - Integral Motion Ultrasonic Sensor standard	Blank - Bi-level dimming (OFF/ 10%/ 25%/ 50%) standard with integrated ultrasonic sensor IMUS. ALBC - Integrated AirLink™ Blue Controller ALBCUS - Integrated AirLink™ Blue Ultrasonic Motion Sensor and Photocell	Blank - None EM - 10W Battery Backup
	2 - 2ft	30L - 3,000 Lumens	835 - 3500K, 80 CRI min.				
	2 - 2ft	35L - 3,500 Lumens	840 - 4000K, 80 CRI min.				
	4 - 4ft	35L - 3,500 Lumens	850 - 5000K, 80 CRI min.				
	4 - 4ft	50L - 5,000 Lumens					
	4 - 4ft	60L - 6,000 Lumens					
	4 - 4ft	80L - 8,000 Lumens					

FOOTNOTES:

- 1 - Custom lumen packages available, please consult factory.
- 2 - Consult factory for lead times or custom color options.
- 3 - 3500lm available in both 2ft and 4ft.

PERFORMANCE

[Back to Quick Links](#)

DELIVERED LUMENS ¹										
Length	Lumen Package	Wattage	3000K		3500K		4000K		5000K	
			Delivered Lumens	Efficacy	Delivered Lumens	Efficacy	Delivered Lumens	Efficacy	Delivered Lumens	Efficacy
2'	20L	16	1,856	116	1,918	119	1,968	123	2,032	127
2'	30L	23	2,737	119	2,852	124	2,967	129	3,036	132
2'	35L	28	3,276	117	3,388	121	3,522	125	3,640	130
4'	35L	26	3,276	126	3,357	129	3,500	134	3,593	138
4'	45L	34	4,216	124	4,352	128	4,509	132	4,556	134
4'	50L	36	4,644	129	4,788	133	5,011	139	5,040	140
4'	60L	44	5,544	126	5,720	130	5,940	135	6,028	137
4'	80L	62	7,502	121	7,750	125	8,044	129	8,184	132

FOOTNOTES:

- 1 - All values are subject to ±10% variation based on production tolerances

CONTROLS

Integral Motion Ultrasonic Sensor (IMUS)

LSI's "IMUS" ultrasonic motion sensor is a 0-10V fixture-integrated sensor for standalone lighting control. Configurable settings include length of time delays, sensor range and dimming level using DIP switches and trimpots. IMUS is designed for 8 -12 ft mounting height and an operating ambient temperature range of -22°F to 158°F (-30°C to 70°C).

Default settings:

DIM LEVEL = OFF.

Time Delay = 1min.

Detection range = 18ft.

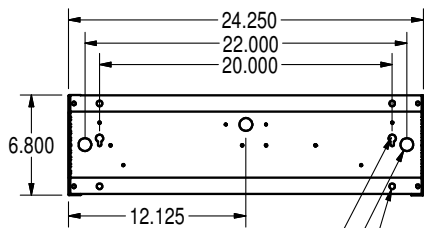
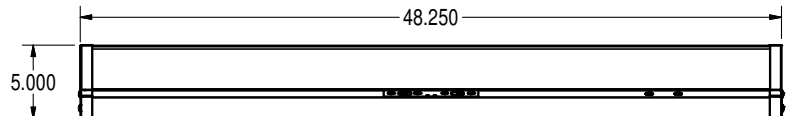
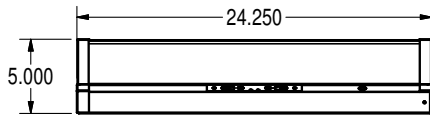
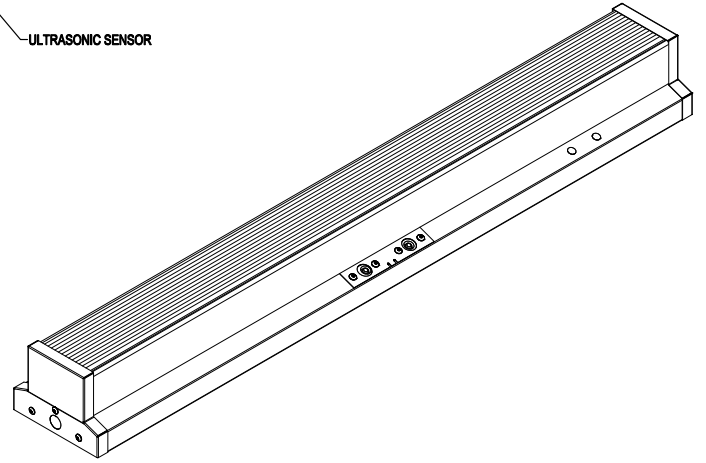
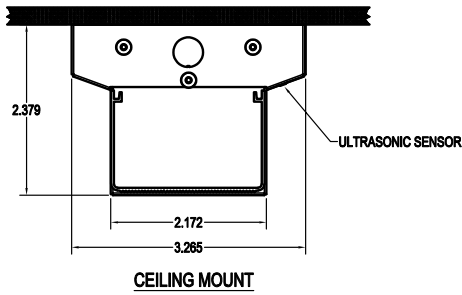
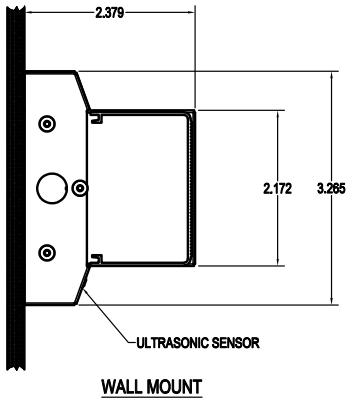
[Click here to learn more about IMUS.](#)



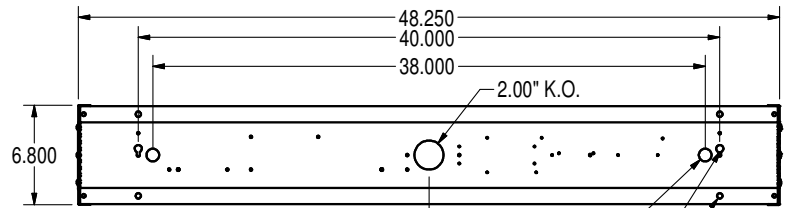
Industrial-Grade High-Performance Stairwell Fixture (SW)

PRODUCT DIMENSIONS

[Back to Quick Links](#)



KEY HOLE DETAIL(X2)(WALL MOUNT DETAIL)
.875" K.O.(X3)
Ø0.375(X4)(WALL MOUNT DETAIL)



.875" KO(X2)
KEY HOLE DETAIL(X2)(WALL MOUNT DETAIL)
Ø0.375(X4) (WALL MOUNT HOLE)

