



Steel Poles

Square Straight - Direct Burial



QUICK LINKS

[Ordering Guide](#)[Configurations](#)[Dimensions](#)[EPA](#)

FEATURES & SPECIFICATIONS

Pole Shaft

- Straight poles are 4" or 5" square.
- Pole shaft is electro-welded ASTM-A500 Grade C steel tubing with a minimum yield strength of 50,000 psi.
- On Tenon Mount steel poles, tenon is 2-3/8" O.D. high-strength pipe. Tenon is 4-3/4" in length.

Hand-Hole

- Standard hand-hole location is 12" above ground line.
- Poles 22' and above have a 3" x 6" reinforced hand-hole. Shorter poles have a 2" x 4" non-reinforced hand-hole.

Above Grade Wiring Access

- A conduit access coupling is located 12" above ground line opposite side of the hand hole.

Below Grade Wiring Access

- A 2" x 4" oval hole is located 18" below the ground line on side "C" of the pole.

Ground Lug

- Ground lug is standard.

Duplex Receptacle

- Weatherproof duplex receptacle is optional.

Ground Fault Circuit Interrupter

- Self-testing Ground fault circuit interrupter is optional.

Finishes

- Every pole is provided with the DuraGrip® Protection System and a 5-year limited warranty:
- When the top-of-the line DuraGrip® Plus Protection System is selected, in addition to the DuraGrip® Protection System, a nonporous, automotive-grade corrosion coating is applied to the lower portion of the pole interior, sealing and further protecting it from corrosion. This option extends the limited warranty to 7 years.

Determining The Luminaire/Pole Combination For Your Application:

- Select luminaire from luminaire ordering information
- Select bracket configuration if required
- Determine EPA value from luminaire/bracket EPA chart
- Select pole height
- Select MPH to match wind speed in the application area (See windspeed maps).
- Confirm pole EPA equal to or exceeding value of luminaire/bracket EPA
- Consult factory for special wind load requirements and banner brackets

Pole Vibration Damper

- A pole vibration damper is recommended in open terrain areas of the country where low steady state winds are common.
- Non-tapered poles and lightly loaded poles are more susceptible to destructive vibration if a damper is not installed.

Listings

- UL Listed
- BAA/TAA Compliant





Steel Poles Square Straight - Direct Burial

ORDERING GUIDE

[Back to Quick Links](#)

TYPICAL ORDER EXAMPLE: **5SQDB B3 S07G 24 S PLP DGP**

Pole Series	Mounting Method	Material	Height ²	Mounting Configuration	Pole Finish	Options
4SQDB - 4" x 4" Square Straight Pole 5SQDB - 5" x 5" Square Straight Pole	Bolt-On Mount¹ - See pole selection guide for patterns and fixture matches. B5 - 5" Traditional drilling pattern B3 - 3" Reduced drilling pattern B2 - 2" Reduced drilling pattern	S11G - 11 Ga. Steel (4SQDB and 5SQDB only) S07G - 07 Ga. Steel	10' 12' 14' 16' 18' 20' 22' 24' 26' 28' 30'	S - Single/Parallel D180 - Double D90 - Double DN90 - Double T90 - Triple TN120 - Triple Q90 - Quad QN90 - Quad N - Tenon Mount (Standard tenon size is 2-3/8" O.D.)	BRZ - Bronze BLK - Black PLP - Platinum Plus WHT - White SVG - Satin Verde Green GPT - Graphite MSV - Metallic Silver BZA - Alternate Bronze	SF - Single Flood ³ DF - Double Flood ³ DGP - DuraGrip [®] Plus
	T - Tenon Mount - See pole selection guide for tenon and fixture/bracket matches.					<div style="border: 1px solid black; padding: 5px;"> Standard SF and DF pole preparations are located 3/4 of the height of the pole from the base, except on 20' poles. Maximum height for SF and DF pole preparations on 20' poles is 13' from the base. </div>
	I - No Mounting Holes ¹ - Use with: <ul style="list-style-type: none"> • BKA 4ISF & BKA 5ISF • BKA X4ISF & BKA X5ISF 			<div style="border: 1px solid black; padding: 5px;"> Height Restriction, Consult Pole EPA Chart on opposite page </div>		

Accessory Ordering Information

Description	Order Number
ER2 - Weatherproof Duplex Receptacle	122566CLR
GFI - Ground Fault Circuit Interrupter	122567CLR
MH5 - mounting Hole Plugs for use with 5" traditional drill pattern (3 set of 3 plugs)	132336
MH3 - mounting Hole Plugs for use with 3" reduced drill pattern (3 set of 3 plugs)	681126
MH2 - Mounting Hole Plugs for use with 2" reduced drill pattern (3 sets of 3 plugs)	725841
Vibration Damper - 4" Square Pole (bolt-on mount only)	172539
Vibration Damper - 5" Square Pole (bolt-on mount only)	172538

FOOTNOTES:

- 1 - See Area Light Brackets - 3" Reduced Drill Pattern and Area Light Brackets - 5" Traditional Drill Pattern spec sheets.
- 2 - Pole heights will have +/- 1/2" tolerance.
- 3 - See Flood Lighting Brackets section for choice of FBO brackets.



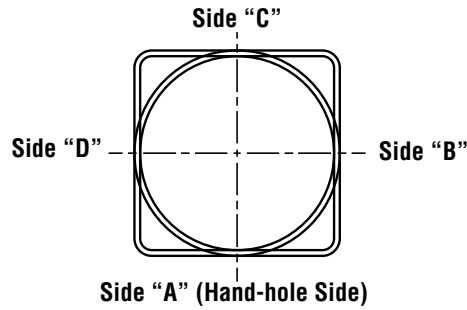


Steel Poles Square Straight - Direct Burial

DRILLING LOCATIONS

[Back to Quick Links](#)

Sides	A	B	C	D
Hand-hole	X			
Single	X			
D180		X		X
D90	X			X
DN90 ¹				
T90	X	X		X
TN120 ²				
Q90	X	X	X	X
QN90 ³				
Single FBO	X			
Double FBO		X		X

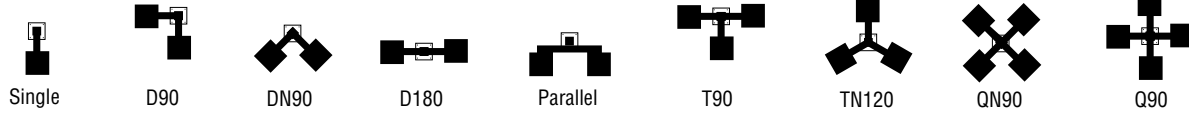


NOTES:

- 1 - Two locations will be 45° to the left and right of Side A.
- 2 - Other two locations will be 120° to the left and right of Side A.
- 3 - Two locations will be 45° to the left and right of Side A and two locations will be 135° to the left and right of Side A.

Consult factory for custom variations. Standard SF and DF pole preparations are located 3/4 of the height of the pole from the base, except on 20' poles. Maximum height for SF and DF pole preparations on 20' poles is 13' from the base.

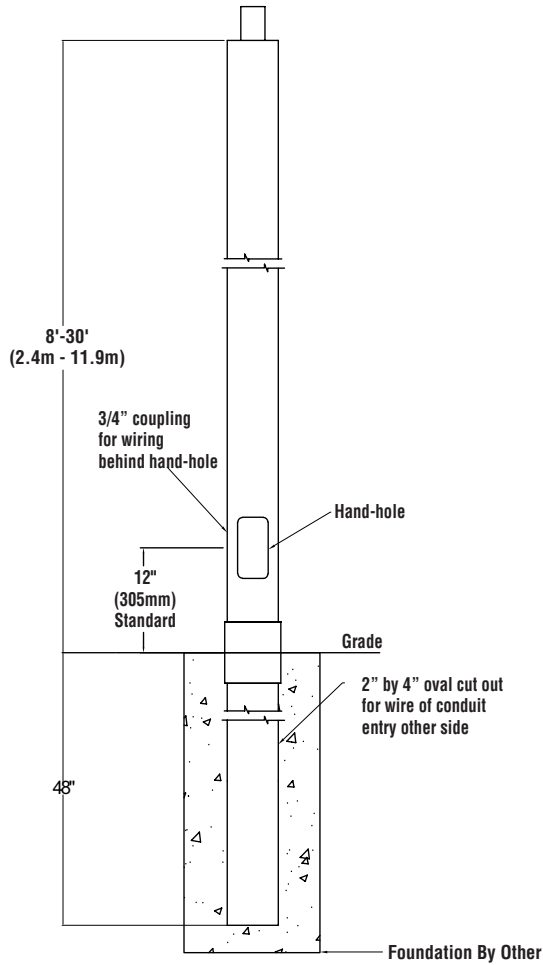
FIXTURE CONFIGURATIONS





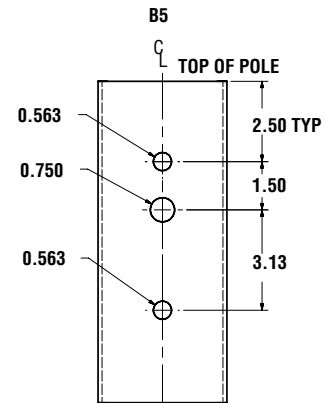
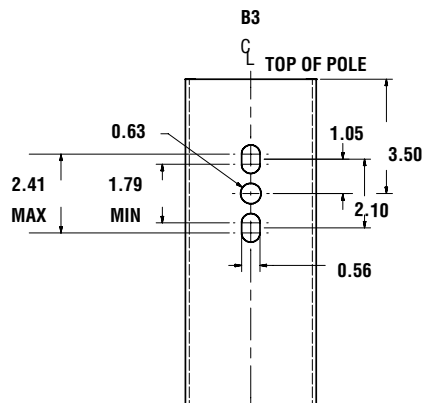
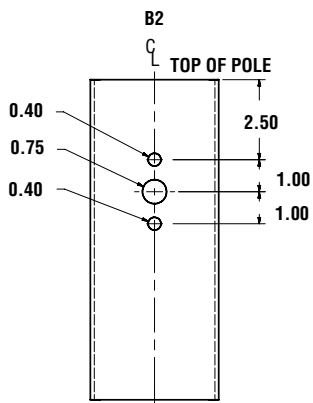
Steel Poles Square Straight - Direct Burial

PRODUCT DIMENSIONS



SHIPPING WEIGHTS	
4" (102mm) sq. 11 Ga. is approximately	7.50 lbs./ft.
4" (102mm) sq. 07 Ga. is approximately	10.00 lbs./ft.
5" (127mm) sq. 11 Ga. is approximately	9.00 lbs./ft.
5" (127mm) sq. 07 Ga. is approximately	12.50 lbs./ft.

BOLT-ON MOUNT 2-BOLT PATTERN





Steel Poles Square Straight - Direct Burial

WIND SPEED

EPA Information

All LSI Industries' poles are guaranteed to meet the EPA requirements listed. LSI Industries is not responsible if a pole order has a lower EPA rating than the indicated wind-loading zone where the pole will be located.

CAUTION: This guarantee does not apply if the pole/bracket/fixture combination is used to support any other items such as flags, pennants, or signs, which would add stress to the pole. LSI Industries cannot accept responsibility for harm or damage caused in these situations.

NOTE: Pole calculations include a 1.3 gust factor over steady wind velocity. Example: poles designed to withstand 80 MPH steady wind will withstand gusts to 104 MPH. EPAs are for locations 100 miles away from hurricane ocean lines. Consult LSI for other areas. Note: Hurricane ocean lines are the Atlantic and Gulf of Mexico coastal areas. For applications in Florida or Canada, consult factory.

Use ONLY with "Wind Speed Map for ASCE 7-10

POLE ¹	Above Grade Mtg. Height Length (ft)	Pole Shaft Total Length (ft)	Embedment Depth (FT)	Wall Thickness (GA)	EPA								
					110 MPH	115 MPH	120 MPH	130 MPH	140 MPH	150 MPH	160 MPH	170 MPH	180 MPH
4" x 11-ga x 10'	10	14	4	11	18.5	16.7	15.1	12.6	10.6	8.9	7.6	6.5	5.5
4" x 11-ga x 12'	12	16	4	11	14.0	12.4	11.3	9.3	7.6	6.3	5.3	4.4	3.6
4" x 11-ga x 14'	14	18	4	11	10.7	9.6	8.5	6.8	5.5	4.4	3.5	2.8	2.1
4" x 11-ga x 16'	16	20	4	11	8.2	7.3	6.4	5.0	3.8	2.9	2.1	1.5	1.0
4" x 11-ga x 18'	18	22	4	11	6.3	5.4	4.7	3.4	2.4	1.6	1.0	n/a	n/a
4" x 11-ga x 20'	20	24	4	11	4.6	3.9	3.3	2.2	1.3	0.6	n/a	n/a	n/a
4" x 11-ga x 22'	22	26	4	11	9.0	7.9	5.8	4.2	3.8	2.0	1.2	0.5	n/a
4" x 7-ga x 14'	14	18	4	7	19.4	17.4	15.7	13.0	10.8	9.0	7.6	6.4	5.3
4" x 7-ga x 16'	16	20	4	7	15.6	13.9	12.5	10.2	8.3	6.8	5.6	4.5	3.7
4" x 7-ga x 18'	18	22	4	7	12.6	11.2	10.0	8.0	6.3	5.0	4.0	3.1	2.4
4" x 7-ga x 20'	20	24	4	7	10.3	9.0	7.9	6.1	4.7	3.6	2.6	1.8	1.2
4" x 7-ga x 22'	22	26	4	7	15.8	14.0	12.5	10.0	7.9	6.3	5.0	3.9	3.0
4" x 7-ga x 24'	24	29	4	7	13.3	11.7	10.4	8.1	6.3	4.8	3.6	2.6	1.8
4" x 7-ga x 26'	26	31	4	7	11.2	9.8	8.5	6.5	4.8	3.5	2.4	1.5	0.8
5" x 11-ga x 14'	14	18	4	11	17.4	15.7	14.1	11.5	9.4	7.7	6.3	5.2	4.2
5" x 11-ga x 16'	16	20	4	11	13.8	12.3	10.9	8.7	6.9	5.5	4.3	3.3	2.5
5" x 11-ga x 18'	18	22	4	11	10.8	9.6	8.4	6.5	4.9	3.7	2.6	1.8	1.1
5" x 11-ga x 20'	20	24	4	11	8.5	7.3	6.3	4.6	3.2	2.1	1.2	0.5	n/a
5" x 11-ga x 22'	22	26	4	11	13.4	11.8	10.4	8.0	6.1	4.6	3.3	2.3	1.5
5" x 11-ga x 24'	24	29	4	11	11.0	9.5	8.3	6.1	4.4	3.0	1.9	1.0	n/a
5" x 11-ga x 26'	26	31	4	11	9.0	7.7	6.5	4.5	3.0	1.7	0.7	n/a	n/a
5" x 7-ga x 20'	20	24	4	7	21.6	19.3	17.3	14.0	11.3	9.2	7.4	6.0	4.8
5" x 7-ga x 22'	22	26	4	7	26.6	23.8	21.4	17.4	14.2	11.6	9.5	7.8	6.3
5" x 7-ga x 24'	24	29	4	7	22.9	20.4	18.2	14.6	11.6	9.4	7.5	5.9	4.6
5" x 7-ga x 26'	26	31	4	7	19.6	17.4	15.4	12.1	9.5	7.4	5.7	4.3	3.1
5" x 7-ga x 28'	28	33	4	7	16.8	14.7	12.9	9.9	7.6	5.6	4.1	2.8	1.7
5" x 7-ga x 30'	30	35	4	7	14.3	12.4	10.8	8.0	5.9	4.1	2.7	1.5	0.5

All LSI Industries' poles are guaranteed to meet the EPA requirements listed. LSI Industries is not responsible if a pole order has a lower EPA rating than the indicated wind-loading zone where the pole will be located.

CAUTION: This guarantee does not apply if the pole/bracket/fixture combination is used to support any other items such as flags, pennants, or signs, which would add stress to the pole. LSI Industries cannot accept responsibility for harm or damage caused in these situations.

Note:

- 1- Poles shorter than these listed here in for each gauge have EPA rating equal to or greater than what is provided in this table. To Confirm EPA ratings on shorter poles, contact LSI Industries.
- 2- LSI Industries recommends a vibration damper be ordered with this length.
- 3- Due to geographic variability in soil conditions, LSI Industries cannot provide drilled hole diameters and depths nor recommend supporting materials filled around the pole, i.e. gravel, concrete, etc.; consult engineer for foundation details ensuring pole foundation strength, water exclusion and local code compliance.

