



Catalog # : _____ Project : _____

Prepared By : _____ Date : _____

Small Commerical Wall (SSW)

LED Wall Light



OVERVIEW

Lumen Package	3,000
Wattage Range	23
Efficacy Range (LPW)	137
CCT (K)	4,000, 5,000
Controls	Button Photocell
Weight lbs(kg)	3.5 (1.6)

QUICK LINKS

[Ordering Guide](#)[Performance](#)[Photometrics](#)[Dimensions](#)

FEATURES & SPECIFICATIONS

Construction

- Rugged die-cast aluminum housing for maximum durability and reliability.
- IP65 rated luminaire protects integral components from harsh environments.

Optical System

- Premium engineered IP65 rated polycarbonate optic assemblies deliver IES Type 3 or 4 (FT) distributions.
- Zero Uplight.
- Available in 5000K & 4000K color temperatures per ANSI C78.377.
- Minimum CRI of 70.

Electrical

- 0-10V dimming (10% - 100%) standard.
- Standard Universal Voltage (120-277 Vac) Input 50/60 Hz
- L70 Calculated Life: >50K Hours

- Total harmonic distortion: <20%
- Operating temperature: -40°C to +40°C (-40°F to +104°F).
- Power factor: >.90
- Input power stays constant over life.
- High-efficacy LED circuit board mounted to cast housing to maximize heat dissipation

Installation

- Universal wall mounting plate easily mounts directly to 4" octagonal or square junction box.
- 2 fasteners secure the hinged door underneath the housing and provide quick and easy access to the electrical compartment for installing/servicing.
- Back box accessory available for surface conduit and wiring.

Warranty

- LSI luminaires carry a 5-year limited warranty. Refer to <https://www.lsi-industries.com/resources/terms-and-warranty.aspx> for more information.

Listings

- Listed to UL 1598 and UL 8750.
- Suitable for wet Locations.
- IP65 rated Luminaire.
- DesignLights Consortium® (DLC® Premium) qualified product.





Small Commerical LED Wall Light

ORDERING GUIDE

[Back to Quick Links](#)

TYPICAL ORDER EXAMPLE: **SSW LED 3L FT UNV DIM 40 BRZ PC**

Prefix	Light Source	Lumen Package	Distribution	Voltage
SSW - Small Commercial Wall	LED	3L - 3,000 lm	3 - Type 3 FT - Forward Throw Type 4	UNV - Universal Voltage (120-277V)

Driver	Color Temperature	Color Rendering	Finish	Options
DIM - 0-10v Dimming (10-100%)	50 - 5,000 CCT 40 - 4,000 CCT	BLANK - 70 CRI	BRZ - Bronze	PC - Button Photocontrol (120-277V) EBB - External Battery Backup Box (0°C, 120-277V)

Accessory Ordering Information

Description	Order Number
Wet Location Surface Conduit/Wiring box (Bronze)	739106

PERFORMANCE

[Back to Quick Links](#)

DELIVERED LUMENS*									
Lumen Package	Distribution	CRI	4000K CCT			5000K CCT			Wattage
			Delivered Lumens	Efficacy	BUG Rating	Delivered Lumens	Efficacy	BUG Rating	
3L	FT	70	3143	137	B1-U0-G1	3224	140	B1-U0-G1	23
	3	70	3173	139	B1-U0-G1	3255	142	B1-U0-G1	

*LEDs are frequently updated therefore values are nominal

ELECTRICAL DATA*					
Lumen Package	Wattage	240V	277V	347V	480V
3L	23	0.10	0.08	0.07	0.05

*Electrical data at 25C (77F). Actual wattage may differ by +/-10%.





PHOTOMETRICS

[Back to Quick Links](#)

Luminaire photometry has been conducted by an accredited laboratory in accordance with IESNA LM-79. As specified by IESNA LM-79 the entire luminaire is tested as the source resulting in a luminaire efficiency of 100%.

See <http://www.lsi-industries.com/products/led-lighting-solutions.aspx> for detailed photometric data.

SSW-3L-3-40

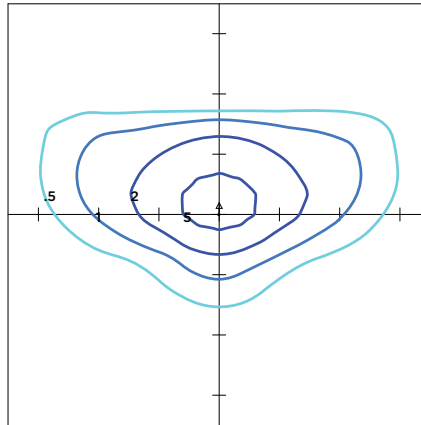
LUMINAIRE DATA

Type 3 Distribution	
Description	4000 Kelvin, 70 CRI
Delivered Lumens	3,174
Watts	23
Efficacy	138
IES Type	Type III - Medium
BUG Rating	B1-U0-G1

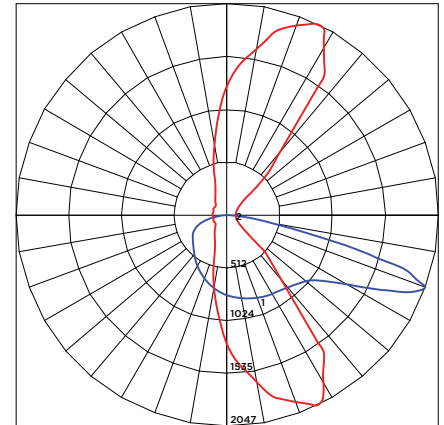
Zonal Lumen Summary

Zone	Lumens	%Luminaire
Low (0-30)°	609	19%
Medium (30-60)°	1548	49%
High (60-80)°	994	31%
Very High (80-90)°	22	1%
Uplight (90-180)°	0	0%
Total Flux	3174	100%

ISOFOOT CANDLE PLOT



POLAR CURVE



10' Mounting Height / 10' Grid Spacing



SSW-3L-FT-40

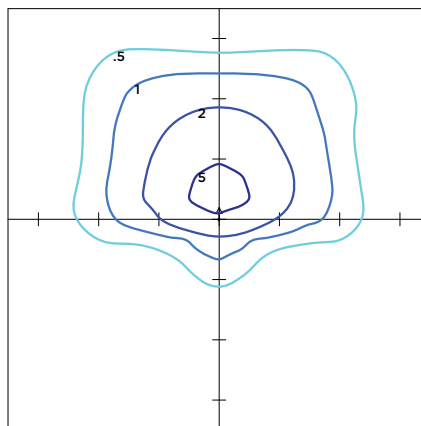
LUMINAIRE DATA

Type FT Distribution	
Description	4000 Kelvin, 70 CRI
Delivered Lumens	3,174
Watts	23
Efficacy	137
IES Type	Type IV - Short
BUG Rating	B1-U0-G1

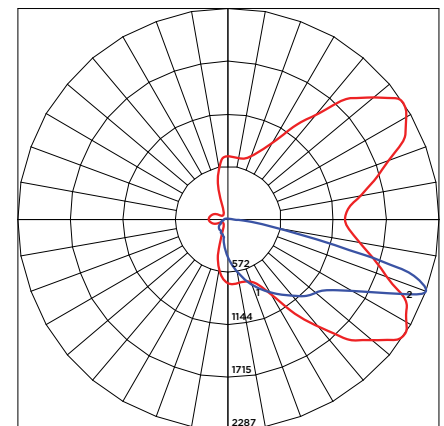
Zonal Lumen Summary

Zone	Lumens	%Luminaire
Low (0-30)°	389	12%
Medium (30-60)°	1431	46%
High (60-80)°	1290	41%
Very High (80-90)°	33	1%
Uplight (90-180)°	0	0%
Total Flux	3143	100%

ISOFOOT CANDLE PLOT



POLAR CURVE



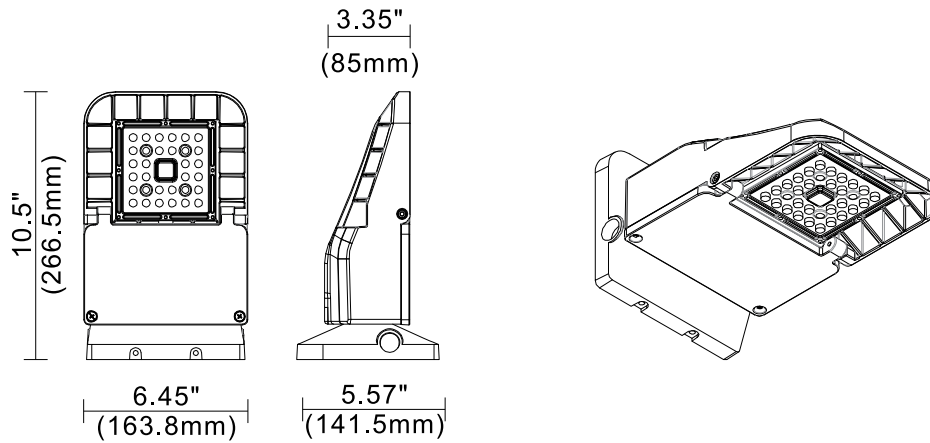
10' Mounting Height / 10' Grid Spacing





PRODUCT DIMENSIONS

[Back to Quick Links](#)



MOUNTING OPTIONS

MOUNTING OVER JUNCTION BOX

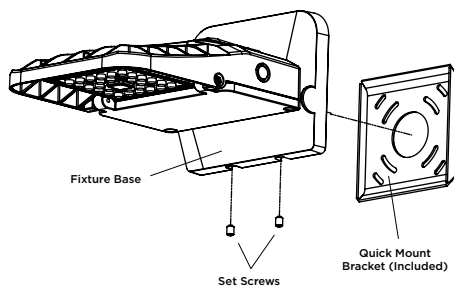
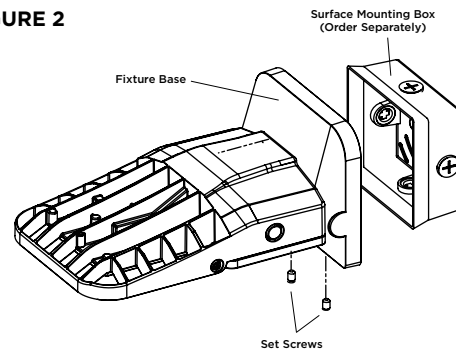
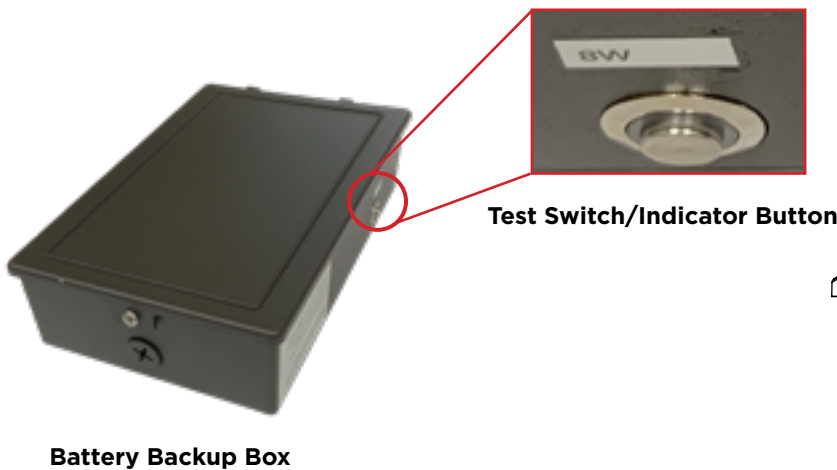


FIGURE 2



BATTERY BACKUP



Mounting/Installation

