



# Commerical Area Small (SSA)

## Outdoor Area Light



# IP65



### OVERVIEW

Lumen Output Range	12,000 - 24,000
Wattage Range	85 - 175
Efficacy Range (LPW)	135 - 148
Weight lbs (kg)	17 (7.8)

### QUICK LINKS

[Ordering Guide](#)[Performance](#)[Photometrics](#)[Dimensions](#)

## FEATURES & SPECIFICATIONS

### Construction

- Rugged die-cast aluminum housing for maximum durability and reliability.
- IP65 rated luminaire protects integral components from harsh environments.
- Shipping weight: 17.24 lbs in carton.

### Optical System

- Premium engineered IP65 rated acrylic optic assemblies deliver Type 3, 4 (FT) or 5 distributions.
- Zero uplight with pole mount arm.
- Available in 5000K and 4000K color temperatures per ANSI C78.377.
- Minimum CRI of 70.

### Electrical

- High-performance driver features shortcircuit and over temperature protection with integral surge protection (6kV).
- 0-10V dimming (10% - 100%) standard.
- Standard Universal Voltage (120-277 VAC) Input 50/60 Hz.
- Total harmonic distortion: <20%
- Operating temperature: -40°C to +40°C (-40°F to +104°F).

- Power factor: >.90
- Input power stays constant over life.
- Optional 20kV surge protection device meets a minimum Category C Low operation (per ANSI/IEEE C62.41.2).
- High-efficacy LEDs mounted to metal-core circuit board to maximize heat dissipation.

### Controls

- Integral passive infrared Bluetooth™ motion and photocell sensor options. Fixtures operate independently and can be commissioned via an iOS or Android configuration app.
- LSI's AirLink™ Blue lighting control system is a simple feature rich wireless Bluetooth mesh network. The integrated fixture sensor module provides wireless control of grouped fixtures based on motion sensors, daylight or a fully customizable schedule. Updates and modifications to the control strategy are easily implemented via an intuitive iOS app.

### Installation

- Mounting method ships separately and can be quickly connected to the luminaire.
- Wiring leads extended out of the main housing eliminating the need of opening the luminaire electrical chamber.

- Utilizes B2 pole drill pattern for arm mounting.
- Utilizes adjustable slip fitter for mast arm or tenon mounting.
- Optional die-cast slip fitter allows for mounting onto a 2" (51mm) IP, 2.375" (60mm) O.D. tenon allowing for tilting up to 45 degrees.

### Warranty

- LSI luminaires carry a 5-year limited warranty. Complete warranty terms are located on our website.

### Listings

- Listed to UL 1598 and UL 8750.
- Title 24 Compliant; see local ordinance for qualification information.
- Suitable for wet Locations
- IP65 rated Luminaire per IEC 60598
- 1.5G rated for ANSI C136.31 high vibration applications are qualified.
- DesignLights Consortium® (DLC) qualified product. Not all versions of this product may be DLC qualified. Please check the DLC Qualified Products List at [www.designlights.org/QPL](http://www.designlights.org/QPL) to confirm which versions are qualified.





# Commercial Area Light Small (SSA)

## ORDERING GUIDE

[Back to Quick Links](#)

TYPICAL ORDER EXAMPLE: **SSA LED 12L ACR 5W UNV DIM 50 CR7P BRZ PM**

Luminaire Prefix	Light Source	Lumen Package <sup>1</sup>	Lens	Distribution	Voltage	Driver
SSA - Small Commercial Area	LED	12L - 12,000 lms 18L - 18,000 lms 24L - 24,000 lms	ACR - Acrylic	3 - Type 3 5W - Type 5 Wide FT - Type 4 Forward Throw	UNV - Universal Voltage (120-277V)	DIM - 0-10V Dimming (10-100%)
Color Temp	Controls (Choose One)		Finish	Mounting Options		Options
50 - 5,000K CCT 40 - 4,000K CCT	(Blank) - None  <b>Wireless Controls System</b> ALBCS1 - AirLink Blue Wireless Motion & Photo Sensor Controller (8-24' MH) ALBCS2 - AirLink Blue Wireless Motion & Photo Sensor Controller (25-40' MH)  <b>Stand-Alone Controls</b> CR7P - 7 Pin Control Receptacle ANSI C136.41 <sup>2</sup> IMSBT1 - Integral Bluetooth™ Motion and Photocell Sensor (8-24' MH) <sup>3</sup> IMSBT2 - Integral Bluetooth™ Motion and Photocell Sensor (25-40' MH) <sup>3</sup>		BRZ - Bronze	PM - Square Pole Mount Arm SF - Adjustable Slip fitter	(Blank) - None SP2 - 20kV Surge Protection Device IHS - Integral House Side Shield	

### Accessory Ordering Information<sup>4</sup>

CONTROLS ACCESSORIES	
Description	Order Number <sup>2</sup>
PC120 Photocell for use with CR7P option (120v)	122514
PC208-277 Photocell for use with CR7P option (208V, 240V, 277V)	122515
AirLink 5 Pin Twist Lock Controller	661409
AirLink 7 Pin Twist Lock Controller	661410
Shorting Cap for use with CR7P	149328

FUSING ACCESSORIES <sup>5</sup>	
Description	Order Number
Single Fusing (120V)	See Fusing Guide
Single Fusing (277V)	See Fusing Guide

MOUNTING ACCESSORIES <sup>6</sup>	
Description	Order Number
Round Pole Adapter for SSA/SMA for 4" or 5" OD Poles	SARPA45 BRZ
Round Pole Adapter for SSA/SMA for 3" or 3.5" OD Poles	SARPA3 BRZ
Quick Pole Mount Bracket (Square Pole)	751534 CLR
15° Quick Pole Mount Bracket (Square Pole)	740022 CLR
Wood Pole Bracket (6" Minimum OD Pole, Bronze Finish)	750440
Wall Mount Bracket (Bronze Finish)	750441
Square Pole Tenon Adapter (For 2 3/8" Tenon)	BKA 2NM Q90 BRZ
10' Linear Bird Spike Kit (3' Recommended per Luminaire)	751632

#### FOOTNOTES:

- 1 - 9L and 21L lumen packages available, consult factory.
- 2 - Control device or shorting cap must be ordered separately. See Accessory Ordering Information.
- 3 - IMSBT is field configurable via the LSI app that can be downloaded from your smartphone's native app store.
- 4 - Mounting and accessories are shipped separately and field installed.
- 5 - Fusing must be located in hand hole of pole.
- 6 - "CLR" denotes finish. See Finish options.

Luminaire Shown with CR7P



Luminaire Shown with IMS



# Commercial Area Light Small (SSA)

## PERFORMANCE

[Back to Quick Links](#)

DELIVERED LUMENS*									
Lumen Package	Distribution	CRI	4000K			5000K			Wattage
			Delivered Lumens	Efficacy	BUG Rating	Delivered Lumens	Efficacy	BUG Rating	
12L	3	70	12,698	148	B3-U0-G3	12,561	147	B3-U0-G3	85
	FT		12,341	144	B2-U0-G3	12,208	142	B2-U0-G3	
	5W		12,720	148	B3-U0-G1	12,582	147	B3-U0-G1	
18L	3	80	17,777	147	B3-U0-G3	17,585	146	B3-U0-G3	121
	FT		17,277	143	B3-U0-G3	17,090	141	B3-U0-G3	
	5W		17,808	147	B3-U0-G2	17,615	146	B3-U0-G2	
24L	3	80	24,555	140	B3-U0-G3	24,290	138	B3-U0-G3	175
	FT		23,865	136	B3-U0-G3	23,607	135	B3-U0-G3	
	5W		24,598	140	B4-U0-G2	24,332	139	B4-U0-G2	

\*LEDs are frequently updated therefore values are nominal.

ELECTRICAL DATA*				
Lumen Package	120V	208V	240V	277V
12L	0.87	0.50	0.44	0.38
18L	1.26	0.73	0.63	0.55
24L	1.52	0.88	0.76	0.66

\*Electrical data at 25C (77F). Actual wattage may differ by +/-10%.

RECOMMENDED LUMEN MAINTENANCE (9L-21L) <sup>1</sup>					
Ambient Temperature C	Initial <sup>2</sup>	25K hrs. <sup>2</sup>	50K hrs. <sup>3</sup>	75K hrs. <sup>3</sup>	100K hrs. <sup>3</sup>
0C - 40C	100%	94%	87%	81%	76%

- 1 - Lumen maintenance values at 25C are calculated per TM-21 based on LM-80 data and in-situ testing.
- 2 - In accordance with IESNA TM-21-11, Projected Values represent interpolated value based on time durations that are within six times the IESNA LM-80-08 total test duration for the device under testing.
- 3 - Lumen maintenance values at 25C are calculated per TM-21 based on LM-80 data and in-situ testing times the IESNA LM-80-08 total test duration for the device under testing

LUMINAIRE EPA CHART						
Tilt Degree	Single	D180°	D90°	T90°	TN120°	Q90°
0°	0.51	1.02	0.91	1.42	1.65	1.65





# Commercial Area Light Small (SSA)

## PHOTOMETRICS

[Back to Quick Links](#)

Luminaire photometry has been conducted by an accredited laboratory in accordance with IESNA LM-79. As specified by IESNA LM-79 the entire luminaire is tested as the source resulting in a luminaire efficiency of 100%.

### SSA 18L 3 40

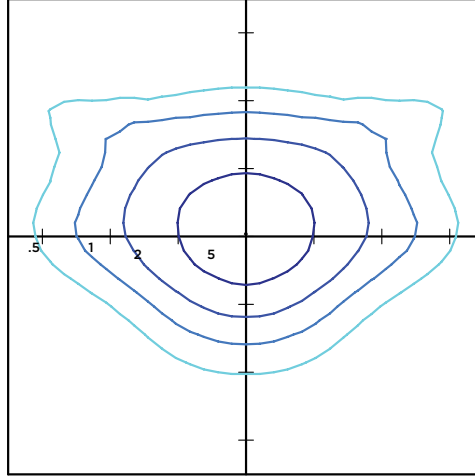
#### LUMINAIRE DATA

Type 3 Distribution	
Description	4000 Kelvin, 70 CRI
Delivered Lumens	17,777
Watts	121
Efficacy	147
IES Type	Type III - Medium
BUG Rating	B3-U0-G3

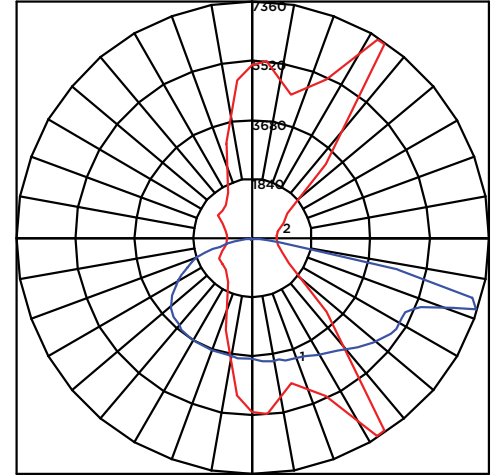
#### Zonal Lumen Summary

Zone	Lumens	%Luminaire
Low (0-30)°	3,221	18%
Medium (30-60)°	8,661	49%
High (60-80)°	5,471	31%
Very High (80-90)°	425	2%
Uplight (90-180)°	0	0%
Total Flux	17,777	100%

#### ISO FOOTCANDLE



#### POLAR CURVE



#### 20' Mounting Height/20' Grid Spacing

5 FC
  2 FC
  1 FC
  0.5 FC

### SSA 18L FT 40

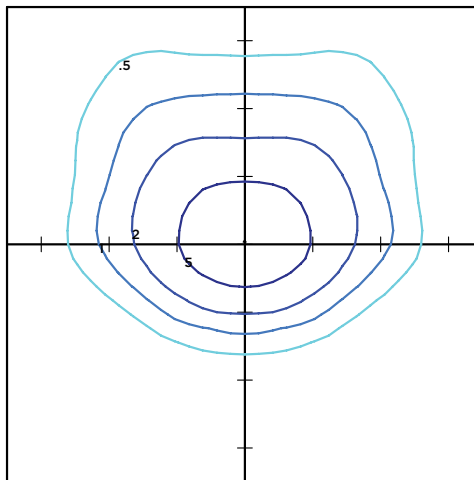
#### LUMINAIRE DATA

Type FT Distribution	
Description	4000 Kelvin, 70 CRI
Delivered Lumens	17,277
Watts	120.5
Efficacy	143
IES Type	Type IV - Short
BUG Rating	B3-U0-G3

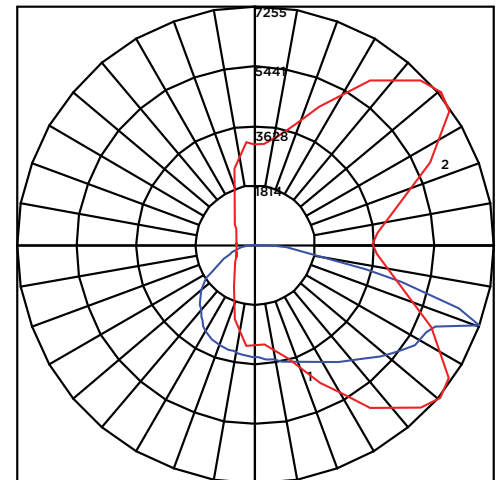
#### Zonal Lumen Summary

Zone	Lumens	%Luminaire
Low (0-30)°	3,004	17%
Medium (30-60)°	8,461	49%
High (60-80)°	5,510	32%
Very High (80-90)°	302	2%
Uplight (90-180)°	0	0%
Total Flux	17,277	100%

#### ISO FOOTCANDLE



#### POLAR CURVE



#### 20' Mounting Height/20' Grid Spacing

5 FC
  2 FC
  1 FC
  0.5 FC



# Commercial Area Light Small (SSA)

## PHOTOMETRICS

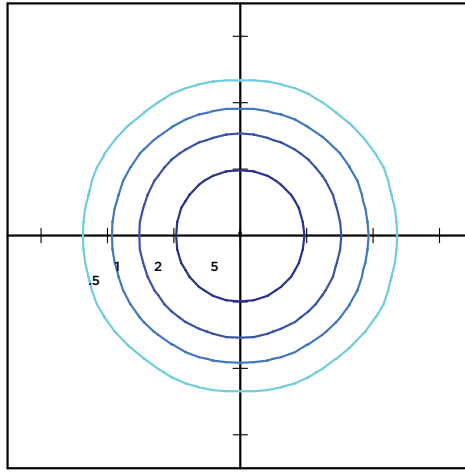
[Back to Quick Links](#)

### SSA 18L 5W 40

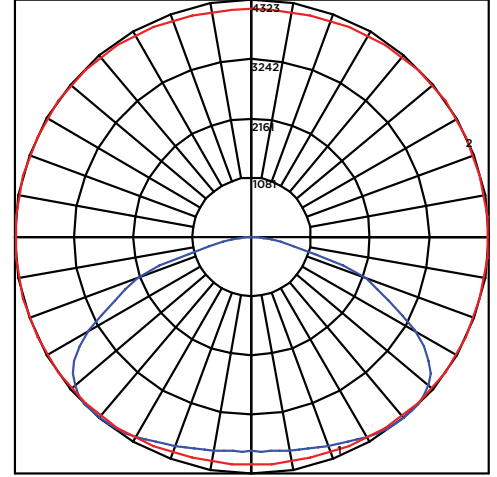
#### LUMINAIRE DATA

Type 5W Distribution	
Description	4000 Kelvin, 70 CRI
Delivered Lumens	17,807
Watts	121
Efficacy	147
IES Type	Type VS - Very Short
BUG Rating	B3-U0-G2

#### ISO FOOTCANDLE



#### POLAR CURVE



#### Zonal Lumen Summary

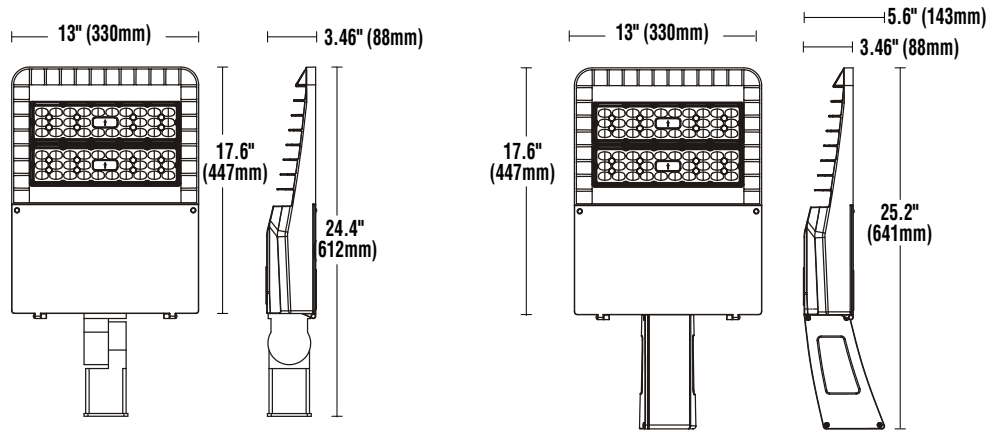
Zone	Lumens	%Luminaire
Low (0-30°)	3,514	20%
Medium (30-60°)	9,413	53%
High (60-80°)	4,464	25%
Very High (80-90°)	417	2%
Uplight (90-180°)	0	0%
Total Flux	17,807	100%

#### 20' Mounting Height/20' Grid Spacing

5 FC
  2 FC
  1 FC
  0.5 FC

## PRODUCT DIMENSIONS

[Back to Quick Links](#)



#### LUMINAIRE EPA CHART

Tilt Degree	Single	D180°	D90°	T90°	TN120°	Q90°
0°	0.51	1.02	0.91	1.42	1.65	1.65





# Commercial Area Light Small (SSA)

## MOUNTING

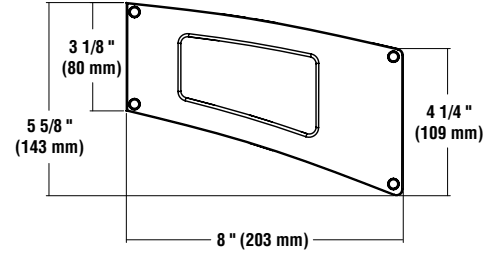
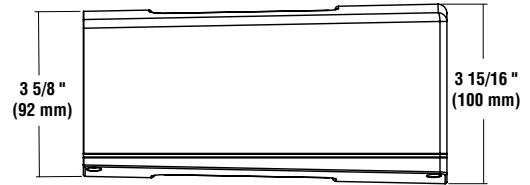


SF - Adjustable Slip Fitter for Mast Arm and Tenon

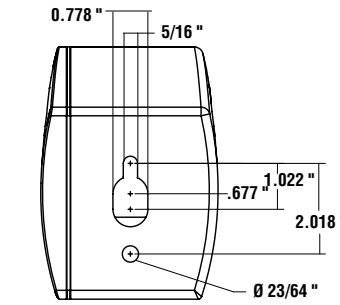
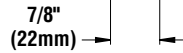
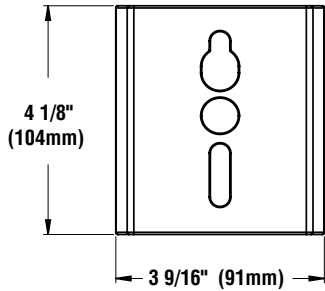
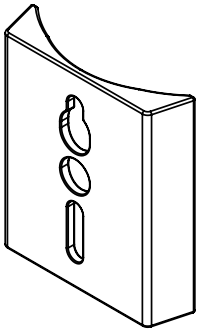


PM - Square Pole Mount Arm

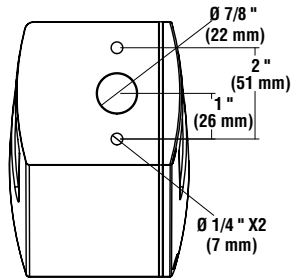
For Mast Arm & Tenon



SARPA45 BRZ - Round Pole Adapter



Pole Side for B2 Drill Pattern



Fixture Side

