



# Strip Light Retrofit Kit (SRK)

## Indoor Industrial LED Strip Light



### OVERVIEW

Lumen Output Range	2,000 - 16,000
CCT (K)	3000K, 3500K, 4000K, 5000K
Wattage	14 - 110
Efficacy Range (LPW)	137 - 159
Fixture Weight lbs	2ft - 3 4ft - 9 8ft - 18

### QUICK LINKS

[Ordering Guide](#)[Performance](#)[Photometrics](#)[Dimensions](#)

## FEATURES & SPECIFICATIONS

### Construction

- Rigid housing is die-formed 22-gauge cold rolled steel.
- Mount individually or in continuous rows with optional plug assembly kits.
- Tool-less wireway access with removable lens and light engine.
- Luminaire is painted after fabrication following treatment with phosphate rust inhibitor. Finish coat of housing is high reflectance white (minimum 92%) polyester powder.

### Optical System

- Lensless driver cover mounts to existing fixture housings
- Available in 3000K, 3500K, 4000K, and 5000K
- Minimum CRI of 80.

### Electrical

- High-performance driver features overvoltage, under-voltage, short-circuit and over temperature protection.

- 0-10V dimming (10% - 100%) standard.

- Standard Universal Voltage (120-277 VAC) Input 50/60 Hz or optional 347V.

- L70 Calculated Life: >60K hours.

- Total harmonic distortion: <20%.

- Operating temperature: -30°C to +50°C (-22°F to +122°F).

- Power factor: >.90.

- Optional 120-277V 10W integral emergency battery backup is available to meet critical life-safety lighting requirements. A test switch/indicator button will be installed on the housing.

### Installation

- Suitable for retrofit of existing fixtures.
- Remove existing components and attached kit to existing housing.

### Warranty

- Complete warranty terms located at: <https://www.lsicorp.com/resources/terms-conditions-warranty/>.

### Listings

- Listed to UL 1598 and UL 8750.
- Meets Buy American Act requirements.
- Title 24 Compliant; see local ordinance for qualification information.
- Suitable for damp locations.





# Strip Light Retrofit Kit - SRK

## ORDERING GUIDE

[Back to Quick Links](#)TYPICAL ORDER EXAMPLE: **SRK4 LED 40L UNV DIM1 40 80CRI**

Family	Technology	Lumen Package*	Voltage	Driver	Color Temperature	CRI	Options
<b>SRK4</b> - 4' Strip	LED	20L - 2000 Lumens <sup>1</sup>	UNV - 120-277V	DIM1 - Dims to 1% (0-10V)	30 - 3000K	80CRI - 80 CRI	Standard - None EM10 - 10W Battery Backup <sup>4</sup> ADJ - Adjustable Bracket
<b>SRK8</b> - 8' Strip		30L - 3000 Lumens <sup>1</sup>					
		40L - 4000 Lumens <sup>1</sup>			40 - 4000K		
		50L - 5000 Lumens <sup>1</sup>			50 - 5000K		
		60L - 6000 Lumens <sup>1</sup>					
		70L - 7000 Lumens					
		80L - 8000 Lumens					
		100L - 10000 Lumens <sup>2</sup>					
		120L - 12000 Lumens <sup>2</sup>					
		140L - 14000 Lumens <sup>2</sup>					
		160L - 16000 Lumens <sup>2</sup>					
	Custom Lumen <sup>3</sup>						

**FOOTNOTES:**

- 1 - Available in 4ft only
- 2 - Available in 8ft only
- 3 - Custom lumen and wattages available, consult factory. Values are within industry standard tolerances and not DLC listed.
- 4 - Not available with 347V
- 5 - Consult factory for leadtime & DLC qualifications





# Strip Light Retrofit Kit - SRK

## PERFORMANCE

[Back to Quick Links](#)

DELIVERED LUMENS											
Length	Lumen Package	CRI	3000K CCT		3500K CCT		4000K CCT		5000K CCT		Wattage
			Delivered Lumens	Efficacy	Delivered Lumens	Efficacy	Delivered Lumens	Efficacy	Delivered Lumens	Efficacy	
4'	20L	80	1973	137	1969	137	2014	149	2156	150	14
	30L		3017	144	2944	141	3011	144	3223	155	28
	40L		4013	145	3916	141	4005	145	4287	155	28
	50L		5048	142	4929	139	5036	142	5391	152	35
	60L		6103	149	5955	146	6091	149	6520	159	40
	70L		7035	148	4864	144	7021	147	7516	158	47
	80L		8079	145	7883	141	8063	144	8631	155	55
8'	70L	80	6879	144	7094	149	7057	149	7504	158	47
	80L		7818	142	8112	148	8070	147	8571	156	54
	100L		9727	139	10093	144	10040	144	10676	153	69
	120L		11660	143	12098	149	12035	148	12797	157	81
	140L		13582	143	14093	148	14019	147	14907	157	94
	160L		15522	141	16105	146	16021	145	17036	154	110

\*LEDs are frequently updated therefore values are nominal.

ELECTRICAL DATA*					
Length	Lumens	120V	208V	240V	277V
4'	20L	0.12A	0.07A	0.06A	0.05A
	30L	0.17A	0.10A	0.09A	0.08A
	40L	0.23A	0.13A	0.12A	0.10A
	50L	0.30A	0.17A	0.15A	0.13A
	60L	0.34A	0.20A	0.17A	0.15A
	70L	0.40A	0.23A	0.20A	0.17A
	80L	0.47A	0.27A	0.23A	0.20A
8'	70L	0.39A	0.23A	0.20A	0.17A
	80L	0.46A	0.26A	0.23A	0.20A
	100L	0.58A	0.34A	0.29A	0.25A
	120L	0.68A	0.39A	0.34A	0.29A
	140L	0.80A	0.46A	0.40A	0.34A
	160L	0.92A	0.53A	0.46A	0.40A

\*Electrical data at 25C (77F). Actual wattage may differ by +/-10%.

RECOMMENDED LUMEN MAINTENANCE <sup>1</sup>							
Length	Lumens	Ambient Temp	0 hrs. <sup>2</sup>	25K hrs. <sup>2</sup>	50K hrs. <sup>2</sup>	75K hrs. <sup>3</sup>	100K hrs. <sup>3</sup>
4'	40L	25C	98%	97%	95%	94%	92%
	80L	25C	99%	96%	94%	92%	91%
8'	80L	25C	99%	97%	95%	94%	92%
	140L	25C	98%	95%	93%	90%	88%
	160L	25C	98%	95%	92%	89%	86%

1 - Lumen maintenance values at 25°C are calculated per TM-21 based on LM-80 data and in-situ luminaire testing.

2 - In accordance with IESNA TM-21-11, Projected Values represent interpolated value based on time durations that are within six times (6X) the IESNA LM-80-08 total test duration (in hours) for the device under testing ((DUT) i.e. the packaged LED chip).

3 - In accordance with IESNA TM-21-11, Calculated Values represent time durations that exceed six times NA LM-80-08 total test duration (in hours) for the device under testing ((DUT) i.e. the packaged LED chip).



# Strip Light Retrofit Kit - SRK

## PHOTOMETRICS

[Back to Quick Links](#)

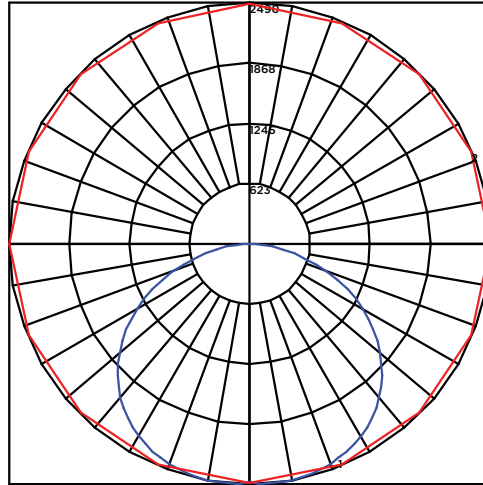
Luminaire photometry has been conducted by an accredited laboratory in accordance with IESNA LM-79. As specified by IESNA LM-79 the entire luminaire is tested as the source resulting in a luminaire efficiency of 100%.

### SRK4 40L 40

#### LUMINAIRE DATA

Type 3 Distribution	
Description	4000 Kelvin, 80 CRI
Delivered Lumens	4,005
Watts	27
Efficacy	148

#### POLAR CURVE



#### Zonal Lumen Summary

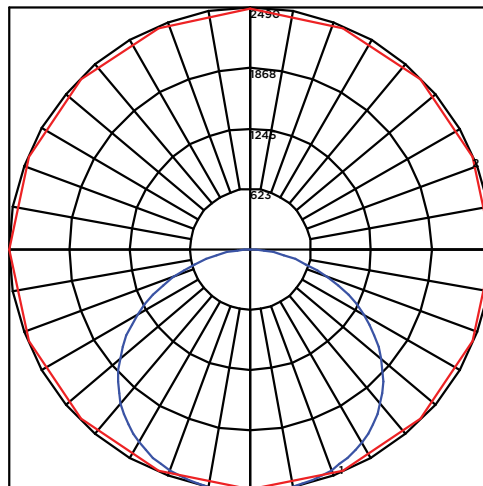
Zone	Lumens	%Luminaire
Low (0-30°)	995	25%
Medium (30-60°)	2,081	52%
High (60-80°)	840	21%
Very High (80-90°)	87	2%
Uplight (90-180°)	0	0%
Total Flux	4,005	100%

### SRK8 80L 40

#### LUMINAIRE DATA

Type 3 Distribution	
Description	4000 Kelvin, 80 CRI
Delivered Lumens	8,069
Watts	61
Efficacy	133

#### POLAR CURVE



#### Zonal Lumen Summary

Zone	Lumens	%Luminaire
Low (0-30°)	2,012	25%
Medium (30-60°)	4,198	52%
High (60-80°)	1,686	21%
Very High (80-90°)	172	2%
Uplight (90-180°)	0	0%
Total Flux	8,069	100%



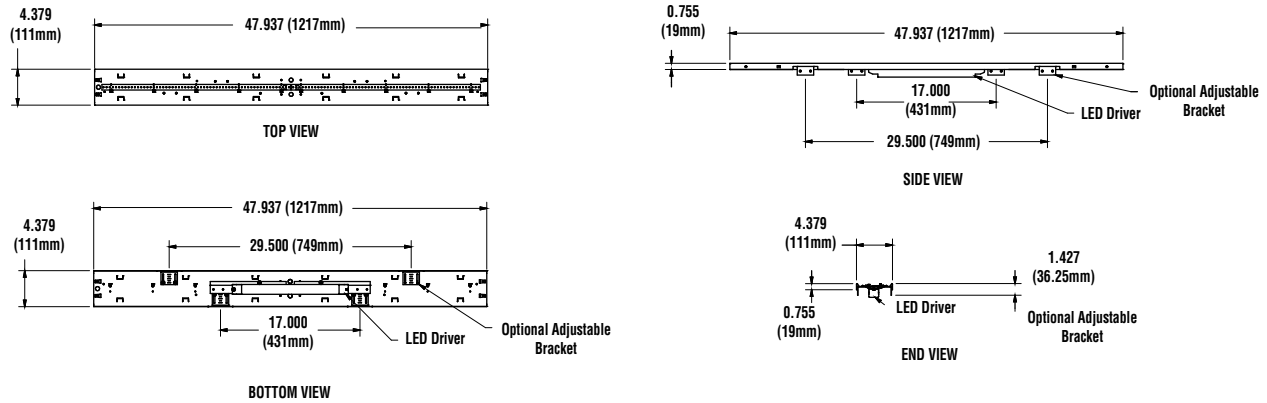


# Strip Light Retrofit Kit - SRK

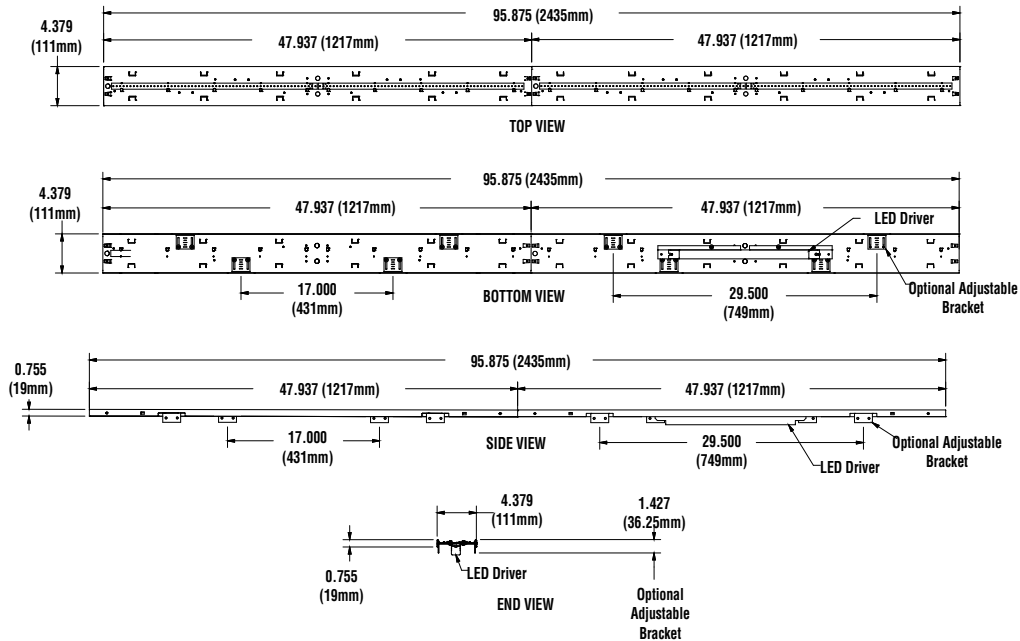
## PRODUCT DIMENSIONS

[Back to Quick Links](#)

### SRK4



### SRK8



### ADJUSTABLE BRACKET (OPTIONAL)

- Investigate/measure existing fixture already installed
- If fixture measures 4.25" - 2.00" wide, the adjustable bracket is required for retrofit installation
- The adjustable bracket will be preinstalled at the factory and can be field adjusted by moving the brackets inward/outward to fit existing housing. Tighten screws to lock bracket in place.

