



Catalog # : _____ Project : _____

Prepared By : _____ Date : _____

Medium Commercial Wall (SMW)

LED Wall Light



OVERVIEW

Lumen Output Range	6,000 - 10,000
Wattage Range	47 - 78
Efficacy Range (LPW)	122 - 131
Weight lbs(kg)	8 (3.6)

QUICK LINKS

[Ordering Guide](#)[Performance](#)[Photometrics](#)[Dimensions](#)

FEATURES & SPECIFICATIONS

Construction

- Rugged die-cast aluminum housing for maximum durability and reliability.
- IP65 rated luminaire protects integral components from harsh environments.

Optical System

- Premium engineered IP65 rated polycarbonate optic assemblies deliver IES Type 3 or 4 (FT) distributions.
- Zero Uplight.
- Available in 5000K & 4000K color temperatures per ANSI C78.377.
- Minimum CRI of 70.

Electrical

- 0-10V dimming (10% - 100%) standard.
- Standard Universal Voltage (120-277 Vac) Input 50/60 Hz or optional High Voltage (347-480 Vac)
- L70 Calculated Life: >50K Hours

- Total harmonic distortion: <20%
- Operating temperature: -40°C to +40°C (-40°F to +104°F).
- Power factor: >.90
- Input power stays constant over life.
- High-efficacy LED circuit board mounted to cast housing to maximize heat dissipation
- Optional emergency battery pack box provides 90-minutes of constant power to the LED system, ensuring code compliance. A test switch/indicator button is installed on the box for ease of maintenance. The fixture delivers approximately 900 lumens during emergency mode.

Installation

- Universal wall mounting plate easily mounts directly to 4" octagonal or square junction box.
- 2 fasteners secure the hinged door

- underneath the housing and provide quick and easy access to the electrical compartment for installing/servicing.
- Back box accessory available for surface conduit and wiring.

Warranty

- LSI luminaires carry a 5-year limited warranty. Complete warranty terms are located on our website.

Listings

- Listed to UL 1598 and UL 8750.
- Suitable for wet Locations.
- IP65 rated Luminaire.
- DesignLights Consortium® (DLC® Premium) qualified product.





Medium Commerical LED Wall Light

ORDERING GUIDE

[Back to Quick Links](#)

TYPICAL ORDER EXAMPLE: **SMW LED 6L FT UNV DIM 40 BRZ PC**

Prefix	Light Source	Lumen Package	Distribution	Voltage
SMW - Medium Commercial Wall	LED	6L - 6,000 lm 10L - 10,000 lm	3 - Type 3 FT - Forward Throw Type 4	UNV - Universal Voltage (120-277V)

Driver	Color Temperature	Color Rendering	Finish	Options
DIM - 0-10v Dimming (10-100%)	50 - 5,000 CCT 40 - 4,000 CCT	BLANK - 70 CRI	BRZ - Bronze	PC - Button Photocontrol (120-277V) SP1 - Surge Protection 10kV EBB - External Battery Backup Box (0°C, 120-277V)

Accessory Ordering Information

Description	Order Number
Wet Location Surface Conduit/Wiring box (Bronze)	739106

PERFORMANCE

[Back to Quick Links](#)

DELIVERED LUMENS*									
Lumen Package	Distribution	CRI	4000K CCT			5000K CCT			Wattage
			Delivered Lumens	Efficacy	BUG Rating	Delivered Lumens	Efficacy	BUG Rating	
6L	FT	70	5869	126	B2-U0-G2	6020	129	B1-U0-G2	47
	3	70	5930	127	B2-U0-G2	6083	130	B2-U0-G2	
10L	FT	70	9908	127	B2-U0-G2	10163	130	B2-U0-G2	78
	3	70	10011	128	B3-U0-G3	10269	131	B3-U0-G3	

*LEDs are frequently updated therefore values are nominal

ELECTRICAL DATA*					
Lumen Package	Wattage	240V	277V	347V	480V
6L	47	0.19	0.17	0.13	0.10
10L	78	0.33	0.28	0.22	0.16

*Electrical data at 25C (77F). Actual wattage may differ by +/-10%.





Medium Commerical LED Wall Light

PHOTOMETRICS

[Back to Quick Links](#)

Luminaire photometry has been conducted by an accredited laboratory in accordance with IESNA LM-79. As specified by IESNA LM-79 the entire luminaire is tested as the source resulting in a luminaire efficiency of 100%.

See <http://www.lsi-industries.com/products/led-lighting-solutions.aspx> for detailed photometric data.

SMW-06L-3-40

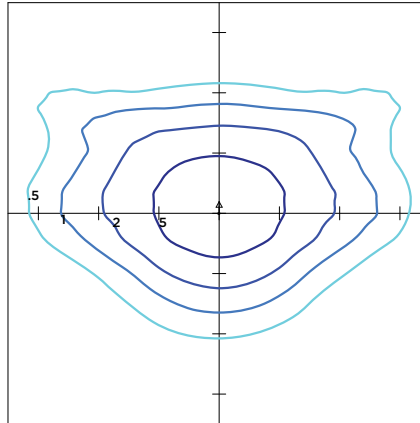
LUMINAIRE DATA

Type 3 Distribution	
Description	4000 Kelvin, 70 CRI
Delivered Lumens	5,930
Watts	47
Efficacy	126
IES Type	Type III - Medium
BUG Rating	B2-U0-G2

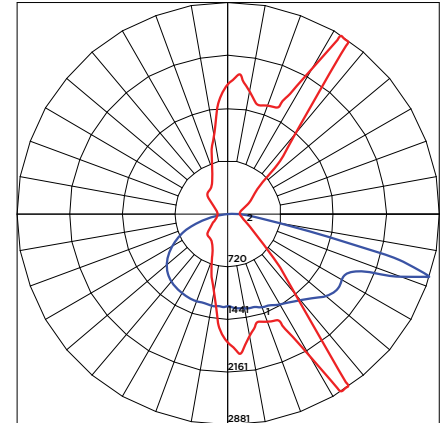
Zonal Lumen Summary

Zone	Lumens	%Luminaire
Low (0-30)°	1087	18%
Medium (30-60)°	2956	50%
High (60-80)°	1791	30%
Very High (80-90)°	96	2%
Uplight (90-180)°	0	0%
Total Flux	5930	100%

ISO FOOTCANDLE PLOT



POLAR CURVE



10' Mounting Height / 10' Grid Spacing



SMW-06L-FT-40

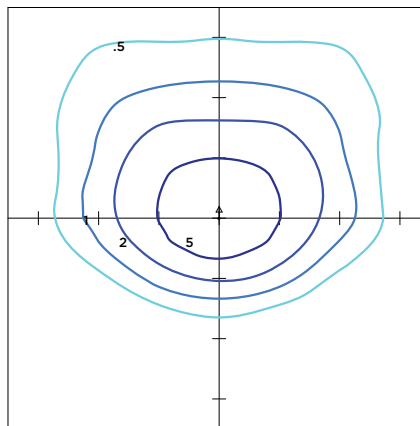
LUMINAIRE DATA

Type FT Distribution	
Description	4000 Kelvin, 70 CRI
Delivered Lumens	5,869
Watts	47
Efficacy	125
IES Type	Type IV - Short
BUG Rating	B2-U0-G2

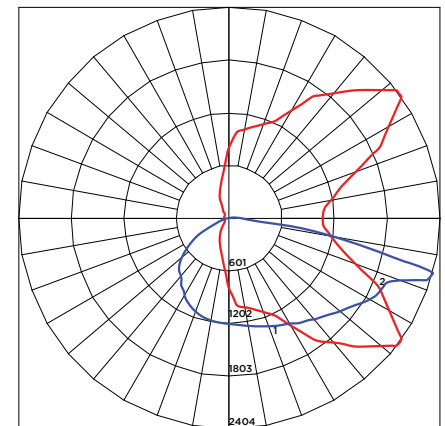
Zonal Lumen Summary

Zone	Lumens	%Luminaire
Low (0-30)°	1037	18%
Medium (30-60)°	2777	47%
High (60-80)°	1915	33%
Very High (80-90)°	140	2%
Uplight (90-180)°	0	0%
Total Flux	5869	100%

ISO FOOTCANDLE PLOT



POLAR CURVE



10' Mounting Height / 10' Grid Spacing

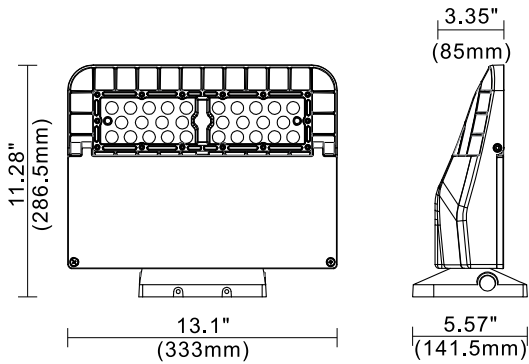




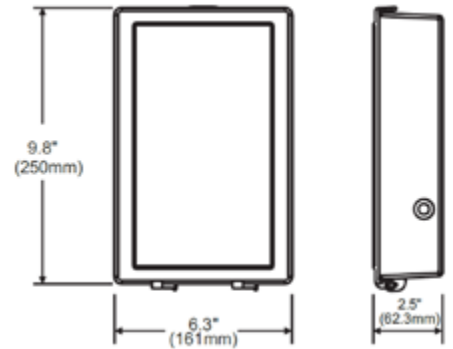
Medium Commerical LED Wall Light

PRODUCT DIMENSIONS

[Back to Quick Links](#)



Battery Backup Box



MOUNTING OPTIONS

MOUNTING OVER JUNCTION BOX

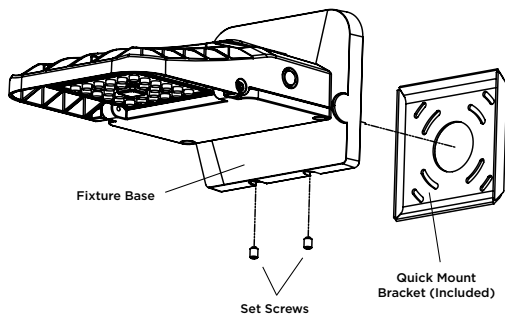
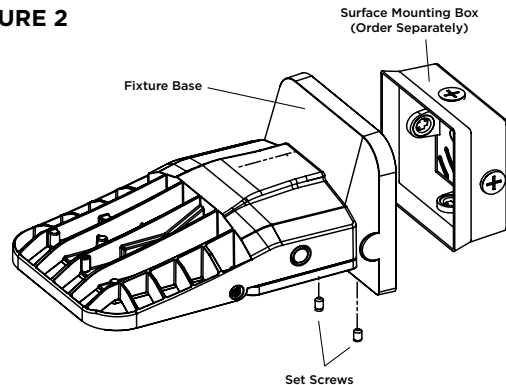
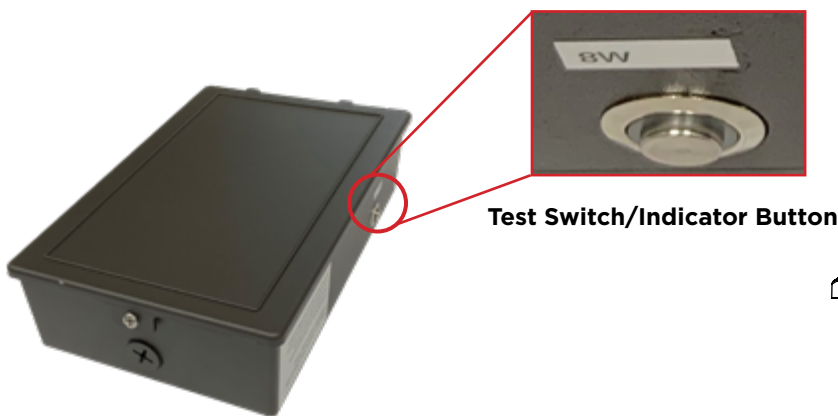


FIGURE 2



BATTERY BACKUP



Battery Backup Box

Mounting/Installation

