



Commerical Area Medium (SMA)

Outdoor Area Light

**IP65**

OVERVIEW

Lumen Output Range	28,000 - 42,000
Wattage Range	200 - 296
Efficacy Range (LPW)	135 - 142
Weight lbs (kg)	19 (8.7)

QUICK LINKS

[Ordering Guide](#)[Performance](#)[Photometrics](#)[Dimensions](#)

FEATURES & SPECIFICATIONS

Construction

- Rugged die-cast aluminum housing for maximum durability and reliability.
- IP65 rated luminaire protects integral components from harsh environments.
- Shipping weight: 19.16 lbs in carton.

Optical System

- Premium engineered IP65 rated acrylic optic assemblies deliver Type 3, 4 (FT) or 5 distributions.
- Zero uplight with pole mount arm.
- Available in 5000K and 4000K color temperatures per ANSI C78.377.
- Minimum CRI of 70.

Electrical

- High-performance driver features shortcircuit and over temperature protection with integral surge protection (6kV).
- 0-10V dimming (10% - 100%) standard.
- Standard Universal Voltage (120-277 Vac) Input 50/60 Hz or optional High Voltage (347-480 Vac).
- Total harmonic distortion: <20%
- Operating temperature: -40°C to +40°C

(-40°F to +104°F).

- Power factor: >.90
- Input power stays constant over life.
- Optional 20kV surge protection device meets a minimum Category C Low operation (per ANSI/IEEE C62.41.2).
- High-efficacy LEDs mounted to metal-core circuit board to maximize heat dissipation.

Controls

- Integral passive infrared Bluetooth™ motion and photocell sensor options. Fixtures operate independently and can be commissioned via an iOS or Android configuration app.
- LSI's AirLink™ Blue lighting control system is a simple feature rich wireless Bluetooth mesh network. The integrated fixture sensor module provides wireless control of grouped fixtures based on motion sensors, daylight or a fully customizable schedule. Updates and modifications to the control strategy are easily implemented via an intuitive iOS app.

Installation

- Mounting method ships separately and can be quickly connected to the luminaire.
- Wiring leads extended out of the main housing eliminating the need of opening

the luminaire electrical chamber.

- Utilizes B2 pole drill pattern for arm mounting.
- Utilizes adjustable slip fitter for mast arm or tenon mounting.
- Optional die-cast slip fitter allows for mounting onto a 2" (51mm) IP, 2.375" (60mm) O.D. tenon allowing for tilting up to 45 degrees.

Warranty

- LSI luminaires carry a 5-year limited warranty. Complete warranty terms are located on our website.

Listings

- Listed to UL 1598 and UL 8750.
- Title 24 Compliant; see local ordinance for qualification information.
- Suitable for wet Locations
- IP65 rated Luminaire per IEC 60598
- 1.5G rated for ANSI C136.31 high vibration applications are qualified.
- DesignLights Consortium® (DLC) qualified product. Not all versions of this product may be DLC qualified. Please check the DLC Qualified Products List at www.designlights.org/QPL to confirm which versions are qualified.





Commercial Area Light Medium (SMA)

ORDERING GUIDE

[Back to Quick Links](#)TYPICAL ORDER EXAMPLE: **SMA LED 28L ACR FT UNV DIM 40 IMSBT2 BRZ PM**

Luminaire Prefix	Light Source	Lumen Package ¹	Lens	Distribution	Voltage	Driver
SMA - Medium Commercial Area	LED	28L - 28,000 lms 42L - 42,000 lms	ACR - Acrylic	FT - Type 4 Forward Throw 3 - Type 3 5W - Type 5 Wide	UNV - Universal Voltage (120-277V)	DIM - 0-10V Dimming (10-100%)
Color Temp	Controls (Choose One)		Finish	Mounting Options	Options	
50 - 5,000K CCT 40 - 4,000K CCT	(Blank) - None Wireless Controls System ALBCS1 - AirLink Blue Wireless Motion & Photo Sensor Controller (8-24' MH) ALBCS2 - AirLink Blue Wireless Motion & Photo Sensor Controller (25-40' MH) Stand-Alone Controls CR7P - 7 Pin Control Receptacle ANSI C136.41 ² IMSBT1 - Integral Bluetooth™ Motion and Photocell Sensor (8-24' MH) ³ IMSBT2 - Integral Bluetooth™ Motion and Photocell Sensor (25-40' MH) ³		BRZ - Bronze	PM - Square Pole Mount Arm SF - Adjustable Slip fitter	(Blank) - None SP2 - 20kV Surge Protection Device IHS - Integral House Side Shield	

Accessory Ordering Information⁶

CONTROLS ACCESSORIES	
Description	Order Number ²
Twist Lock Photocell (120V) for use with CR7P	122514
Twist Lock Photocell (208-277) for use with CR7P	122515
AirLink 5 Pin Twist Lock Controller	661409
AirLink 7 Pin Twist Lock Controller	661410
Shorting Cap for use with CR7P	149328

FUSING ACCESSORIES ⁵	
Description	Order Number
Single Fusing (120V)	See Fusing Guide
Single Fusing (277V)	See Fusing Guide

MOUNTING ACCESSORIES	
Description	Order Number
Round Pole Adapter for SSA/SMA for 4" or 5" OD Poles	SARPA45 BRZ
Round Pole Adapter for SSA/SMA for 3" or 3.5" OD Poles	SARPA3 BRZ
Quick Pole Mount Bracket (Square Pole)	751534 BRZ
15° Quick Pole Mount Bracket (Square Pole)	740022 BRZ
Wood Pole Bracket (6" Minimum OD Pole, Bronze Finish)	750440
Wall Mount Bracket (Bronze Finish)	750441
Square Pole Tenon Adapter (For 2 3/8" Tenon)	BKS PQ15 RD B2 BRZ
10' Linear Bird Spike Kit (3' Recommended per Luminaire)	751632

FOOTNOTES:

- 1 - 38L lumen packages available, consult factory.
- 2 - Control device or shorting cap must be ordered separately. See Accessory Ordering Information.
- 3 - IMSBT is field configurable via the LSI app that can be downloaded from your smartphone's native app store.
- 4 - Mounting and accessories are shipped separately and field installed.
- 5 - Fusing must be located in hand hole of pole.
- 6 - "CLR" denotes finish. See Finish options.

Luminaire Shown with CR7P



Luminaire Shown with IMS





Commercial Area Light Medium (SMA)

PERFORMANCE

[Back to Quick Links](#)

DELIVERED LUMENS*									
Lumen Package	Distribution	CRI	4000K			5000K			Wattage
			Delivered Lumens	Efficacy	BUG Rating	Delivered Lumens	Efficacy	BUG Rating	
28L	3	70	28344	142	B4-U0-G4	28037	140	B4-U0-G4	200
	FT		27547	138	B4-U0-G3	27249	137	B4-U0-G3	
	5W		28393	142	B4-U0-G2	28086	141	B4-U0-G2	
42L	3	70	41402	140	B4-U0-G4	40954	138	B4-U0-G4	296
	FT		40238	136	B4-U0-G4	39803	135	B4-U0-G4	
	5W		41474	140	B5-U0-G3	41025	139	B5-U0-G3	

*LEDs are frequently updated therefore values are nominal.

ELECTRICAL DATA*				
Lumen Package	120V	208V	240V	277V
28L	1.67	0.96	0.83	0.72
42L	2.47	1.42	1.23	1.07

*Electrical data at 25C (77F). Actual wattage may differ by +/-10%.

RECOMMENDED LUMEN MAINTENANCE (28L-38L) ¹					
Ambient Temperature C	Initial ²	25K hrs. ²	50K hrs. ²	75K hrs. ³	100K hrs. ³
0C - 40C	100%	94%	87%	81%	76%

1 - Lumen maintenance values at 25C are calculated per TM-21 based on LM-80 data and in-situ testing.

2 - In accordance with IESNA TM-21-11, Projected Values represent interpolated value based on time durations that are within six times the IESNA LM-80-08 total test duration for the device under testing.

3 - Lumen maintenance values at 25C are calculated per TM-21 based on LM-80 data and in-situ testing times the IESNA LM-80-08 total test duration for the device under testing

LUMINAIRE EPA CHART						
Tilt Degree	Single	D180°	D90°	T90°	TN120°	Q90°
0°	0.55	1.10	0.95	1.50	1.74	1.74





Commercial Area Light Medium (SMA)

PHOTOMETRICS

[Back to Quick Links](#)

Luminaire photometry has been conducted by an accredited laboratory in accordance with IESNA LM-79. As specified by IESNA LM-79 the entire luminaire is tested as the source resulting in a luminaire efficiency of 100%.

SMA 28L 3 40

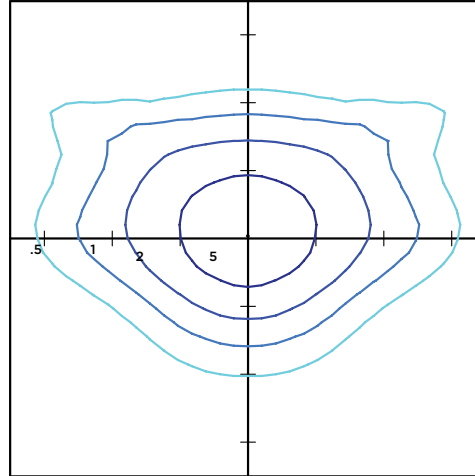
LUMINAIRE DATA

Type 3 Distribution	
Description	4000 Kelvin, 70 CRI
Delivered Lumens	28,344
Watts	200
Efficacy	142
IES Type	Type III - Medium
BUG Rating	B4-U0-G4

Zonal Lumen Summary

Zone	Lumens	%Luminaire
Low (0-30)°	5,136	18%
Medium (30-60)°	13,809	49%
High (60-80)°	8,722	31%
Very High (80-90)°	678	2%
Uplight (90-180)°	0	0%
Total Flux	28,345	100%

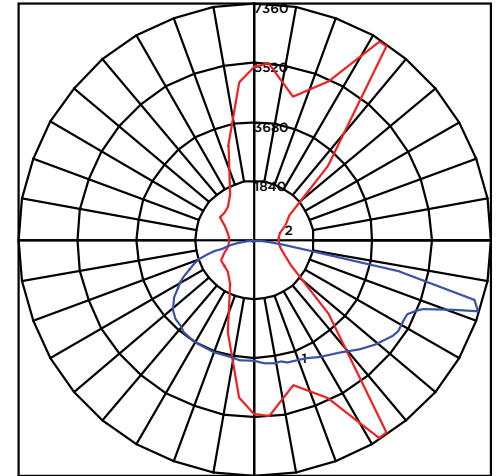
ISO FOOTCANDLE



25' Mounting Height/25' Grid Spacing

■ 5 FC ■ 2 FC ■ 1 FC ■ 0.5 FC

POLAR CURVE



SMA 28L FT 40

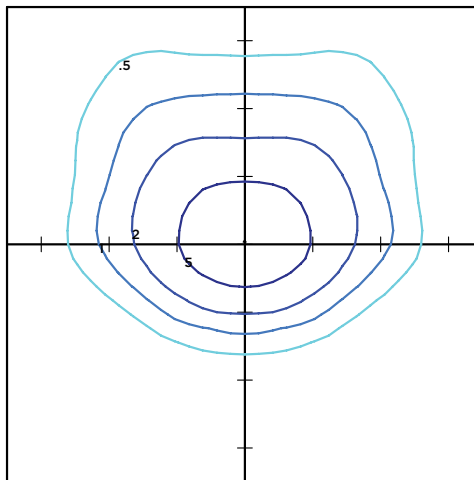
LUMINAIRE DATA

Type FT Distribution	
Description	4000 Kelvin, 70 CRI
Delivered Lumens	27,547
Watts	200
Efficacy	138
IES Type	Type IV - Short
BUG Rating	B4-U0-G3

Zonal Lumen Summary

Zone	Lumens	%Luminaire
Low (0-30)°	4,861	18%
Medium (30-60)°	13,275	48%
High (60-80)°	8,881	32%
Very High (80-90)°	530	2%
Uplight (90-180)°	0	0%
Total Flux	27,547	100%

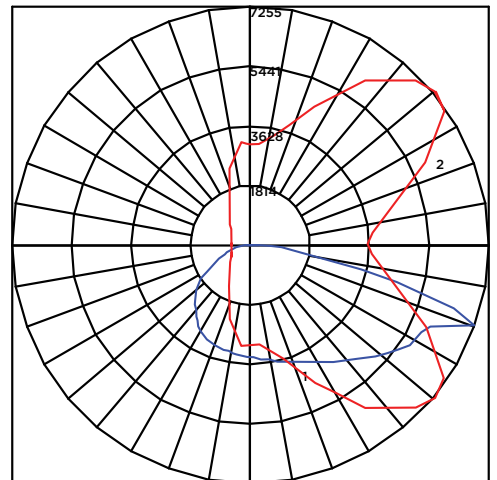
ISO FOOTCANDLE



25' Mounting Height/25' Grid Spacing

■ 5 FC ■ 2 FC ■ 1 FC ■ 0.5 FC

POLAR CURVE





Commercial Area Light Medium (SMA)

PHOTOMETRICS

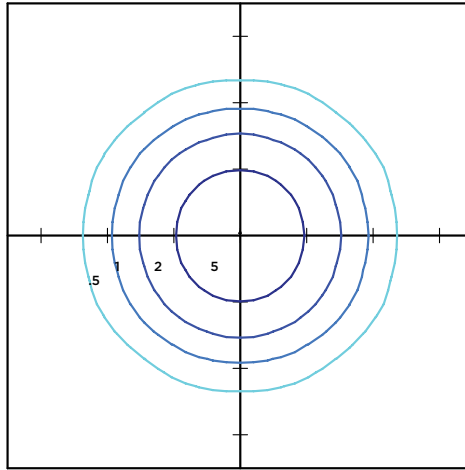
[Back to Quick Links](#)

SMA 28L 5W 40

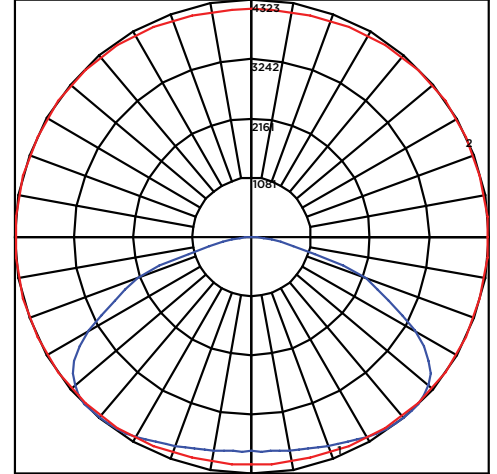
LUMINAIRE DATA

Type 5W Distribution	
Description	4000 Kelvin, 70 CRI
Delivered Lumens	28,392
Watts	200
Efficacy	142
IES Type	Type VS - Very Short
BUG Rating	B4-U0-G3

ISO FOOTCANDLE



POLAR CURVE



Zonal Lumen Summary

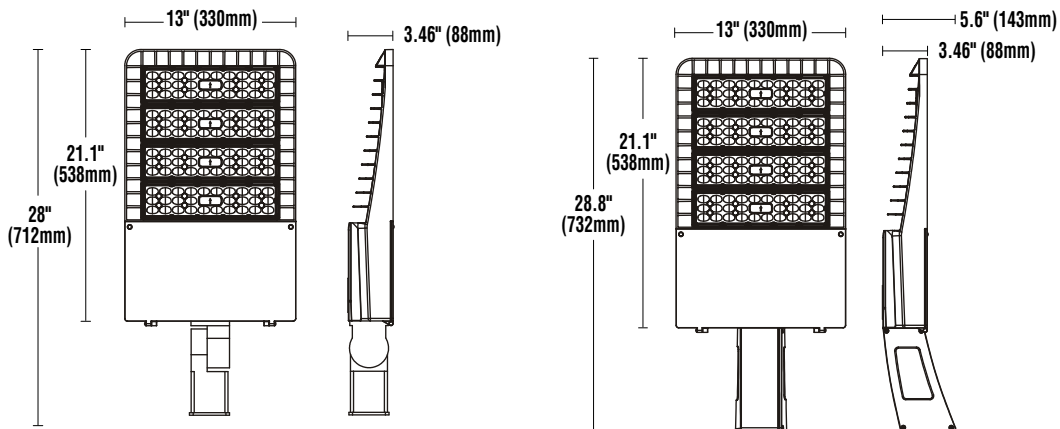
Zone	Lumens	%Luminaire
Low (0-30)°	5,603	20%
Medium (30-60)°	15,007	53%
High (60-80)°	7,117	25%
Very High (80-90)°	664	2%
Uplight (90-180)°	0	0%
Total Flux	28,392	100%

25' Mounting Height/25' Grid Spacing

5 FC
 2 FC
 1 FC
 0.5 FC

PRODUCT DIMENSIONS

[Back to Quick Links](#)



LUMINAIRE EPA CHART						
Tilt Degree						
	Single	D180°	D90°	T90°	TN120°	Q90°
0°	0.55	1.10	0.95	1.50	1.74	1.74



Commercial Area Light Medium (SMA)

MOUNTING

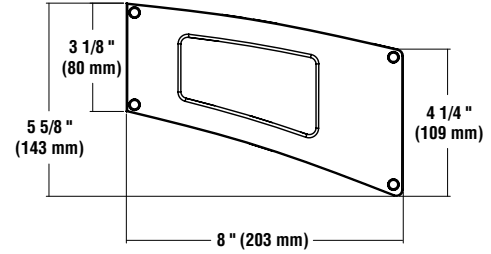
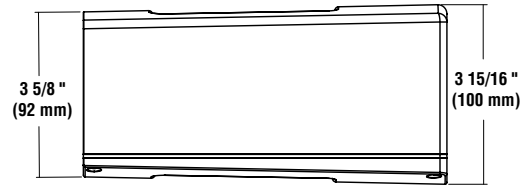


SF - Adjustable Slip Fitter for Mast Arm and Tenon

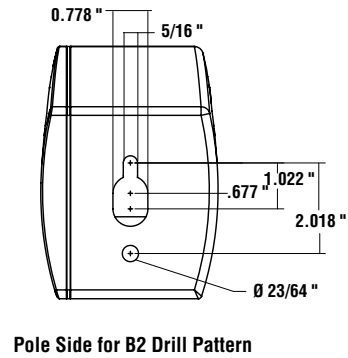
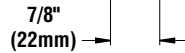
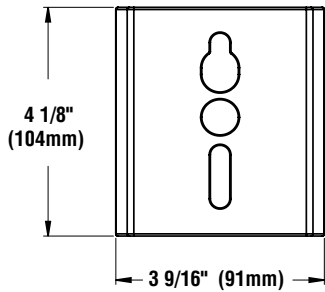
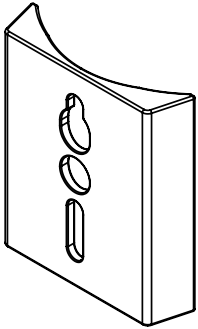


PM - Square Pole Mount Arm

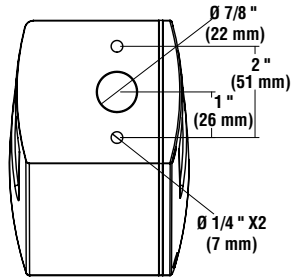
For Mast Arm & Tenon



SARPA45 BRZ - Round Pole Adapter



Pole Side for B2 Drill Pattern



Fixture Side

