



Catalog #: _____ Project: _____

Prepared By: _____ Date: _____ Type: _____

Scottsdale Vertex™ (SCV)

Petroleum Canopy Light



OVERVIEW	
Lumen Package	9,000 - 23,000
Wattage Range	67 - 188
Efficacy Range (LPW)	109 - 154
Weight lbs(kg)	18.5 (8.4)

QUICK LINKS

[Ordering Guide](#)[Performance](#)[Photometrics](#)[Dimensions](#)

FEATURES & SPECIFICATIONS

Construction

- Rugged low-profile die-cast aluminum housing, optical unit, and driver cover.
- Below canopy access to optical chamber and driver housing for serviceability.
- IP66 rated luminaire protects integral components from dust and water.
- Fixtures are finished with LSI's DuraGrip® polyester powder coat finishing process. The DuraGrip finish withstands extreme weather changes without cracking or peeling.
- Four fasteners secure the door frame to housing. Door frame also provides quick and easy access to the electrical compartment for servicing.
- Shipping weight: 18.5 lbs in carton.

Optical System

- Symmetrical distribution utilizes a clear tempered flat glass lens to uniformly illuminate the area under the gas canopy.
- Combination Forward Throw distribution uses clear tempered flat glass and optical grade PMMA acrylic lens to create an industry leading unique distribution pattern to illuminate the area under the gas canopy and the area between the gas canopy and convenience store eliminating the need for extra floodlights.
- Available in 5000K, 4000K and 3000K color temperatures.
- Minimum CRI of 80.

Electrical

- High-performance factory programmable driver; features include over-voltage, undervoltage, short circuit and over temperature protection

- Integral 6kV surge protection that meets IEEE C62.41.2 and ANSI C82.77-5 Location Category C Low standards
- Additional field replaceable 10kV surge protection device meets a minimum Category C Low operation (per ANSI/IEEE C62.41.2)
- Custom lumen and wattage packages available
- 0-10V dimming (10% - 100%) standard.
- Standard Universal Voltage (120-277 Vac) Input 50/60 Hz or optional High Voltage (347-480 Vac).
- L80 Calculated Life: >100k Hours (See Lumen Maintenance on Page 2)
- Total harmonic distortion: <20%
- Operating temperature: -40°C to +50°C (-40°F to +122°F) when mounted to Steel/ Aluminum surfaces for 10L, 13L, & 15L Lumen Packages, +45°C for 20L Lumen Package, and +35°C for 23L Lumen Package. If mounted to a non-metallic surface, reduce ambient by 5°C.
- Power factor: >0.90
- High-efficacy LEDs are mounted to (4) circuit boards to maximize heat dissipation
- Driver components are fully encased in potting material for moisture resistance. Driver complies with FCC standards.

Hazardous Location

- Designed for lighter than air fuel applications. Product is suitable for Class 1 Division 2 with all lumen packages and distributions only when properly installed per LSI installation instructions. Models with optional controls are not approved for Class 1, Division 2 applications.

Gas Groups A,B,C, and D - Group A:

Acetylene / Group B: Hydrogen / Group C: Propane and Ethylene / Group D: Benzene, Butane, Methane & Propane.

Installation

- Installs in a 12" or 16" deck pan.
- Four fasteners are provided for use in single deck steel canopies. Other suitable fasteners may be required and provided by others.
- Unit is designed to quickly retrofit into existing Scottsdale (4") hole.
- Aluminum locking collar and gasket are included and required for complete seal and support of canopy deck.
- Retrofit panels are available for existing Encores, Richmond, 2x2 Universal, and more.
- Direct mount to surface or recessed J box with hardware bracket kit ordered separately as an accessory.

Warranty

- LSI LED Fixtures carry a 5-year warranty or 10-year warranty with registration for petroleum applications only (contact your LSI representative for details).

Listings

- Listed to UL 1598 and UL 8750.
- Meets Buy American Act requirements.
- State of California Title 24 Compliant with IMSBT or ALSC/ALSCS option.
- DesignLights Consortium® (DLC) qualified product. Not all versions of this product may be DLC qualified. Please check the DLC Qualified Products List at www.designlights.org/QPL to confirm which versions are qualified.
- IDA compliant with 3000K or lower color temperature.



**ORDERING GUIDE**[Back to Quick Links](#)TYPICAL ORDER EXAMPLE: **SCV LED 13L SC UNV DIM 50 WHT IMSBT2**

Family / Size	LED Gen	Lumen Package	Distribution	Voltage	Driver	Color Temperature	Finish	Options
SCV - Petroleum Canopy Luminaire	LED	10L - 10000 Lumens 13L - 13000 Lumens 15L - 15000 Lumens 20L - 20000 Lumens 23L - 23000 Lumens Custom Lumen Packages ⁴	SC - Standard Symmetric	UNV - 120-277V HV - 347-480V	DIM - Dims to 10% (0 to 10V dimming)	50 - 5,000K 40 - 4,000K 30 - 3,000K	WHT - White BLK - Black BRZ - Bronze	Blank - NONE ALSC - AirLink Synapse Wireless Control System ALSCS - AirLink Synapse Wireless Control System with Sensor ALBCS1 - AirLink Blue Wireless Motion & Photo Sensor Controller (8-24' mounting height) ALBCS2 - AirLink Blue Wireless Motion & Photo Sensor Controller (25-40' mounting height) IMSBT1 - Integral Bluetooth™ Motion and Photocell Sensor 8 - 24' mounting height ¹ IMSBT2 - Integral Bluetooth™ Motion and Photocell Sensor 25 - 40' mounting height ¹ HL - Hazardous Location Class 1 Div 2 ⁵
		23L - 23000 Lumens	SCFT - Combination Standard Symmetric and Forward Throw ⁶					

Accessory Ordering Information

Description	Part Number	Description	Part Number
Retrofit Panel Kit - EC / ECTA / SCF to SCV, for 16" Deck Panel with larger openings ²	673425R2	Junction Box	687461
Retrofit Panel Kit - EC / ECTA / SCF to SCV, for 12" Deck Panel ³	676011R2	Kit - Hole Plugs and Sealant (enough for 25 retrofits)	1320540
Retrofit Panel Kit - RECU Richmond to SCV	673426R2	Rectangular Top Plate Kit (includes top plate and sealant)	678291R2WHT
Retrofit Panel Kit - UNV Universal 2x2 to SCV	673427R2	Surface Mount Box	673433R2
Retrofit 2x2 Cover Panel Blank (no holes)	357282	Retrofit Kit - CRU/CRUS to SCV	687462R2
Retrofit RIC Cover Panel Blank (no holes)	354702	Retrofit Kit for SCM/SCV to upgrade SC/SCF/EC/ECTA White	744333
26" X 26" Beauty Plate Kit (with 4" Center hole)	557193WHT	BRKT SCM / SCV DIRECT MNT W/ HDWR	752172R2
26" X 32" Beauty Plate Kit (with 4" Center hole)	564160WHT		

FOOTNOTES:

- 1 - IMSBT is field configurable via the LSI app that can be downloaded from your smartphone's native app store.
2 - Ideal for 9" to 12" openings.
3 - Ideal for 9" openings.

- 4 - Custom lumen and wattage packages available consult factory. Values are within industry standard tolerances but not DLC listed.
5 - HL not compatible with AirLink or IMSBT controls or 3000K color temperature.



**PERFORMANCE**

DELIVERED LUMENS*										
Drive Current	3000K CCT			4000K CCT			5000K CCT			Wattage
	Delivered Lumens	Efficiency	BUG Ratings	Delivered Lumens	Efficiency	BUG Ratings	Delivered Lumens	Efficiency	BUG Ratings	
10L	9652	144	B3-U0-G1	9928	148	B3-U0-G1	10317	154	B3-U0-G1	67
13L	12567	140	B3-U0-G1	12927	144	B3-U0-G1	13443	149	B3-U0-G1	90
15L	13999	137	B3-U0-G1	14399	141	B3-U0-G1	14963	147	B3-U0-G1	102
20L	18755	141	B4-U0-G1	19598	147	B4-U0-G1	20234	152	B4-U0-G1	133
23L	21783	141	B4-U0-G2	22406	145	B4-U0-G2	23284	150	B4-U0-G2	155
23L (SCFT)	20886	111	B3-U0-G3	23187	123	B4-U0-G3	23101	123	B3-U0-G3	188

*LEDs are frequently updated therefore values are nominal.

ELECTRICAL DATA - Current draw in AMPS*							
Lumen Level	Wattage	120V	208V	240V	277V	347V	480V
10L	67	0.56	0.32	0.28	0.24	0.19	0.14
13L	90	0.75	0.43	0.37	0.32	0.26	0.19
15L	102	0.85	0.49	0.42	0.37	0.29	0.21
20L	133	1.1	0.64	0.55	0.48	0.38	0.28
23L (SC)	155	1.29	0.75	0.65	0.56	0.45	0.32
23L (SCFT)	188	1.57	0.9	0.78	0.68	0.54	0.39

*Electrical data at 25°C (77F). Actual wattage may differ by +/-10%.

RECOMMENDED LUMEN MAINTENANCE - SCV 15L SC¹					
Ambient Temperature C	Lumen Multiplier				
	Initial ²	25k hr ²	50k hr ²	75k hr ³	100k hr ³
25	102%	97%	92%	88%	84%
30	102%	97%	92%	88%	84%
35	102%	97%	92%	88%	84%
40	102%	97%	92%	88%	84%
45	101%	95%	91%	86%	81%
50	101%	95%	90%	85%	80%

RECOMMENDED LUMEN MAINTENANCE - SCV 23 SC¹					
Ambient Temperature C	Lumen Multiplier				
	Initial ²	25k hr ²	50k hr ²	75k hr ³	100k hr ³
25	102%	97%	92%	88%	84%
30	102%	97%	92%	88%	84%
35	102%	97%	92%	88%	84%
40	101%	96%	91%	86%	82%

RECOMMENDED LUMEN MAINTENANCE - SCV 23 SCFT¹					
Ambient Temperature C	Lumen Multiplier				
	Initial ²	25k hr ²	50k hr ²	75k hr ³	100k hr ³
25	105%	88%	73%	61%	51%
30	105%	80%	61%	47%	36%
35	105%	70%	47%	32%	21%

- Lumen maintenance values at 25°C are calculated per TM-21 based on LM-80 data and in-situ luminaire testing.
- In accordance with IESNA TM-21-11, Projected Values represent interpolated value based on time durations that are within six times (6X) the IESNA LM-80-08 total test duration (in hours) for the device under testing ((DUT) i.e. the packaged LED chip).
- In accordance with IESNA TM-21-11, Calculated Values represent time durations that exceed six times NA LM-80-08 total test duration (in hours) for the device under testing ((DUT) i.e. the packaged LED chip).





Scottsdale Vertex SCV Petroleum

PHOTOMETRICS

[Back to Quick Links](#)

Luminaire photometry has been conducted by an accredited laboratory in accordance with IESNA LM-79. As specified by IESNA LM-79 the entire luminaire is tested as the source resulting in a luminaire efficiency of 100%.

SCV-LED-15L-SC-50

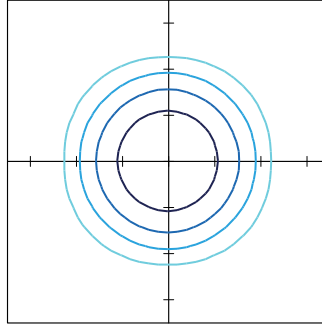
Luminaire Data

Wide Distribution	
Description	5000 Kelvin, 80 CRI
Delivered Lumens	15,410
Watts	103
Efficacy	150
IES Type	Type VS - Very Short
BUG Rating	B3-U0-G1

Zonal Lumen Summary

Zone	Lumens	%Luminaire
Low (0-30)°	4101.6	26.6%
Medium (30-60)°	8386.4	54.4%
High (60-80)°	2748.8	17.8%
Very High (80-90)°	173.4	1.1%
Uplight (90-180)°	0.0	0.0%
Total Flux	15410.2	100%

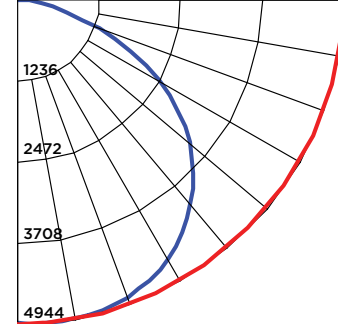
ISOFOOT CANDLE PLOT



15' Mounting Height / 15' Grid Spacing

■ 5 FC
 ■ 2 FC
 ■ 1 FC
 ■ 0.5 FC

POLAR CURVE



SCV-LED-23L-SCFT-50

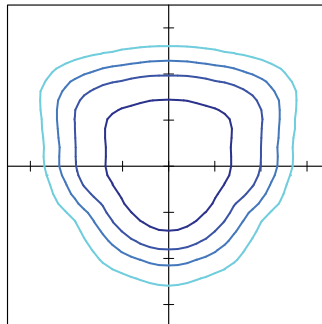
Luminaire Data

Wide Distribution	
Description	5000 Kelvin, 80 CRI
Delivered Lumens	24,361
Watts	191.5
Efficacy	127
IES Type	Type IV - Short
BUG Rating	B3-U0-G3

Zonal Lumen Summary

Zone	Lumens	%Luminaire
Low (0-30)°	4368.4	17.9%
Medium (30-60)°	12592.5	51.7%
High (60-80)°	6960.6	28.6%
Very High (80-90)°	439.5	1.8%
Uplight (90-180)°	0.0	0.0%
Total Flux	24361.0	100%

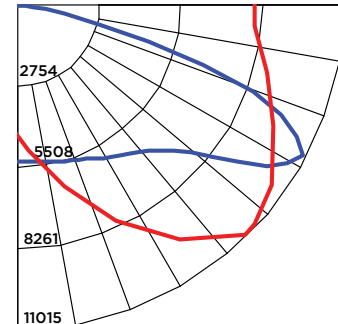
ISOFOOT CANDLE PLOT

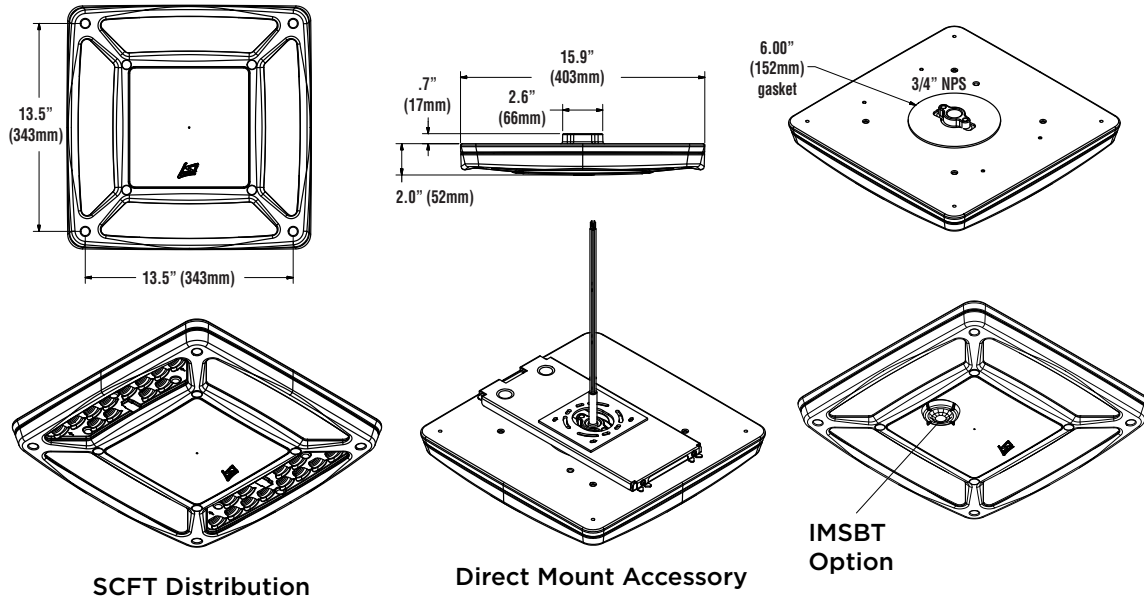


15' Mounting Height / 15' Grid Spacing

■ 5 FC
 ■ 2 FC
 ■ 1 FC
 ■ 0.5 FC

POLAR CURVE



**PRODUCT DIMENSIONS**[Back to Quick Links](#)**CONTROLS****AirLink Wireless Lighting Controller**

The AirLink integrated controller is a California Title 24 compliant lighting controller that provides real-time light monitoring and control with utility-grade power monitoring. It includes a 24V sensor input and power supply to connect a sensor into the outdoor AirLink wireless lighting system.

The wireless integrated controller is compatible with this fixture.

Click the link below to learn more details about AirLink.

<https://www.lsicorp.com/wp-content/uploads/documents/products/airlink-outdoor-specsheet.pdf>

Integral Bluetooth™ Motion and Photocell Sensor (IMSBT)

Slim low profile sensor provides multi-level control based on motion and/or daylight. Sensor controls 0-10 VDC LED drivers and is rated for cold and wet locations (-30° C to 70° C). Two unique PIR lenses are available and used based on fixture mounting height. All control parameters are adjustable via an iOS or Android App capable of storing and transmitting sensor profiles.

Click the link below to learn more details about IMSBT.

<https://www.lsicorp.com/wp-content/uploads/documents/products/imsbt-specsheet.pdf>

AirLink™ Blue

Wireless Bluetooth Mesh Lighting Control System that provides energy savings, code compliance and enhanced safety/security. Three key components; Bluetooth wireless radio/sensor controller, Time Keeper and an App. Capable of grouping multiple fixtures and sensors as well as scheduling time-based events by zone. Radio/Sensor Controller is factory integrated into luminaires.

Click the link below to learn more details about AirLink Blue.

<https://www.lsicorp.com/product/airlink-blue/>

RETROFIT KITS

LSI Industries offers a full line of Retrofit Kits for existing Encore, Richmond, 2x2 Universal and many more older canopy luminaires.

Click the link below to see more details on all our Retrofit Kits.

<https://www.lsicorp.com/wp-content/uploads/all/scv-petro-retrofit-specsheet.pdf>