



Scottsdale® SCM SE

Car Wash Series



IP66



OVERVIEW

Lumen Package	7,000 - 20,000
Wattage Range	56 - 147
Efficacy Range (LPW)	122 - 153
Weight lbs(kg)	17.5 (7.9)

QUICK LINKS

[Ordering Guide](#)
[Performance](#)
[Photometrics](#)
[Dimensions](#)

FEATURES & SPECIFICATIONS

Construction

- Rugged low-profile die-cast aluminum housing can be pendant mounted via a 5 inch stem (included) or surface mounted via an accessory Car Wash Surface Mount Box (part number 759378).
- Low profile 2" luminaire height and lightweight design is ideal for car wash applications and allows for easy installation.
- Below access to optical chamber and driver housing for serviceability
- Fixtures are finished via a two step process. First the components are coated with an epoxy primer powder which is baked on and followed by a superdurable polyester powder top coat for superior corrosion resistance. Car Wash Surface Mount Accessory Box is also finished in the same two step process for superior corrosion resistance. Tested per ASTM G85 ANNEX 5 (A5).
- Shipping weight: 17.5 lbs in carton.
- Suitable for wet locations.

Optical System

- Symmetrical distribution directs uniform light through a clear tempered glass lens with a diamond pattern on one side and smooth on the other for a soft focus effect.
- Available in 5000K, 4000K and 3000K color temperatures per ANSI C78.377.
- Minimum CRI of 70.

Electrical

- High-performance factory programmable driver features over-voltage, under voltage, short-circuit and over temperature protection with integral 6kV surge protection that meets IEEE C62.41.2 and ANSI C82.77 -5 Location Category C Low standards. Optional 10kV surge protection meets Category C Medium location as per IEEE C62.41.2.
- 0-10 volt dimming (10% - 100%) standard.
- Standard Universal Voltage (120-277 VAC) Input 50/60 Hz or optional High Voltage (347-480V).
- LM80 Calculated Life: >100k Hours (See Lumen Maintenance chart)
- Total harmonic distortion: <20%
- Operating temperature: -40°C to +50°C (-40°F to +122°F) when mounted to Steel/Aluminum surfaces. If mounted to a non-metallic surface, reduce ambient by 10°C.
- Power factor: >0.90
- Input power stays constant over life.
- High-efficacy LEDs with integrated circuit board mount to the housing to maximize heat dissipation and promote long life.
- Driver components are fully encased in potting material for moisture resistance. Driver complies with FCC standards.

Installation

- Pendant Mounting via a 5 inch pendant (included) to a UL listed, wet location junction box with a 3/4" threaded cover plate capable of holding 20 lbs. (J-box and cover plate not included)
- Surface ceiling mount via an accessory Car Wash Surface Mount Aluminum Box (part number 759378). Four fasteners and three self stripping moisture resistant electrical pigtail connectors are provided with the fixture for use mounting the fixture to the surface mount box. Four suitable fasteners required to mount the surface mount box to the ceiling are not included and must be provided by others.

Warranty

- LSI luminaires carry a 5-year limited warranty. Refer to <https://www.lsicorp.com/resources/terms-conditions-warranty/> for more information.

Listing

- Listed to UL 1598 and UL 8750.
- Meets Buy American Act requirements.
- IP66 Rated Luminaire





Scottsdale® Car Wash Series

ORDERING GUIDE

[Back to Quick Links](#)TYPICAL ORDER EXAMPLE: **SCM LED 13L SC UNV DIM 50 WHT SE**

Prefix	Mounting	Source	Light Package	Distribution	Voltage	Driver	Color Temp	Finish	Special Environment
SCM - Car Wash Series	Blank - Canopy	LED	8L - 8,000 13L - 13,000 15L - 15,000 20L - 20,000	SC - Standard Symmetric	UNV - 120 - 277V HV - 347-480V	DIM - Standard 0-10V	50 - 5000K 40 - 4000K 30 - 3000K	WHT - White	SE - CAR WASH SPECIAL ENVIRONMENT pendant mounted. For surface mounting order accessory box below.

Accessory Ordering Information

Description	Part Number
Car Wash Surface Mount Aluminum Box White	763340WHT

Standard finish is white (WHT), black (BLK) and bronze (BRZ) are also available.

PERFORMANCE

[Back to Quick Links](#)

DELIVERED LUMENS*											
Lumen Level	Distribution	3000K			4000K			5000K			Avg. Wattage
		Delivered Lumens	Efficacy	BUG Rating	Delivered Lumens	Efficacy	BUG Rating	Delivered Lumens	Efficacy	BUG Rating	
8L	SC	7010	125	B2-U0-G1	7983	145	B3-U0-G1	7983	145	B3-U0-G1	56
13L	SC	11758	137	B3-U0-G1	13039	153	B3-U0-G1	13039	153	B3-U0-G1	86
15L	SC	13927	125	B3-U0-G1	15630	141	B3-U0-G1	15630	141	B3-U0-G1	111
20L	SC	17968	122	B4-U0-G1	19989	137	B4-U0-G2	19989	137	B4-U0-G2	147

*LEDs are frequently updated therefore values are nominal.

ELECTRICAL DATA - Current Draw AMPS*							
Lumen Level	Wattage	120V	208V	240V	277V	347V	480V
8L	56	0.47	0.27	0.23	0.20	0.16	0.12
13L	86	0.72	0.41	0.36	0.31	0.25	0.18
15L	111	0.93	0.53	0.46	0.40	0.32	0.23
20L	147	1.23	0.71	0.61	0.53	0.42	0.31

*Electrical data at 25°C (77°F). Actual wattage may differ by +/-10%.

RECOMMENDED LUMEN MAINTENANCE - SCM 20L ¹					
Ambient Temperature	Initial ²	25K hrs. ²	50K hrs. ²	75K hrs. ³	100K hrs. ³
25	100%	95%	90%	85%	80%
30	100%	95%	89%	84%	79%
35	100%	94%	89%	83%	78%
40	100%	94%	88%	83%	77%
45	100%	94%	87%	82%	76%
50	100%	93%	87%	81%	75%

FOOTNOTES:

1 - Lumen maintenance values at 25°C are calculated per TM-21 based on LM-80 data and in-situ luminaire testing.

2 - In accordance with IESNA TM-21-11, Projected Values represent interpolated value based on time durations that are within six times (6X) the IESNA LM-80-08 total test duration (in hours) for the device under testing (DUT) i.e. the packaged LED chip).

3 - Lumen maintenance values at 25°C are calculated per TM-21 based on LM-80 data and in-situ testing times the IESNA LM-80-08 total test duration for the device under testing





Scottsdale® Car Wash Series

PHOTOMETRICS

[Back to Quick Links](#)

Luminaire photometry has been conducted by a NVLAP accredited testing laboratory in accordance with IESNA LM-79-08. As specified by IESNA LM-79-08 the entire luminaire is tested as the source resulting in a luminaire efficiency of 100%.

See <http://www.lsi-industries.com/products/led-lighting-solutions.aspx> for detailed photometric data.

SCM-LED-13L-SC-50

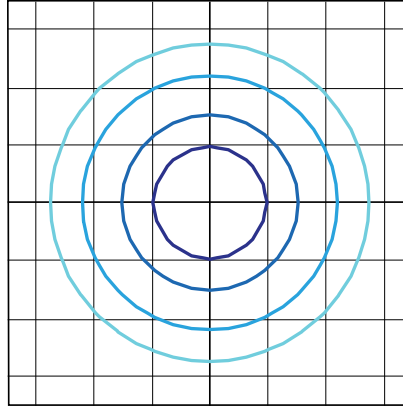
Luminaire Data

Wide Distribution	
Description	5000 Kelvin, 70 CRI
Delivered Lumens	13,039
Watts	84.7
Efficacy	154
IES Type	Type VS - Very Short
BUG Rating	B3-U0-G1

Zonal Lumen Summary

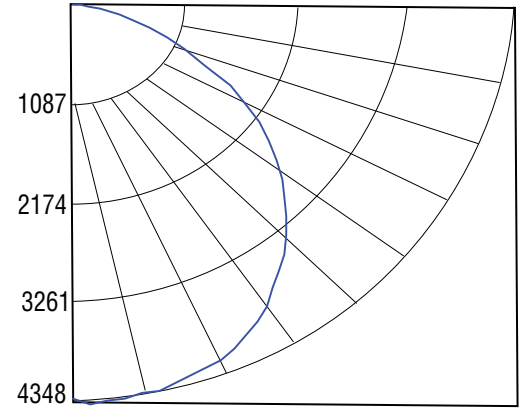
Zone	Lumens	%Luminaire
Low (0-30°)	3479.6	26.7%
Medium (30-60°)	7109.8	54.5%
High (60-80°)	2334.8	17.9%
Very High (80-90°)	114.4	0.9%
Uplight (90-180°)	0.0	0.0%
Total Flux	13038.6	100%

ISO FOOTCANDLE PLOT



20' Mounting Height/10' Grid Spacing
 ■ 10 FC ■ 5 FC ■ 2 FC ■ 1 FC

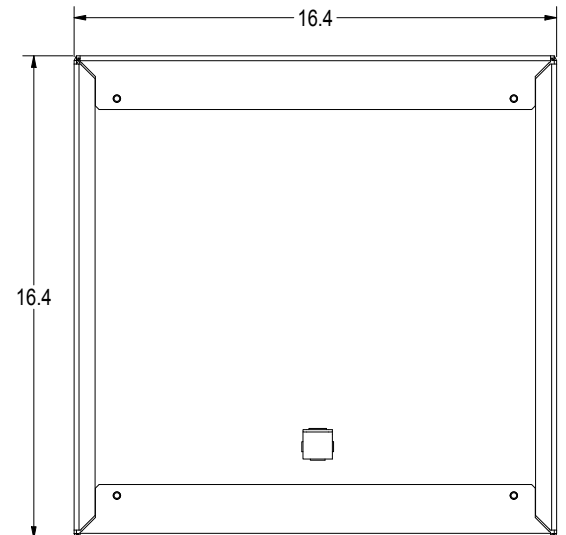
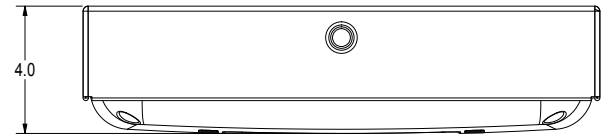
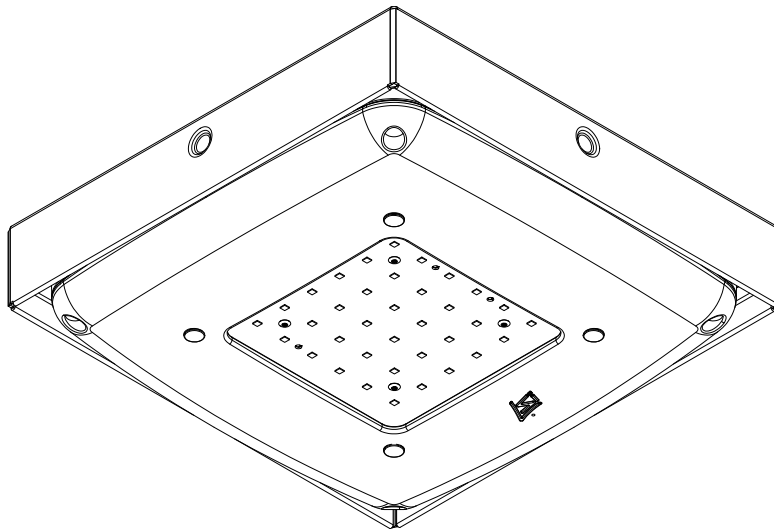
POLAR CURVE



PRODUCT DIMENSIONS

[Back to Quick Links](#)

Surface Mount





Scottsdale® Car Wash Series

PRODUCT DIMENSIONS (CONT.)

Pendant Mount

