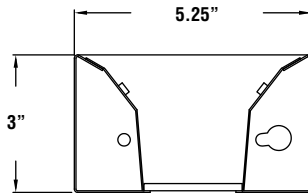


# LINIARC® DIRECT/INDIRECT RAIL LENSED LED



## DIMENSIONS



LIGHT OUTPUT - LED RAIL (Lens)								
LUMENS (nominal)								
RAIL 4FT	SS - Super Saver			HO - High Output			Watts	
	3000K	3500K	4000K	3000K	3500K	4000K	SS	HO
	2951	3042	3146	3962	4086	4226	34	44
RAIL 4FT	VHO - Very High Output			Watts				
	3000K	3500K	4000K	VHO				
	5030	5185	5362	63				

LED Chips are frequently updated therefore values may increase.

**ACCESSORIES** - See Accessories page for Hanging and Feed Options

## PRODUCT HIGHLIGHTS

- **LEDs** - Use of closely-spaced medium power, high-brightness chips minimizes pixilation and provides uniform luminance. Available in 4000K, 3500K and 3000K color temperatures. CRI >=80. LM-80 reports available.
- **Shielding** - Frosted Acrylic lens.
- **End Caps** - Flat end caps provide a clean finish.
- **Ceiling Type** - Mounting kits available for 15/16", 9/16" T-bar or Slot-T, and also Hard Ceilings.
- **4-Foot Incremental On-Grid Mounting** - Fixtures are available in 4 and 8 foot lengths to match handling capabilities on job site. 4-foot increments allow the fixtures to be mounted on standard ceiling grids, no matter how long the row. (Yoke mount only).
- **Easy Cable Attachment** - No locking plugs are needed with LiniArc fixtures. Hanging connections are secured by the end cap or the adjoining fixture.
- **Less Installation Labor** - Fixtures come with the connecting hardware pre-installed. Keyhole slots capture the joining screws and hold the fixture while the screws are tightened.
- **Easy Two-Way Adjustment** - Finger-action cable grippers on yoke mount allows simple height and side-to-side adjustment, and lock in place with a set screw. This allows the hangers to be pre-set to length on the ground prior to hanging the fixture.

**HOUSING** - Die Formed 20-gauge steel. Low gloss textured white polyester powder coat finish.

**REFLECTOR** - Die formed steel, high-reflectance white polyester powder coat finish.

**DRIVER** - 0-10V dimming driver standard. SS and HO outputs dim to 1%. VHO output dims to 10%. Universal voltage (120-277 VAC), 347 VAC.

**PHOTOMETRICS** - Please visit our web site at [www.lsi-industries.com](http://www.lsi-industries.com) for detailed photometric data.

**LISTING** - U.L. listed to U.S. and Canadian safety standards.

This product, or selected versions of this product, meet the standards listed below. Please consult factory for your specific requirements.



Project Name \_\_\_\_\_ Fixture Type \_\_\_\_\_  
Catalog # \_\_\_\_\_

03/29/16  
© 2016  
LSI INDUSTRIES INC.

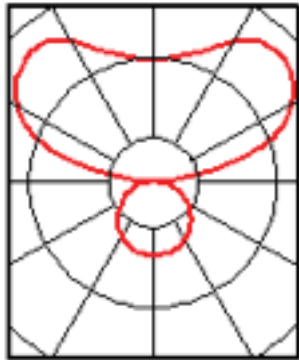
# LINIARC® DIRECT/INDIRECT RAIL LENSED LED

## ORDERING INFORMATION

TYPICAL ORDER EXAMPLE: **RAIL 8 LED FL HO NW S WHT UE**

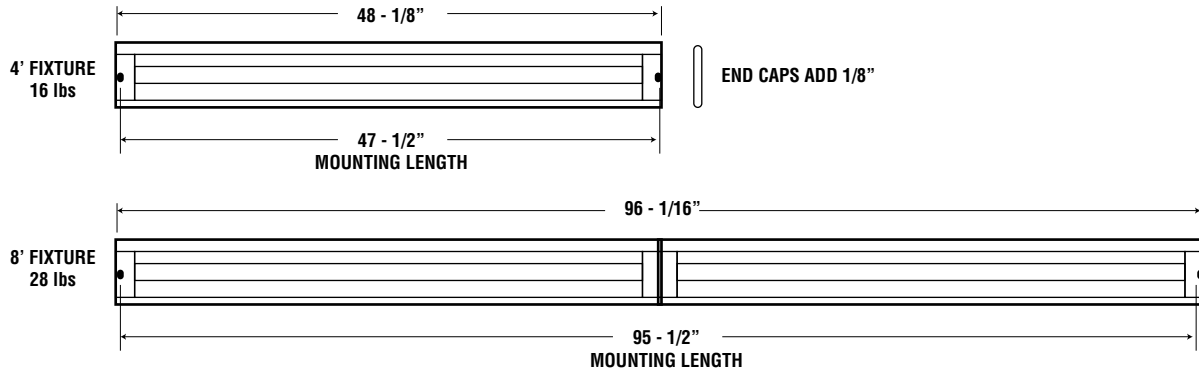
Prefix	Length	Light Source	Shielding	Drive Current	Color Temp	Circuiting	Finish	Emergency Circuiting	Options	Line Voltage
RAIL - Direct / Indirect	4 - 4 foot 8 - 8 foot	LED	FL - Frosted Lens	SS - Super Saver HO - High Output VHO - Very High Output	30- 3000K 35 - 3500K 40 - 4000K	S-Single	WHT - White BLK - Black SLV - Silver	Blank - None EF - Separate Individual Emergency Feed EH - Dedicated Emergency Thru-Wire Harness ES - Emergency Feed Through Main Single Circuit Harness	RAL - Custom Color (Specify - ex. RAL829) EC - Emergency Circuit Feed F - Fuse GMF - Slow-blow Fuse EM - Emergency Battery Pack LDE1 - Lutron EcoSystem Series H (1% dimming) OCS - Occupancy Sensor DHS - Daylight Harvesting Sensor	UE- Universal Voltage (120-277V)  347 - 347V

## PHOTOMETRICS



80/20 – Option  
4246 lumens  
84% up - 16% down  
96 lm/W

## MOUNTING SUPPORT LENGTHS & FIXTURE WEIGHTS



### CONTINUOUS ROW CABLE MOUNTING

4' FIXTURE - 4'-1/8"

8' FIXTURE - 8'-1/16"



Project Name \_\_\_\_\_ Fixture Type \_\_\_\_\_

Catalog # \_\_\_\_\_

03/29/16

© 2016

LSI INDUSTRIES INC.