



Mirada Post Top (MPP)

Outdoor LED Post Top

**IP66****IK08**

OVERVIEW

Lumen Output Range	10,000 - 25,000
Wattage Range	67 - 191
Efficacy Range (LPW)	131 - 164
CCT (K)	3000, 4000, 5000
Controls	Standalone, Wireless
Weight lbs (kg)	55 (25)

QUICK LINKS

[Ordering Guide](#)[Performance](#)[Photometrics](#)[Dimensions](#)

FEATURES & SPECIFICATIONS

Construction

- Rugged die-cast aluminum optical housing, cage, and fitter. Fitter contains factory pre-wired drivers and optional controls.
- Complete die-cast aluminum construction for maximum quality and surface finish.
- 1-PC die-cast aluminum cage with wire passages allows for IP66 full luminaire rating to protect integral components from harsh environments.
- Fixtures are finished with LSI's DuraGrip® polyester powder coat finishing process. The DuraGrip finish withstands extreme weather changes without cracking or peeling. Other standard LSI finishes available. Consult factory.
- Shipping weight: 55 lbs in carton.

Optical System

- State-of-the-Art one piece silicone optic sheet delivers industry leading optical control with an integrated gasket.
- Proprietary silicone refractor optics provide exceptional coverage and uniformity in IES Types 2, 3, 5W, FT.
- Silicone optical material does not yellow or crack with age and provides a typical light transmittance of 93%.
- Available in 5000K, 4000K, and 3000K color temperatures per ANSI C78.377.
- Minimum CRI of 70
- Integral louver (IL) and house-side shield (IH) options available for improved back-light control without sacrificing street side performance. See page 7 for more details.

- Minimal upright with less than 5% of the total lumen output going above 90°.

Electrical

- High-performance programmable driver features over-voltage, undervoltage, short-circuit and over temperature protection. Custom lumen and wattage packages available.
- 0-10V dimming (10% - 100%) standard.
- Standard Universal Voltage (120-277 Vac) Input 50/60 Hz or optional High Voltage (347-480 Vac).
- L92 Calculated Life: >100K Hours (See Lumen Maintenance on Page 3)
- Total harmonic distortion: <20%
- Operating temperature: -40°C to +50°C (-40°F to +122°F). 72L Package is limited to 40°C.
- Power factor: >.90
- Input power stays constant over life.
- Field replaceable surge protection device meets a minimum Category C Low operation (per ANSI/IEEE C62.41.2).
- High-efficacy LEDs mounted to metal-core circuit board to maximize heat dissipation
- Components are fully encased in potting material for moisture resistance. Driver complies with FCC standards.
- Internal power supplies and controls can be serviced via (2) integral fitter removable power trays.

Installation

- Designed to mount to 2-3/8"-3" OD x 3" to 4-1/2" tall tenon.
- Secures to tenon with 8 stainless steel set screws.
- 6' wire leads with strain relief zip-ties are provided in fitter for ease of wiring.

Warranty

- LSI luminaires carry a 5-year limited warranty. Refer to website for details.

Listings

- Listed to UL 1598 and UL 8750.
- Title 24 Compliant; see local ordinance for qualification information.
- Suitable for wet Locations
- IP66 rated Luminaire per IEC 60598.
- 3G rated for ANSI C136.31 high vibration applications.
- IK08 rated luminaire per IEC 66262 mechanical impact code
- DesignLights Consortium® (DLC) qualified product. Not all versions of this product may be DLC qualified. Please check the DLC Qualified Products List at www.designlights.org/QPL to confirm which versions are qualified.

Specifications and dimensions subject to change without notice.





Mirada Post Top (MPP)

[Back to Quick Links](#)

ORDERING GUIDE

TYPICAL ORDER EXAMPLE: **MPP LED 10L SIL 5W UNV DIM 40 70CRI ALSC BLK**

Luminaire Prefix	Light Source	Lumen Package*	Light Output	Distribution	Voltage	Driver
MPP - Mirada Post Top Pedestrian Scale	LED	10L - 10,000 lm 15L - 15,000 lm 20L - 20,000 lm 25L - 25,000 lm Consult factory for programmable wattages and lumen packages ⁸	SIL - Silicone	2 - Type 2 3 - Type 3 FT - Type 4 Forward Throw 5W - Type 5 Wide	UNV - Universal Voltage (120-277V) HV - High Voltage (347-480V)	DIM - 0-10V Dimming (0-10%)
Color Temp	Color Rendering	Controls (Choose One)		Finish	Options	
50 - 5,000 CCT 40 - 4,000 CCT 30 - 3,000 CCT 27 - 2,700 CCT ⁹	70CRI - 70 CRI 80CRI - 80 CRI ⁹	(Blank) - None <u>Wireless Controls System</u> ALSC - AirLink Synapse Control System ALSCH - AirLink Synapse Control System Host/Satellite <u>Stand-Alone Controls</u> EXT - 0-10v Dimming (from external signal) CR7P - 7 Pin Control Receptacle ANSI C136.41 ²		BLK - Black BRZ - Dark Bronze GMG - Gun Metal Gray GPT - Graphite MSV - Metallic Silver PLP - Platinum Plus SVG - Satin Verde Green WHT - White	(Blank) - None IH - Integral House Side Shield ² IL - Integral Louver (Sharp Spill Light Cutoff) ²	

Accessory Ordering Information³

CONTROLS ACCESSORIES		MOUNTING ACCESSORIES	
Description	Order Number	Description	Order Number
PC120 Photocell for use with CR7P option (120V) ⁴	122514	WM Wall Mount Bracket ⁵	693664CLR
PC208-277 Photocell for use with CR7P option (208V, 240V, 277V) ⁴	122515	BK MPT BO Mount ⁵	693665CLR
Twist Lock Photocell (347V) for use with CR7P ⁴	122516	Internal Tenon Adapter For 4" Square Pole ⁵	694638CLR
Twist Lock Photocell (480V) for use with CR7P ⁴	1225180	Internal Tenon Adapter 5" Square Pole ⁵	694641CLR
PMOS24 -24V Pole-Mount Occupancy Sensor ^{5,6}	663284CLR	Internal Tenon Adapter 6" Square Pole ⁵	694642CLR
AirLink 5 Pin Twist Lock Controller ⁴	61409	External Tenon Adapter 3" Round Pole ⁵	694643CLR
AirLink 7 Pin Twist Lock Controller ⁴	661410	External Tenon Adapter 3-1/2" Round/Tapered Pole ⁵	694644CLR
Shorting Cap for use with CR7P ⁴	149328	External Tenon Adapter 4" Round/Tapered Pole ⁵	694645CLR
FUSING ACCESSORIES ⁷		FOOTNOTES:	
Description	Order Number	1 - Control device or shorting cap must be ordered separately. See Accessory Ordering Information.	
Single Fusing (120V)	FK120	2 - Not available with 5W distribution	
Single Fusing (277V)	FK277	3 - Accessories are shipped separately and field installed.	
Double Fusing (208V,240V)	DFK240	4 - Factory installed CR7P option required. See Options.	
Double Fusing (347V)	DFK347	5 - "CLR" denotes finish. See Finish options.	
Double Fusing (480V)	DFK480	6 - Only available with ALSCH/ALSCH control options.	
SHIELDING ACCESSORIES ²		7 - Fusing must be located in hand hole of pole.	
IH - Integral House Side Shield	743417	8 - Custom lumen and wattage packages available consult factory. Values are within industry standard tolerances but not DLC listed.	
IL - Integral Louver (Sharp Spill Light Cutoff)	743423	9 - Consult factory for lead time and availability.	





Mirada Post Top (MPP)

[Back to Quick Links](#)

PERFORMANCE

DELIVERED LUMENS*												
Lumen Package	Distribution	CRI	3000K CCT			4000K CCT			5000K CCT			Wattage
			Delivered Lumens	Efficacy	BUG Rating	Delivered Lumens	Efficacy	BUG Rating	Delivered Lumens	Efficacy	BUG Rating	
10L	2	70	10259	153	B2-U3-G2	10685	159	B2-U3-G2	10513	157	B2-U3-G2	67
	3		10535	157	B2-U3-G2	10973	164	B2-U3-G2	10796	161	B2-U3-G2	
	5W		10136	151	B3-U3-G2	10557	158	B3-U3-G2	10387	155	B3-U3-G2	
	FT		10385	155	B3-U3-G2	10817	161	B3-U3-G2	10643	159	B3-U3-G2	
15L	2	70	14783	145	B3-U4-G3	15397	151	B3-U4-G3	15149	149	B3-U4-G3	102
	3		15181	149	B3-U3-G3	15812	155	B3-U3-G3	15557	153	B3-U3-G3	
	5W		14605	143	B4-U3-G2	15212	149	B4-U3-G2	14967	147	B4-U3-G2	
	FT		14964	147	B3-U3-G3	15586	153	B3-U3-G3	15335	150	B3-U3-G3	
20L	2	70	20226	136	B3-U4-G3	21067	141	B3-U4-G3	20728	139	B3-U4-G3	149
	3		20771	139	B3-U4-G3	21634	145	B3-U4-G3	21285	143	B3-U4-G3	
	5W		19983	134	B4-U4-G3	20814	140	B4-U4-G3	20479	137	B4-U4-G3	
	FT		20475	137	B3-U4-G3	21326	143	B3-U4-G3	20983	141	B3-U4-G3	
25L	2	70	25250	132	B4-U4-G3	26299	137	B4-U4-G3	25876	135	B4-U4-G3	191
	3		25929	136	B3-U4-G4	27007	141	B3-U4-G4	26572	139	B3-U4-G4	
			24947	131	B5-U4-G3	25983	136	B5-U4-G3	25565	134	B5-U4-G3	
	FT		25560	134	B3-U4-G4	26622	139	B3-U4-G4	26193	137	B3-U4-G4	

*LEDs are frequently updated therefore values are nominal.

ELECTRICAL DATA (AMPS)*						
Lumens	120V	208V	240V	277V	347V	480V
10L	0.56	0.32	0.28	0.24	0.19	0.14
15L	0.85	0.49	0.43	0.37	0.29	0.21
20L	1.24	0.72	0.62	0.54	0.43	0.31
25L	1.59	0.92	0.80	0.69	0.55	0.40

*Electrical data at 25C (77F). Actual wattage may differ by +/-10%

RECOMMENDED LUMEN MAINTENANCE ¹					
Ambient	Lumen Multiplier				
C	0hrs. ²	25h ²	50hr ²	75hr ²	100hr ²
0 C - 40 C	100%	98%	95%	93%	90%

1 - Lumen maintenance values at 25°C are calculated per TM-21 based on LM-80 data and in-situ luminaire testing.

2 - In accordance with IESNA TM-21-11, Projected Values represent interpolated value based on time durations that are within six times (6X) the IESNA LM-80-08 total test duration (in hours) for the device under testing ((DUT) i.e. the packaged LED chip).

3 - In accordance with IESNA TM-21-11, Calculated Values represent time durations that exceed six times NA LM-80-08 total test duration (in hours) for the device under testing ((DUT) i.e. the packaged LED chip).





Mirada Post Top (MPP)

[Back to Quick Links](#)

PHOTOMETRICS

Luminaire photometry has been conducted by a NVLAP accredited testing laboratory in accordance with IESNA LM-79-08. As specified by IESNA LM-79-08 the entire luminaire is tested as the source resulting in a luminaire efficiency of 100%.

See <http://www.lsi-industries.com/products/led-lighting-solutions.aspx> for detailed photometric data.

MPP-LED-10L-SIL-2-40-70CRI

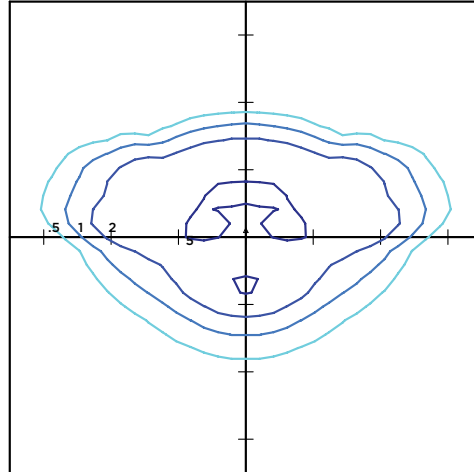
LUMINAIRE DATA

Type 2 Distribution	
Description	4000 Kelvin, 70 CRI
Delivered Lumens	10,159
Watts	73
Efficacy	139
IES Type	Type II - Short
BUG Rating	B2-U3-G2

Zonal Lumen Summary

Zone	Lumens	%Luminaire
Low (0-30)°	1014	10%
Medium (30-60)°	5631	55%
High (60-80)°	2860	28%
Very High (80-90)°	223	2%
Uplight (90-180)°	432	4%
Total Flux	10159	100%

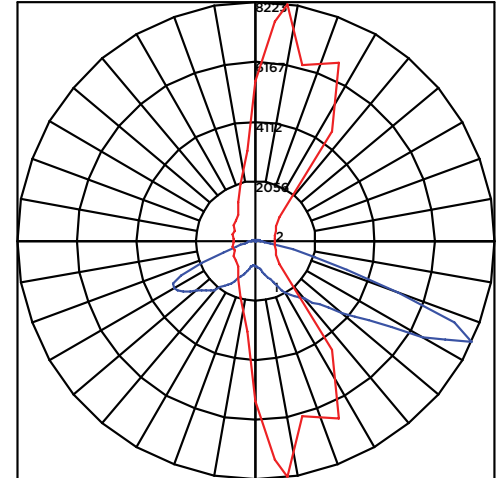
ISO FOOTCANDLE



15' Mounting Height/ 15' Grid Spacing

■ 5 FC ■ 2 FC ■ 1 FC ■ 0.5 FC

POLAR CURVE



MPP-LED-10L-SIL-3-40-70CRI

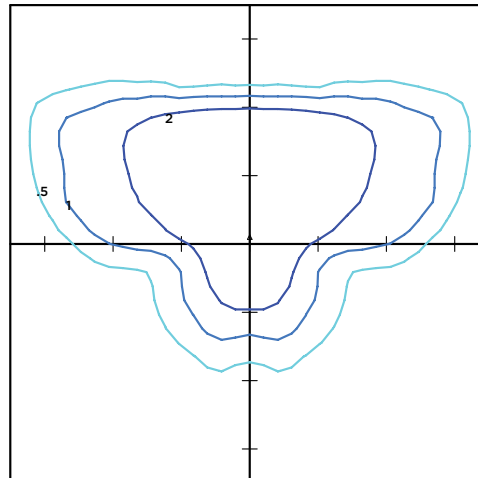
LUMINAIRE DATA

Type 3 Distribution	
Description	4000 Kelvin, 70 CRI
Delivered Lumens	10,335
Watts	73
Efficacy	142
IES Type	Type III - Medium
BUG Rating	B2-U3-G2

Zonal Lumen Summary

Zone	Lumens	%Luminaire
Low (0-30)°	667	6%
Medium (30-60)°	4607	45%
High (60-80)°	4461	43%
Very High (80-90)°	246	2%
Uplight (90-180)°	355	3%
Total Flux	10335	100%

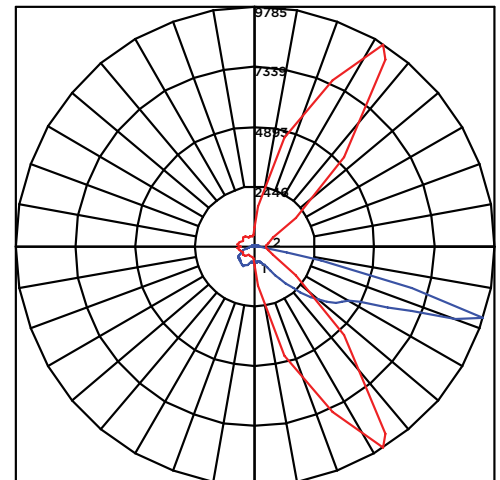
ISO FOOTCANDLE



15' Mounting Height/ 15' Grid Spacing

■ 5 FC ■ 2 FC ■ 1 FC ■ 0.5 FC

POLAR CURVE





Mirada Post Top (MPP)

PHOTOMETRICS

MPP-LED-10L-SIL-FT-40-70CRI

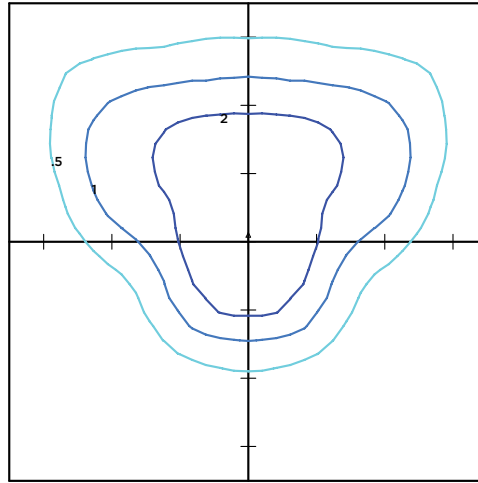
LUMINAIRE DATA

Type FT Distribution	
Description	4000 Kelvin, 70 CRI
Delivered Lumens	10,197
Watts	73
Efficacy	140
IES Type	Type IV - Medium
BUG Rating	B2-U3-G3

Zonal Lumen Summary

Zone	Lumens	%Luminaire
Low (0-30°)	936	9%
Medium (30-60°)	3938	39%
High (60-80°)	4544	45%
Very High (80-90°)	375	4%
Uplight (90-180°)	404	4%
Total Flux	10197	100%

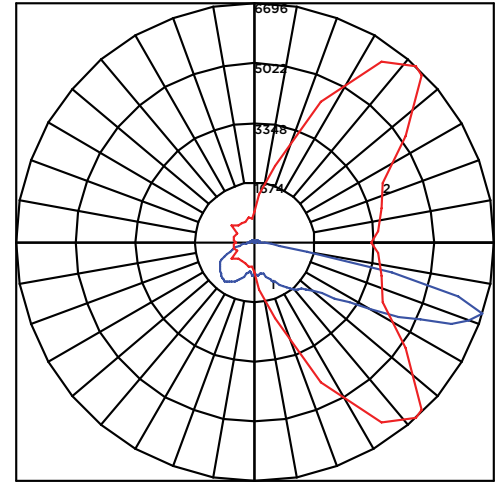
ISO FOOTCANDLE



15' Mounting Height/ 15' Grid Spacing

■ 5 FC ■ 2 FC ■ 1 FC ■ 0.5 FC

POLAR CURVE



MPP-LED-10L-SIL-5W-40-70CRI

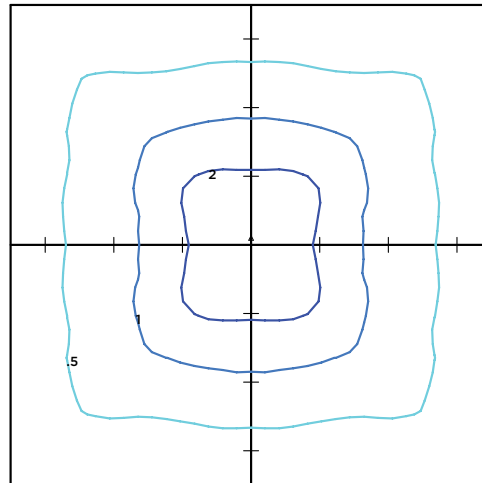
LUMINAIRE DATA

Type 5W Distribution	
Description	4000 Kelvin, 70 CRI
Delivered Lumens	9,619
Watts	73
Efficacy	132
IES Type	Type VS - Short
BUG Rating	B3-U3-G2

Zonal Lumen Summary

Zone	Lumens	%Luminaire
Low (0-30°)	645	7%
Medium (30-60°)	3566	37%
High (60-80°)	4819	50%
Very High (80-90°)	257	3%
Uplight (90-180°)	332	3%
Total Flux	9619	100%

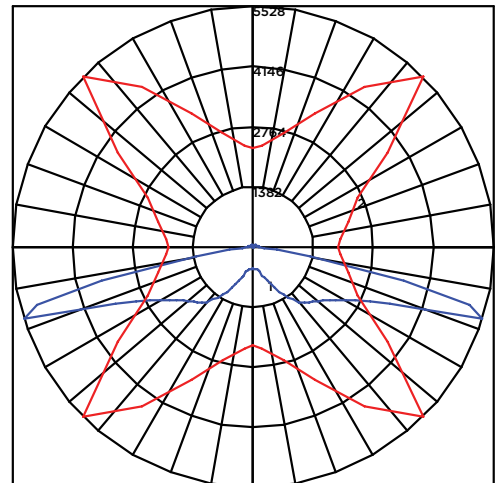
ISO FOOTCANDLE



15' Mounting Height/ 15' Grid Spacing

■ 5 FC ■ 2 FC ■ 1 FC ■ 0.5 FC

POLAR CURVE





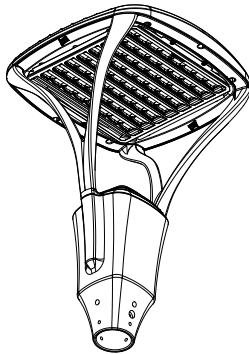
Mirada Post Top (MPP)

ACCESSORIES & OPTIONS

Integral Louver (IL) and House-Side Shield (IH)

Accessory louver and shield available for improved backlight control without sacrificing street side performance. LSI's Integral Louver (L) and Integral House-Side Shield (IH) options deliver backlight control that significantly reduces spill light behind the poles for applications with pole locations close to adjacent properties. The design maximizes forward reflected light while reducing glare, maintaining the optical distribution selected, and most importantly eliminating light trespass. Both options rotate with the optical distribution.

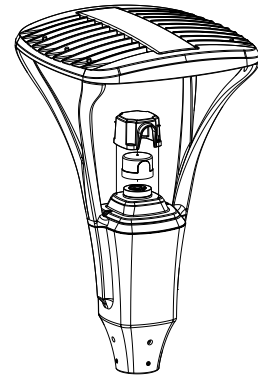
Luminaire Shown with Integral Louver (IL)



7 Pin Photoelectric Control

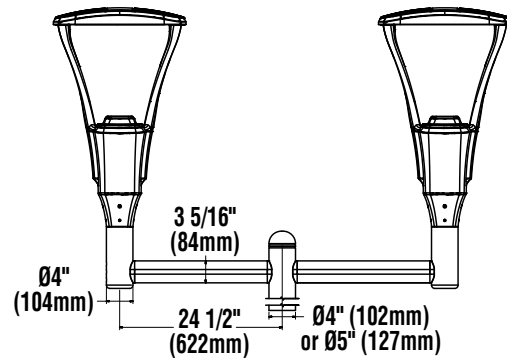
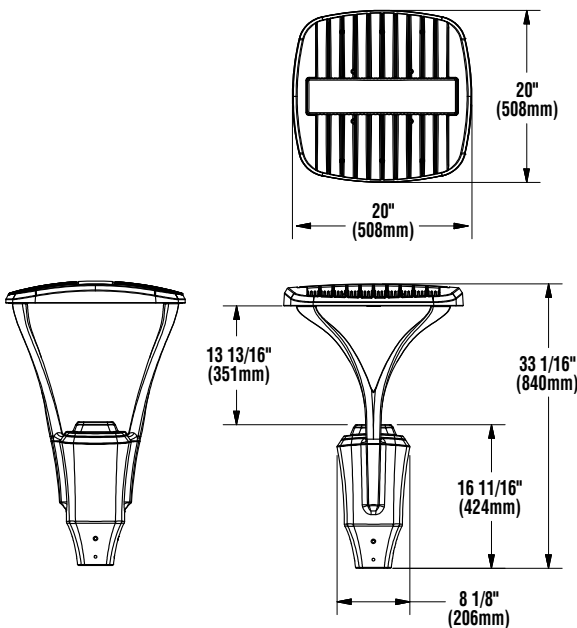
7-pin ANSI C136.41-2013 control receptacle option available for twist lock photocontrols with standard cast aluminum dog-house to shield the photocell from the luminaire's emitted light. Control accessories sold separately. Dimming leads from the receptacle will be connected to the driver dimming leads (Consult factory for alternate wiring).

Fixture Shown with CR7P

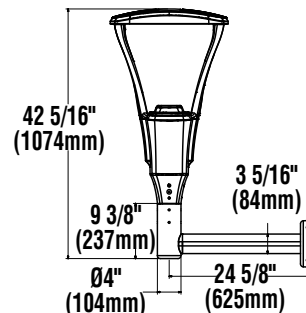


PRODUCT DIMENSIONS

[Back to Quick Links](#)



BK MPT BO Mount
Optional D180 1.5G rated Arm Assembly
Mounts to 4" or 5" Dia. D180 Bolt-on Pole
Consult factory for alternate configurations



WM Wall Mount Bracket
1.5G rated Wall Mount Arm mounts to standard 4" steel J-Box (Supplied by others) and is provided with masonry anchors for extra support.

LUMINAIRE EPA CHART - MPH			
	Mounting	EPA	
■	PT Single	PT	1.0
■	PT D180° with BK MPT BO (2)	PT	2.0



Mirada Post Top (MPP)

CONTROLS

AirLink Wireless Lighting Controller

The AirLink integrated controller is a California Title 24 compliant lighting controller that provides real-time light monitoring and control with utility-grade power monitoring. It includes a 24V sensor input and power supply to connect a sensor into the outdoor AirLink wireless lighting system. The wireless integrated controller is compatible with this fixture.

[Click here to learn more about AirLink.](#)

POLES & BRACKETS

LSI offers a full line of poles and mounting accessories to complete your lighting assembly. Aluminum and steel in both square and round shafts. In addition, LSI offers round tapered, fluted and hinge based poles. Designed and engineered for durability and protected with our oven baked DuraGrip Protection System. Also available with our DuraGrip+ Protection system for unmatched corrosion resistance and an extended warranty. American made in our Ohio facility with industry leading lead times.

[Click here to learn more details about poles & brackets.](#)



Square Internal Tenon Adaptor

The Square Pole Tenon 4", 5", & 6" Adaptors allow for the Mirada Post Top to be mounted on a square open top steel pole. Tenon adaptors slide into pole and bolt through for securing the tenon to the pole. These tenons are made hearty steel tubing, are double-welding and are painted with LSI- Duragrip Paint. Shipped with mounting hardware assembled



Round External Tenon Adaptor

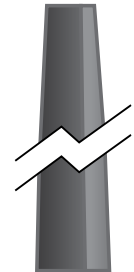
The Round Pole Top Tenon adaptors provide the right size tenon to ensure proper mounting of the Mirada Post Top onto Round tapered or straight poles. These tenons are made from hearty steel tubing, are double-welding, and are painted with LSI-Duragrip Paint. Shipped with mounting hardware assembled.



Square Pole
14'-39'



Round Pole
10'-30'



Tapered Pole
20'-39'

