



Lexington (LXM4)

LED Decorative Post Top & Area Light



OVERVIEW

Lumen Range	4,000 - 27,000
Wattage Range	39 - 228
Efficacy Range (LPW)	100 - 140
Weight lbs (kg)	64 (29)

QUICK LINKS

[Ordering Guide](#)
[Performance](#)
[Photometrics](#)
[Dimensions](#)

FEATURES & SPECIFICATIONS

Construction

- Rugged die-cast aluminum housing.
- Cast aluminum wiring access door located in lower hub/fitter.
- Rigid die-cast aluminum arms for consistency and strength.
- Precision die cast aluminum heatsink and optical frame.
- Removable spun aluminum cap/driver enclosure is retained by captive stainless steel fasteners and safety cables. Housing and top cap interface is sealed with a one-piece extruded silicone gasket. Tool-less entry option is available.
- All exposed fasteners are black oxide coated stainless steel. Internal fasteners are stainless steel or zinc electroplated steel.
- IP65 rated luminaire protects integral components from harsh environments.
- 1.5G rated for ANSI C136.31 high vibration applications
- Fixtures are finished with LSI's DuraGrip® polyester powder coat finishing process. The DuraGrip finish withstands extreme weather changes without cracking or peeling. Other standard LSI finishes available. Consult factory.

Optical System

- State-of-the-Art one piece silicone optic sheet delivers industry leading optical control with an integrated gasket to provide IP66 rated sealed optical chamber in 1 component.
- Proprietary silicone refractor optics provide exceptional coverage and uniformity in IES Types 2, 3, 5W and FT.
- Silicone optical material does not yellow or crack with age and provides a minimum light transmittance of 93%.

- Optical distributions are field rotatable (in 90° increments).
- Available in 5000K, 4000K, and 3000K (+/- 275K) color temperatures.
- Minimum CRI of 70. Consult Factory for Higher CRI requirements.
- Integral Louver (IL) option available for improved back-light control without sacrificing street side performance.

Electrical

- High-performance driver features over-voltage, under-voltage, short-circuit and over temperature protection.
- 0-10V dimming (10% - 100%) standard.
- Standard Universal Voltage (120-277 Vac) Input 50/60 Hz or optional High Voltage (347-480 Vac).
- L70 Calculated Life: >100k Hours (See Lumen Maintenance on Page 2)
- Total harmonic distortion: <20%
- Operating temperature: - -40°C to +50°C (-40°F to +122°F)
- Power factor: >.90
- Input power stays constant over life.
- Field replaceable surge protection device meets a minimum Category C Low operation (per ANSI/IEEE C62.41.2).
- High-efficacy LEDs mounted to metal-core circuit board to maximize heat dissipation
- Terminal block provided accepts up to 10ga wire, however the luminaire is supplied with a 32' 3 conductor wire harness.
- Components are fully encased in potting material for moisture resistance. Driver complies with FCC standards. Driver and key electronic components can easily be accessed.

Controls

- Optional integral passive infrared Bluetooth™ motion and photocell sensor. Fixtures operate independently and can be commissioned via iOS or Android configuration app (See page 5 for more detail).

Installation

- Mounts to 4" O.D. pole or tenon.
- Secures to pole with 6 stainless steel set screws.
- 32' wire leads are provided bundled in the slip fitter hub for ease of wiring.

Warranty

- LSI LED Fixtures carry a 5-year warranty.

Listings

- Listed to UL 1598 and UL 8750
- State of California Title 24
- IDA compliant; with 3000K color temperature selection.
- Meets Buy American Act requirements
- Suitable For wet Locations
- IP65 rated Luminaire. IP66 rated optical chamber.
- 1.5G rated for ANSI C136.31 high vibration applications





Lexington LXM4 LED Decorative Post Top & Area Light

ORDERING GUIDE

[Back to Quick Links](#)

TYPICAL ORDER EXAMPLE: **LXM4 LED 3 18L 50 UNV BLK IMSBT1**

Family	Mounting	Distribution	Light Source	Lumen Package	Color Temperature	Voltage	Finish	Option Controls	Options
LXM4 - Lexington	PT - Post Top	2 - Type II 3 - Type III 5W - Type 5 Wide FT - Forward Throw (Type IV)	LED	5L - 5,000 Lumens 10L - 10,000 Lumens 18L - 18,000 Lumens 25L - 25,000 Lumens	30 - 3000K 40 - 4000K 50 - 5000K	UNV - Universal Voltage (120-277V) HV - High Voltage (347-480V)	BRZ - Bronze BLK - Black GPT - Graphite MSV - Metallic Silver WHT - White PLP - Platinum Plus SVG - Satin Verde Green	Stand-Alone Control (Blank) - None IMSBT1 - Integral Bluetooth™ Motion and Photocell Sensor max 8-24' mounting height ³ IMSBT2 - Integral Bluetooth™ Motion and Photocell Sensor max 25-40' mounting height ³	IL - Integral Louver Shield ⁴

Accessory Ordering Information

Description	Order Number	Description	Order Number
BK MPT B04 - Bolt on Bracket (for PT 180) For 4" O.D. Round Poles	490025CLR ²	FK120 Single Fusing (120V)	FK120 ¹
BK MPT B05 - Bolt on Bracket (for PT 180) For 5" O.D. Round Poles	490035CLR ²	FK277 Single Fusing (277V)	FK277 ¹
IL - Integral Louver Shield (Black only)	654939	DFK208,240 Double Fusing (208V, 240V)	DFK208, 240 ¹
WM - Post top wall mount bracket (bronze) C/F for additional finish options	356044	DFK480 Double Fusing (480V)	DFK480 ¹
		FK347 Single Fusing (347V)	FK347 ¹
		ALSC UNV TL5 - AirLink 5 Pin Twist Lock Controller	661409
		ALSC UNV TL7 - AirLink 7 Pin Twist Lock Controller	661410

FOOTNOTES:

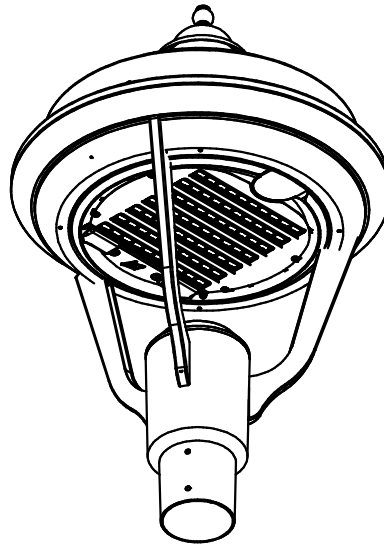
- Fusing must be located in hand hole of pole.
- Order poles with 3" reduced drilling pattern. For PT mounting configurations other than D180, consult factory. Order one bracket per fixture
- Consists of a daylight & motion dual sensor. Field configurable via the LSI app that can be downloaded from your smartphone's native app store.
- Not available with type 5W distribution.

Accessories/Options

Integral Louver (IL)

Optional Integral Louver available for improved back-light control without sacrificing street side performance.

Fixture Shown with Integral Louver (IL)





Lexington LXM4 LED Decorative Post Top & Area Light

PERFORMANCE

[Back to Quick Links](#)

DELIVERED LUMENS*											
Lumen Package	Distribution	3000K CCT			4000K CCT			5000K CCT			Wattage
		Delivered Lumens	Efficacy	BUG Rating	Delivered Lumens	Efficacy	BUG Rating	Delivered Lumens	Efficacy	BUG Rating	
5L	2	4568	117	B2-U1-G1	5047	129	B2-U1-G1	5297	136	B2-U1-G1	39
	3	4697	120	B1-U1-G2	5189	132	B1-U1-G2	5447	140	B1-U1-G2	
	FT	4575	117	B1-U1-G2	5054	129	B1-U1-G2	5305	136	B1-U1-G2	
	5W	4602	118	B3-U1-G1	5084	130	B3-U1-G1	5336	137	B3-U1-G1	
10L	2	9100	117	B2-U2-G2	10054	130	B2-U2-G2	10553	135	B2-U2-G2	78
	3	9360	120	B2-U2-G2	10341	134	B2-U2-G2	10854	139	B2-U2-G2	
	FT	9107	117	B2-U2-G2	10061	130	B2-U2-G2	10560	135	B2-U2-G2	
	5W	9152	120	B4-U2-G2	10020	130	B4-U2-G2	10517	135	B4-U2-G2	
18L	2	16650	112	B3-U2-G3	18113	122	B3-U2-G3	19012	128	B3-U2-G3	149
	3	17108	115	B3-U2-G3	18756	126	B3-U2-G3	19687	132	B3-U2-G3	
	FT	16725	112	B3-U2-G3	18336	123	B3-U2-G3	19246	129	B3-U2-G3	
	5W	16810	113	B4-U2-G2	18429	124	B4-U2-G2	19344	130	B4-U2-G2	
25L	2	22952	102	B4-U2-G3	25057	110	B4-U2-G3	26301	115	B4-U2-G3	228
	3	23544	103	B3-U2-G3	25921	114	B3-U2-G3	27208	119	B3-U2-G3	
	FT	22902	100	B3-U2-G4	25215	111	B3-U2-G4	26466	116	B3-U2-G4	
	5W	23612	104	B5-U2-G3	25996	114	B5-U2-G3	27286	120	B5-U2-G3	

*LED Chips are frequently updated therefore values are nominal.

POST TOP AND SIDE ARM - ELECTRICAL DATA (Amps)*							
Lumen Package	Wattage	120V	208V	240V	277V	347V	480V
5L	39	0.33	0.19	0.16	0.14	0.11	0.08
10L	78	0.65	0.38	0.33	0.28	0.22	0.16
18L	149	1.24	0.72	0.62	0.54	0.43	0.31
25L	228	1.90	1.10	0.95	0.82	0.66	0.48

*Electrical data at 25C (77F). Actual wattage may differ by +/-10%.

POST TOP AND SIDE ARM - RECOMMENDED LUMEN MAINTENANCE ¹					
Ambient Temp C	Initial ²	25k hr ²	50k hr ²	75k hr ³	100k hr ³
0 C	99%	97%	96%	95%	94%
10 C	99%	97%	96%	95%	93%
20 C	99%	97%	95%	94%	92%
25 C	98%	97%	95%	93%	92%
30 C	98%	97%	95%	93%	92%
40 C	98%	97%	95%	93%	91%

- Lumen maintenance values at 40C are calculated per TM-21 based on LM-80 data and in-situ testing.
- In accordance with IESNA TM-21-11, Projected Values represent interpolated value based on time durations that are within six times the IESNA LM-80-08 total test duration for the device under testing.
- In accordance with IESNA TM-21-11, Calculated Values represent time durations that exceed six times the IESNA LM-80-08 total test duration for the device under testing.





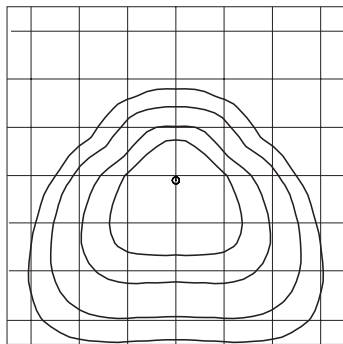
Lexington LXM4 LED Decorative Post Top & Area Light

PHOTOMETRICS

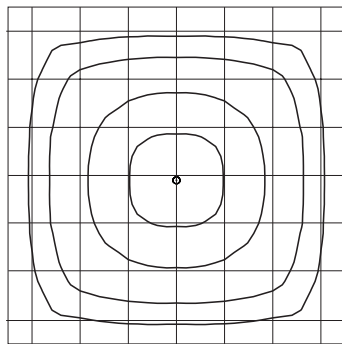
[Back to Quick Links](#)

Luminaire photometry has been conducted by a NVLAP accredited testing laboratory in accordance with IESNA LM-79-08. As specified by IESNA LM-79-08 the entire luminaire is tested as the source resulting in a luminaire efficiency of 100%.

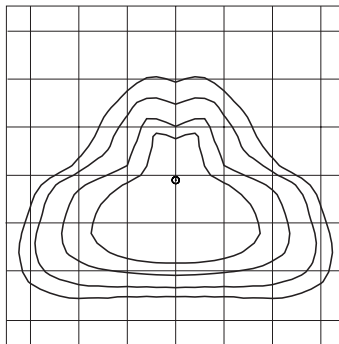
See <http://www.lsi-industries.com/products/led-lighting-solutions.aspx> for detailed photometric data.



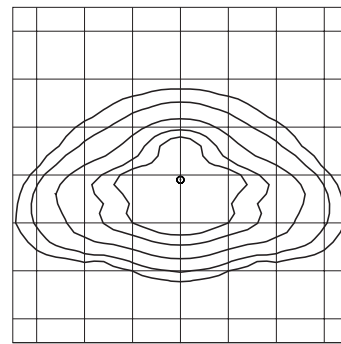
FT



5W



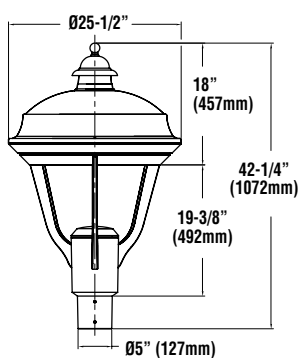
Type 3



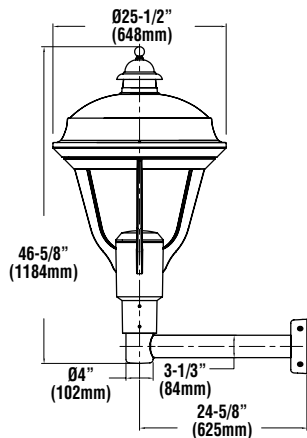
Type 2

PRODUCT DIMENSIONS

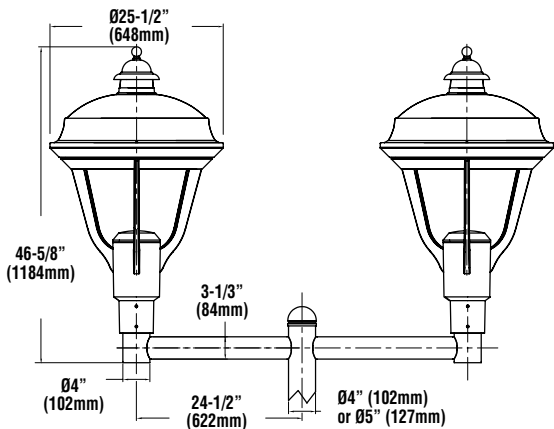
[Back to Quick Links](#)



Post Top Single
Slipfits 4" Dia. Tenon (4N) or Pole



Post Top with WM Accessory



Post Top with BK MPT BO (x2)
Mounts to 4" or 5" Dia. D180 Bolt-on Pole
(select 3" reduced drilling pattern)

LUMINAIRE EPA CHART - Lexington		
MOUNTING STYLE		
■ PT Single	PT	1.4
■ ■ ■ PT D180° with BK MPT BO (2)	PT	2.7

SHIPPING WEIGHTS - Lexington	
Catalog Number	Est. Weight (kg/lbs.)
LXM4 (PT)	29/64





Lexington LXM4 LED Decorative Post Top & Area Light

CONTROLS

Integral Bluetooth™ Motion and Photocell Sensor (IMSBT)

Slim low profile sensor provides multi-level control based on motion and/or daylight. Sensor controls 0-10 VDC LED drivers and is rated for cold and wet locations (-30° C to 70° C). Two unique PIR lenses are available and used based on fixture mounting height. All control parameters are adjustable via an iOS or Android App capable of storing and transmitting sensor profiles.

Click the link below to learn more details about IMSBT.

<https://www.lsi-industries.com/documents/datasheets/imsbt-specsheet.pdf>

Fixture Shown with IMSBT

