



LED TRADITIONAL WALLPACKS MEDIUM CUT-OFF (SFCM)



EXPECTED LIFE: Minimum 50,000 hours

LEDs: Select High-performance LEDs. Color temperature available in 5000K

CRI: Reference below Technical / Lumen Output chart

CONSTRUCTION: Precision die-cast aluminum housing with stainless steel hardware, tempered borosilicate glass refractor and ingress resistant gasket. Knock-out on housing for available button photocell accessory

DIMMING: 0-10 volt dimming, optional

PHOTOCELL - Standard.

DISTRIBUTION: Highly specular forward throw reflector

FINISH: Chip and fade resistant powder coat finish

INSTALLATION: Luminaire features a back plate designed to be easily mounted to a 4" square electrical junction box

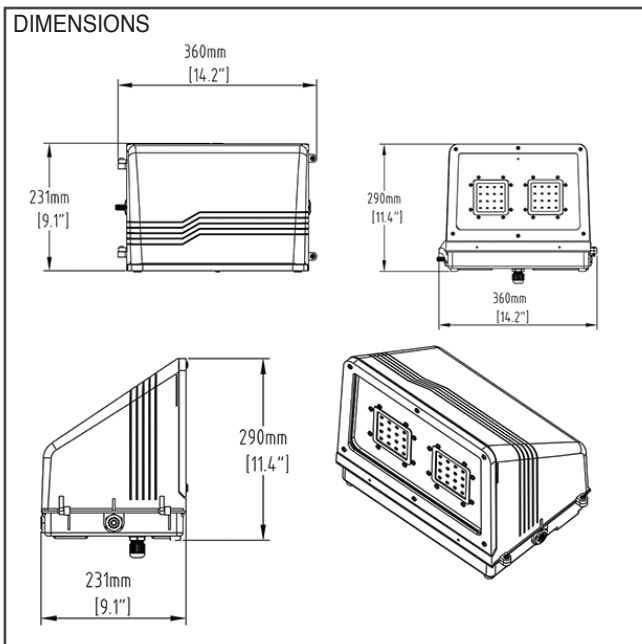
ELECTRICAL: Class 2 driver has universal voltage (120-277V, 50/60 Hz) input. 10Kv surge protection standard.

OPERATING TEMPERATURE: -35° through 40°C (-31° through 104°F)

PHOTOMETRICS: Please visit our web site at www.lsi-industries.com for detailed photometric data

WARRANTY: Limited 5-year warranty

LISTING: UL listed to U.S. and Canadian safety standards. Suitable for wet locations. For a list of the specific products in this series that are DLC listed, please consult the LED Lighting section of our website or the Design Lights website at www.designlights.org



TECHNICAL INFORMATION

MEDIUM	PL1
Color Temperature	5000K
System Wattage	33w
Replaces	175/150w HID
Lumens	3625 lms
Lumens Per Watt	108 lpw
CRI	84
Dimensions (Inches)	11.4" x 14.2" x 9.1"
Weight	8.38 lbs.



us IP65



lighting facts[®]
A Program of the U.S. DOE



LED TRADITIONAL WALLPACKS MEDIUM CUT-OFF (SFCM)

LUMINAIRE ORDERING INFORMATION

TYPICAL ORDER EXAMPLE: **SFCM WB LED PL1 50 UE BRZ PC**

Prefix	Distribution	Light Source	Drive Current	Color Temperature	Input Voltage	Finish ¹	Options
SFCM (Medium LED Cut-off)	WB - Wide Beam Flood	LED	PL1 - Performance Level 1	50 - 5000K	UE - Universal Voltage (120-277V)	BRZ - Bronze WHT - White	D - Dimming

1- Other finishes available. Consult factory.

BUG Listing

SFCM - TYPE WB

Perform. Level	Color Temp.*	Lumens	Watts	LER	BUG Rating
PL1	50	3627	34	108	B2-U1-G1

* Color Temperature: 50-5000K