



# LED ARCHITECTURAL HIGH-LUMEN FLOODS (SAFL)



**CONSTRUCTION:** Die-cast aluminum housing with integrated proprietary thermal management to insure low LED junction temperature. The low profile design and aesthetics makes it suitable for a wide range of commercial applications. Utilizing anti-aging silicone rubber, the fixture is completely sealed and gasketed, ideal for wet locations, and is IP65 rated. The LED light engine and optic lenses are protected with clear tempered glass lenses that are secured with stainless steel hardware.

**LEDs:** Select high quality LEDs are utilized, with 4,000 – 5,000K CCT and CRI of  $\geq 70$  / CRI of 80 (depending)

**ELECTRICAL:** Universal Voltage (120-277V, 50/60 HZ) and 347-480V input.

**DIMMING:** 0-10V dimming standard

**OPERATING TEMPERATURE:** -40°C through 45°C (-40°F through 113°F)

**OPTICS:** Delivers precision light quality via light engine and optical lens combinations, which are designed to distribute light in both the vertical and horizontal angles with a very specific beam pattern. Beam angle options include lenses with either 15° (SP), 30° (MF) or 85x135x (WF).

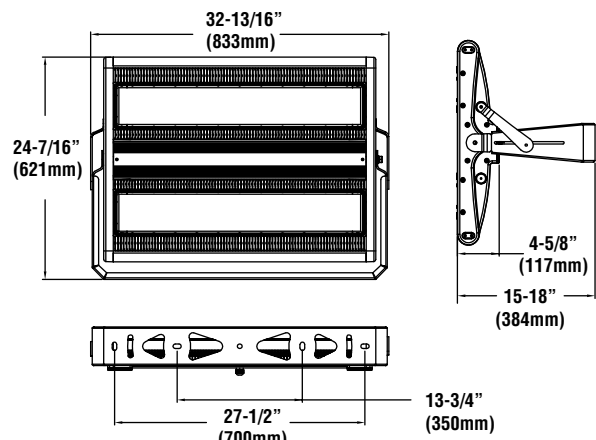
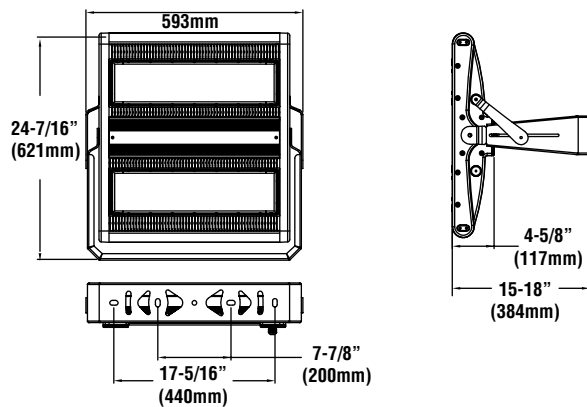
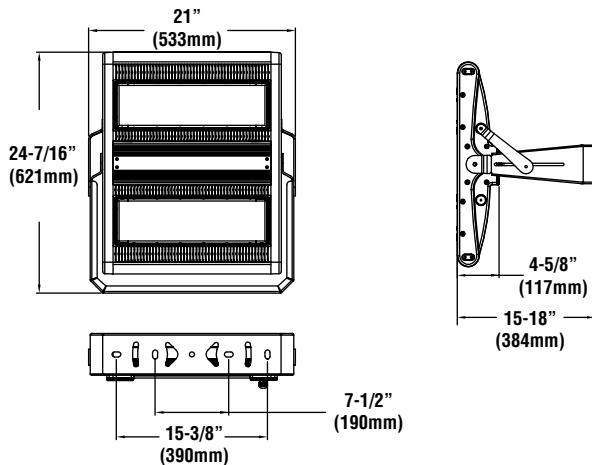
**PHOTOMETRICS:** Please visit our web site at [www.lsi-industries.com](http://www.lsi-industries.com) for detailed photometric data

**EXPECTED LIFE:** Minimum 50,000 hours

**WARRANTY:** Limited 5-year warranty

**LISTING:** ETL listed to U.S. and Canadian safety standards. Suitable for wet locations (IP65). For a list of the specific products in this series that are DLC listed, please consult the LED Lighting section of our website or the Design Lights website at [www.designlights.org](http://www.designlights.org)

## DIMENSIONS





# LED ARCHITECTURAL HIGH-LUMEN FLOODS (SAFL)

## LUMINAIRE ORDERING INFORMATION

TYPICAL ORDER EXAMPLE: **SAFL SP LED PL1 50 UE BLK**

Prefix	Distribution	Light Source	Performance Level	Color Temperature	Input Voltage	Finish <sup>1</sup>	Options
SAFL - LED Architectural Flood Large	SP MF WF	LED	PL1 - Performance Level 1 PL2 - Performance Level 2 PL3 - Performance Level 3 PL4 - Performance Level 4	40 - 4000K 50 - 5000K	UE - Universal Voltage (120-277V)  347-480V	BLK - Black	Blank - Heavy Duty Yoke SF - Heavy Duty Slip Fitter OS - Occupancy Sensor PCR - Photo Cell Receptacle

### FOOTNOTES

1. Other finishes available. Consult factory.

## TECHNICAL INFORMATION

### SAFL (Large)

Feature	PL1	PL2	PL3	PL4
Input Voltage	90-305V AC, 50/60 Hz			
System Power	390w	440w	550w	640w
Lumens	34,902	46,136	56,517	67,474
Beam Angle	15° (SP), 30° (MF) or 85°x135° (WF)			
CCT	4,000K, 5,000K			
CRI (^)	70			
Lifespan	50,000 Hrs			
Operating Temp	-40°C through 45°C			
Weight	17.0kg	19.0kg	27.0kg	27.5kg
E.P.A.	2.5	2.8	4.1	4.1

Catalog Number	NEMA Type	Field Angle		Beam Angle		Max CD	Lumens	Watts	LPW
		H°	V°	H°	V°				
SAFL-SP-LED-PL1-50	3 H x 3 V	43.5	43.6	19.6	19.6	151,706	35,725	330	108
SAFL-SP-LED-PL2-50	3 H x 3 V	43.5	43.6	19.6	19.6	202,275	47,633	440	108
SAFL-SP-LED-PL3-50	3 H x 3 V	43.5	43.6	19.6	19.6	222,432	52,380	550	95
SAFL-SP-LED-PL4-50	3 H x 3 V	43.5	43.6	19.6	19.6	266,919	62,856	660	95
SAFL-MF-LED-PL1-50	4 H x 4 V	62.4	62.7	27.7	27.6	86,019	34,710	336	103
SAFL-MF-LED-PL2-50	4 H x 4 V	62.4	62.7	27.7	27.6	114,692	46,281	446	104
SAFL-MF-LED-PL3-50	4 H x 4 V	62.4	62.7	27.7	27.6	140,498	56,694	557	102
SAFL-MF-LED-PL4-50	4 H x 4 V	62.4	62.7	27.7	27.6	167,738	67,685	669	101
SAFL-WF-LED-PL1-50	7 H x 6 V	146.5	100.1	125.7	74.8	20,787	31,820	330	96
SAFL-WF-LED-PL2-50	7 H x 6 V	146.5	100.1	125.7	74.8	27,715	42,427	440	96
SAFL-WF-LED-PL3-50	7 H x 6 V	146.5	100.1	125.7	74.8	34,644	53,401	550	97
SAFL-WF-LED-PL4-50	7 H x 6 V	146.5	100.1	125.7	74.8	41,573	63,640	660	96

LED Chips are frequently updated therefore values may increase.

NEMA Type	Field Angle Degree Range
0	<10
1	10 - 18
2	18 -29
3	29-48
4	46 -70
5	70 - 100
6	100 -130
7	130 - up



Project Name \_\_\_\_\_ Fixture Type \_\_\_\_\_ Cat# \_\_\_\_\_