



Hilton (HLN)

Outdoor Area Light



OVERVIEW

Lumen Output Range	18,000 - 32,000
Wattage Range	155 - 310
Efficacy Range (LPW)	95 - 120
Weight lbs (kg)	30 (13.6)

QUICK LINKS

[Ordering Guide](#)
[Performance](#)
[Photometrics](#)
[Dimensions](#)

FEATURES & SPECIFICATIONS

Construction

- Round thick gauge spun aluminum housing and top-access cover.
- Rigid extruded aluminum bracket arm for consistency and strength.
- Precision die cast aluminum heatsink and optical frame.
- A round pole plate (RPP2) is provided as standard for mounting to 3" - 5" round poles.
- All exposed fasteners are black oxide coated stainless steel. Internal fasteners are stainless steel or zinc electroplated steel.
- Luminaire is proudly made in the U.S.
- Fixtures are finished with LSI's DuraGrip® polyester powder coat finishing process. The DuraGrip finish withstands extreme weather changes without cracking or peeling. Other standard LSI finishes available. Consult factory.
- LSI offers optional color coordinated decals in 9 standard colors to accent the fixture. Decals are guaranteed for five years against peeling, cracking, or fading. (See ordering guide for color options)
- Shipping weight: 30 lbs in carton.

Optical System

- State-of-the-Art one piece silicone optic sheet delivers industry leading optical control with an integrated gasket to provide IP66 rated sealed optical chamber in 1 component.
- Proprietary silicone refractor optics provide exceptional coverage and uniformity in IES Types 2, 3, 5W and FT.
- Silicone optical material does not yellow or crack with age and provides a typical light transmittance of 93%.

Electrical

- Zero uplight.
- Available in 5000K, 4000K, and 3000K color temperatures per ANSI C78.377.
- Minimum CRI of 70
- Integral louver (IL) option available for improved backlight control without sacrificing street side performance.
- High-performance programmable driver features over-voltage, undervoltage, short-circuit and over temperature protection. Custom lumen and wattage packages available.
- 0-10V dimming (10% - 100%) standard.
- Standard Universal Voltage (120-277 Vac) Input 50/60 Hz or optional High Voltage (347-480 Vac).
- L70 Calculated Life: >100k Hours
- Total harmonic distortion: <20%
- Operating temperature: -40°C to +50°C (-40°F to +122°F).
- Power factor: >.90
- Input power stays constant over life.
- Field replaceable surge protection device meets a minimum Category C Low operation (per ANSI/IEEE C62.41.2).
- High-efficacy LEDs mounted to metal-core circuit board to maximize heat dissipation
- Terminal block provided accepts up to 10ga wire.
- Components are fully encased in potting material for moisture resistance. Driver complies with FCC standards.

Installation

- Three stainless steel captive top-cover fasteners provide secure top cover closure and allow easy access with no loose hardware. The top cover is attached to housing via a tether clip, which frees both hands while installing/ servicing.
- Included terminal block provides quick and easy on-site wiring.
- Stainless/plated steel threaded rod, nuts, and nut plate fasten the housing securely to the pole through the extruded aluminum arm.
- Utilizes LSI's traditional B5 drill pattern for easy retrofitting of legacy LSI products.

Warranty

- LSI luminaires carry a 5-year limited warranty. Complete warranty terms are located on our website.

Listings

- Listed to UL 1598 and UL 8750.
- RoHS Compliant.
- Title 24 Compliant; see local ordinance for qualification information.
- Suitable for wet Locations
- IP65 rated luminaire (per IEC 60598) protects integral components from harsh environments. IP66 rated optical chamber.
- 1.5G rated for ANSI C136.31 high vibration applications.
- DesignLights Consortium® (DLC) qualified product. Not all versions of this product may be DLC qualified. Please check the DLC Qualified Products List at www.designlights.org/QPL to confirm which versions are qualified.





Hilton Outdoor Area Light

ORDERING GUIDE

[Back to Quick Links](#)TYPICAL ORDER EXAMPLE: **HLN 5W LED 18L 50 UE BRZ IMSBT**

Luminaire Prefix	Distribution	Light Source	Lumen Package	Color Temp	Voltage	Finish	Controls	Options
HLN - Hilton	2 - Type 2 3 - Type 3 FT - Type 4 Forward Throw 5W - Type 5 Wide	LED	18L - 18,000 lms 27L - 27,000 lms 32L - 32,000 lms Custom Lumen Packages ⁶	50 - 5,000K CCT 40 - 4,000K CCT 30 - 3,000K CCT	UE - Universal Voltage (120-277V) HV - High Voltage (347-480V)	BRZ - Dark Bronze BLK - Black GMG - Gun Metal Gray GPT - Graphite MSV - Metallic Silver WHT - White PLP - Platinum Plus SVG - Satin Verde Green	(Blank) - None Wireless Controls System ALBCS1 - AirLink Blue Wireless Motion & Photo Sensor Controller (8-24' MH) ALBCS2 - AirLink Blue Wireless Motion & Photo Sensor Controller (25-40' MH) Stand-Alone Controls IMSBT1 - Integral Bluetooth™ Motion and Photocell Sensor max 8-24' mounting height ² IMSBT2 - Integral Bluetooth™ Motion and Photocell Sensor (max 25-40' mounting height ²) CR7P - 7 Pin Control Receptacle ANSI C136.41 ¹	(Blank) - None IL - Integral Louver Shield Color Decals 45 Light Gold 20 Charcoal Metallic 55 Black 94 Blue Metallic 59 Dark Green 51 Dark Red 21 Tomato Red 50 White 700 Aztec Silver Metallic

Accessory Ordering Information³

CONTROLS ACCESSORIES	
Description	Order Number
PC120 PhotoCell for use with CR7P option (120V) ⁴	122514
PC208-277 Photocell for use with CR7P option (208V, 240V, 277V) ⁴	122515
Twist Lock Photocell (347V) for use with CR7P ⁴	122516
Twist Lock Photocell (480V) for use with CR7P ⁴	1225180
AirLink 5 Pin Twist Lock Controller ⁴	61409
AirLink 7 Pin Twist Lock Controller ⁴	661410
Shorting Cap for use with CR7P ⁴	149328

FUSING ACCESSORIES ⁵	
Description	Order Number
Single Fusing (120V)	
Single Fusing (277V)	See Fusing Guide
Double Fusing (208V,240V)	
Double Fusing (347V)	
Double Fusing (480V)	

SHIELDING ACCESSORIES ²	
Description	Order Number
IL - Integral Louver (Sharp Spill Light Cutoff)	654939

FOOTNOTES:

- Control device or shorting cap must be ordered separately. See Accessory Ordering Information.
- IMSBT is field configurable via the LSI app that can be downloaded from your HLNrtphone's native app store.
- Accessories are shipped separately and field installed.
- Factory installed CR7P option required. See Options.
- Fusing must be located in hand hole of pole.
- Custom lumen and wattage packages available consult factory. Values are within industry standard tolerances but not DLC listed.



Hilton Outdoor Area Light

PERFORMANCE

[Back to Quick Links](#)

DELIVERED LUMENS*												
Lumen Package	Distribution	CRI	3000K			4000K			5000K			Wattage
			Delivered Lumens	Efficacy	BUG Rating	Delivered Lumens	Efficacy	BUG Rating	Delivered Lumens	Efficacy	BUG Rating	
18L	2	70	16615	107	B3-U0-G3	17913	116	B3-U0-G3	17967	116	B3-U0-G3	155
	3		17247	111	B2-U0-G3	18585	120	B2-U0-G3	18641	120	B2-U0-G3	
	FT		17073	110	B3-U0-G3	18398	119	B3-U0-G3	18453	119	B3-U0-G3	
	5W		16689	108	B4-U0-G2	17984	116	B4-U0-G2	18038	116	B4-U0-G2	
27L	2	70	24086	101	B3-U2-G3	27039	114	B4-U2-G4	27119	114	B4-U2-G4	238
	3		24433	103	B3-U2-G3	27422	115	B3-U2-G4	27504	116	B3-U2-G4	
	FT		24329	102	B3-U2-G3	27305	115	B3-U2-G4	27387	115	B3-U2-G4	
	5W		23786	100	B4-U2-G2	26696	112	B4-U2-G2	26776	113	B4-U2-G2	
32L	2	70	29495	95	B4-U2-G3	32137	104	B4-U2-G3	32250	104	B4-U2-G3	310
	3		30104	97	B3-U2-G4	32793	106	B3-U2-G4	32891	106	B3-U2-G4	
	FT		30489	98	B3-U2-G4	33212	107	B3-U2-G4	33312	107	B3-U2-G4	
	5W		29484	95	B5-U2-G3	32129	104	B5-U2-G3	32225	104	B5-U2-G4	

*LEDs are frequently updated therefore values are nominal.

ELECTRICAL DATA*						
Lumen Package	120V	208V	240V	277V	347	480V
18L	1.29	0.75	0.65	0.56	0.45	0.32
27L	1.98	1.14	0.99	0.86	0.69	0.50
32L	2.58	1.49	1.29	1.12	0.89	0.65

*Electrical data at 25C (77F). Actual wattage may differ by +/-10%.



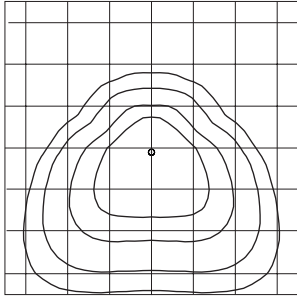


Hilton Outdoor Area Light

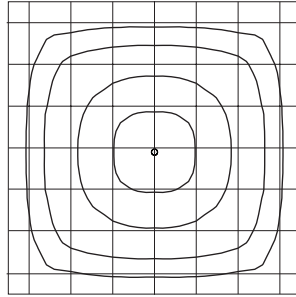
PHOTOMETRICS

[Back to Quick Links](#)

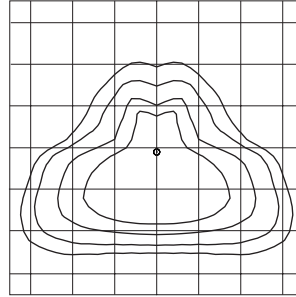
Luminaire photometry has been conducted by an accredited laboratory in accordance with IESNA LM-79. As specified by IESNA LM-79 the entire luminaire is tested as the source resulting in a luminaire efficiency of 100%.



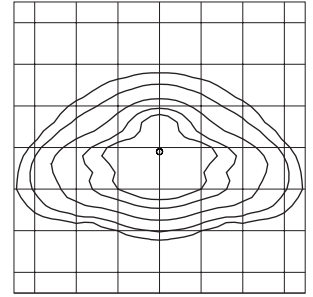
FT



5W



Type 3



Type 2

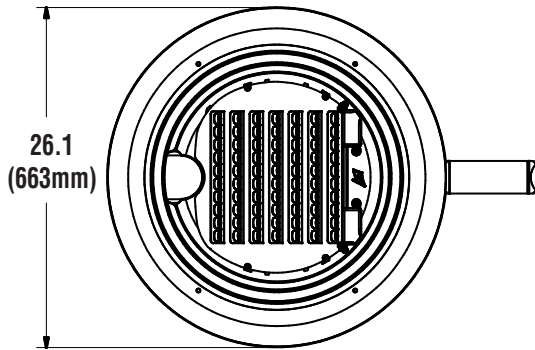
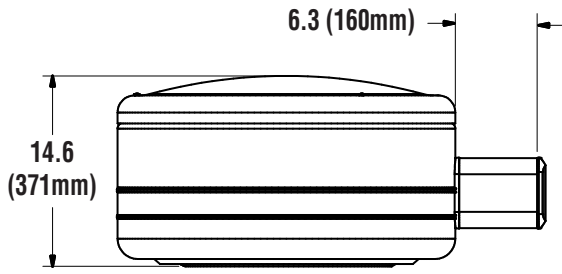




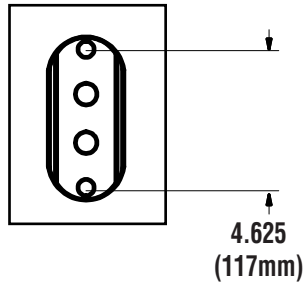
Hilton Outdoor Area Light

PRODUCT DIMENSIONS

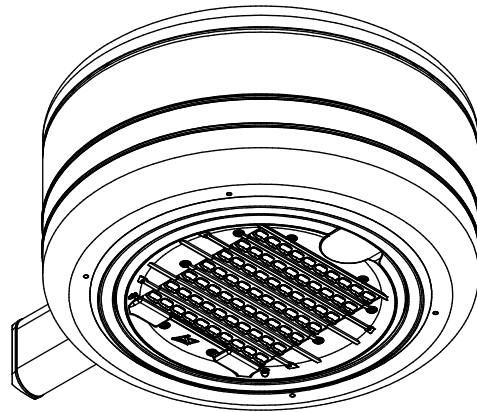
[Back to Quick Links](#)



Mounting Detail



LUMINAIRE EPA CHART	
Single	1.9
D180°	3.7
D90°	3.3
T90°	5.2
TN120°	5.2
Q90°	6.7





Hilton Outdoor Area Light

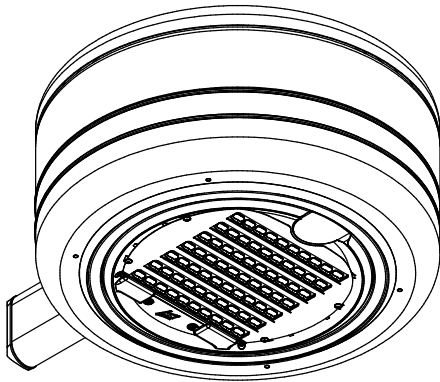
ACCESSORIES/OPTIONS

[Back to Quick Links](#)

Integral Louver (IL)

Optional Integral Louver available for improved back-light control without sacrificing street side performance.

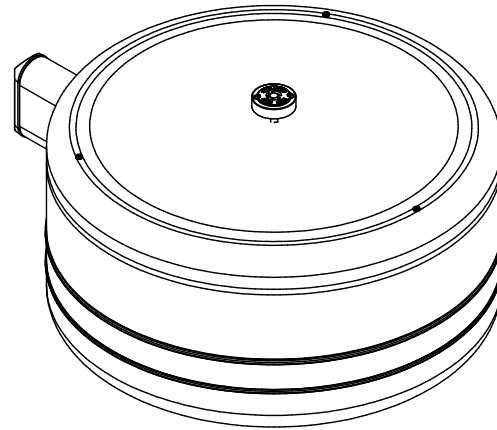
Fixture Shown with Integral Louver (IL)



7 Pin Photoelectric Control

7-pin ANSI C136.41-2013 photocontrol receptacle option available for twist lock photocontrols or wireless control modules. Control accessories sold separately. Dimming leads from the receptacle will be connected to the driver dimming leads (Consult factory for alternate wiring).

Fixture Shown with CR 7P



CONTROLS

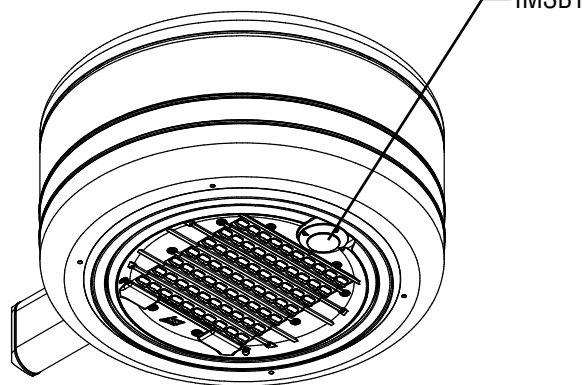
Integral Bluetooth™ Motion and Photocell Sensor (IMSBT)

Slim low profile sensor provides multi-level control based on motion and/or daylight. Sensor controls 0-10 VDC LED drivers and is rated for cold and wet locations (-30° C to 70° C). Two unique PIR lenses are available and used based on fixture mounting height. All control parameters are adjustable via an iOS or Android App capable of storing and transmitting sensor profiles.

Click the link below to learn more details about IMSBT.

<https://www.lsicorp.com/wp-content/uploads/documents/products/imsbt-specsheet.pdf>

Fixture Shown with IMSBT



AirLink™ Blue

Wireless Bluetooth Mesh Lighting Control System that provides energy savings, code compliance and enhanced safety/security. Three key components; Bluetooth wireless radio/sensor controller, Time Keeper and an App. Capable of grouping multiple fixtures and sensors as well as scheduling time-based events by zone. Radio/Sensor Controller is factory integrated into luminaires.

Click the link below to learn more details about AirLink Blue.

<https://www.lsicorp.com/product/airlink-blue/>