

# LED GREENBRIAR® WALL SCONCE (XGBWM3)



Shown with optional decal striping

## DOE LIGHTING FACTS

Department of Energy has verified representative product test data and results in accordance with its Lighting Facts Program. Visit [www.lightingfacts.com](http://www.lightingfacts.com) for specific catalog strings.

LIGHT OUTPUT - XGBWM3						
		Distribution/Lumens (Nominal)				
Milliamps	# of LEDs	Type FT	Type WT	Type WW	Watts	
Cool White 350 mA	28	2876	2902	3032	34	
	48	4855	4931	5038	55	
	450 mA	28	3522	3542	3720	44
		48	5900	5972	6115	72
Neutral White 450 mA	28	2787	2792	2898	34	
	48	4553	4660	4555	55	
	28	3377	3369	3517	44	
	48	5453	5562	5452	72	

LED Chips are frequently updated therefore values may increase.

US patent 7828456, 8002428 and CAN 2736757 & 2736757 and MX patent 29631 and ISRL 49679 and AUS 2008312668 and US & Int'l. patents pending

## SMARTTEC™ ENERGY SAVING FEATURES:

**THERMAL CONTROL** -LSI drivers feature integral sensor which reduces drive current, when ambient temperatures exceed rated temperature.

**OPTIONAL INTEGRAL MOTION SENSOR** - Passive infrared motion sensor activates switching of luminaire light levels. High level light is activated when passersby enter target zone and increased to full bright in 1-2 seconds. Low light level (30% of maximum drive current) is activated when target zone is absent of motion activity for 5 minutes and is gradually ramped down (10 seconds) to low level. Sensor detection range 110° horizontal x 93° vertical x 10 meters maximum distance.

**EXPECTED LIFE** - Minimum 60,000 hours to 100,000 hours depending upon the ambient temperature of the installation location. See LSI web site for specific guidance.

**LEDS** - Available with 28 or 48 select high-brightness LEDs in Cool White (5000K) or Neutral White (4000K) color temperature, 70 CRI.

**OPTICS/DISTRIBUTIONS** - Ultra-high efficiency reflectors provide three distributions. Choose from Wide Throw (WT), Forward Throw (FT) or Wall Wash (WW).

**HOUSING** - The aerodynamic aluminum housing is a rectangular shape. All mounting hardware is stainless steel or electro-zinc plated steel. Housing and optical unit are sealed with extruded silicone gasket; supply conductors with molded EPDM bushing.

**OPTICAL UNIT** - Clear tempered optical-grade flat glass lens sealed to the aluminum optic housing creates an IP67 rated unit. Pressure stabilizing breather allows super-tight protection while preventing cycling from building up internal pressures and vacuums that can stress optical unit seals.

**WALL MOUNTING** - Galvanized-steel universal wall mounting plate easily mounts directly to 4" octagonal or square junction box. EPDM gasket is supplied to be installed between mounting plate and junction box, sealing junction box from entrance of water. Universal plate permits fixture to be mounted in uplighting (indoor only) or downlighting position.

**POLE MOUNTING** - XPMA (for square) or XPMAR (for round) allows mounting to poles in single and D180 configurations. Use with 3" reduced drilling pattern.

**ELECTRICAL** - Two-stage surge protection (including separate surge protection built into electronic driver) meets IEEE C62.41.2-2002, Location Category C. Available with universal voltage power supply 120-277VAC (50/60Hz input) or 347-480VAC.

**DRIVER** - Available in 350mA and 450mA drive currents (Drive currents are factory programmed). Components are fully encased in potting material for moisture resistance. Driver complies with IEC and FCC standards. Driver can be easily accessed and removed.

**EMERGENCY OPTIONS** - Integral emergency battery-back-up options are available. BB option operates in 0°C to 60°C ambient temperature and CWBB operates in -20°C to 60°C ambient temperature. When primary AC power failure occurs, both options operate 10 LEDs for minimum of 90 minutes.

**OPERATING TEMPERATURE** - -40°C to +50°C (-40°F to +122°F)

**FINISH** - Fixtures are finished with LSI's DuraGrip® polyester powder coat finishing process. The DuraGrip finish withstands extreme weather changes without cracking or peeling.

**DECAL STRIPING** - Optional color-coordinated decals in 9 standard colors to accent the fixture. Decals are guaranteed for five years against peeling, cracking, or fading.

**WARRANTY** - LSI LED fixtures carry a limited 5-year warranty.

**PHOTOMETRICS** - Please visit our web site at [www.lsi-industries.com](http://www.lsi-industries.com) for detailed photometric data

**SHIPPING WEIGHT (in carton)** - 31 lbs./14Kg

**LISTING** - ETL listed to ANSI/UL 1598. UL8750 and other U.S. and international safety standards. Suitable for wet locations in downlight position. For a list of the specific products in this series that are DLC listed, please consult the LED Lighting section of our website or the Design Lights website at [www.designlights.org](http://www.designlights.org).

This product, or selected versions of this product, meet the standards listed below. Please consult factory for your specific requirements.



ARRA  
Funding Compliant

IP67



Project Name \_\_\_\_\_ Fixture Type \_\_\_\_\_  
Catalog # \_\_\_\_\_

08/19/19

© 2019  
LSI INDUSTRIES INC.

# LED GREENBRIAR® WALL SCONCE (XGBWM3)

## LUMINAIRE ORDERING INFORMATION

TYPICAL ORDER EXAMPLE: **XGBWM3 FT LED 48 450 CW UE WHT BB**

Prefix	Distribution	Light Source	# of LEDs	Drive Current	Color Temperature	Input Voltage	Finish	Options
XGBWM3 - LED Greenbriar Wall Sconce	WT - Wide Throw FT - Forward Throw WW - Wall Wash	LED	28 48	350 - 350mA 450 - 450mA	CW - Cool White (5000K) NW - Neutral White (4000K)	UE - Universal Voltage (120-277)  347-480  120 <sup>1</sup>	BLK - Black BRZ - Bronze GPT - Graphite MSV - Metallic Silver PLP - Platinum Plus SVG - Satin Verde Green WHT - White	BB - Battery Back-up <sup>2</sup> CWBB - Cold Weather Battery Back-up <sup>2</sup> IMS - Integral Motion Sensor PCI120 - 120V Button Type Photocell PCI208 - 208V Button Type Photocell PCI240 - 240V Button Type Photocell PCI277 - 277V Button Type Photocell PCI347 - 347V Button Type Photocell XPGA - Pole Mount Adaptor for use with Square Pole (for single or D180 mounting configuration only) <sup>3</sup> XPMAR4 - Pole Mount Adaptor w/fixture backplate for use with 4" O.D. round poles <sup>3</sup> XPMAR5 - Pole Mount Adaptor w/fixture backplate for use with 5" O.D. round poles <sup>3</sup> TP - Tamper Proof <sup>4</sup>  <b>Color Decals</b> 45 - Light Gold Metallic    55 - Black 20 - Charcoal Metallic    50 - White 94 - Blue Metallic        51 - Dark Red 21 - Tomato Red         59 - Dark Green 700 - Aztec Silver Metallic

### NOTES:

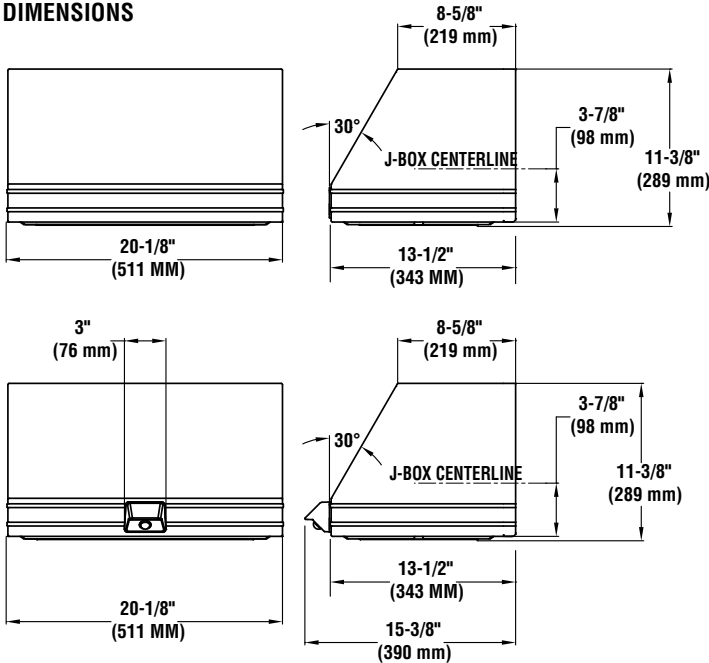
- On 28 LED luminaires, 120 Volt only is DLC qualified. Specify 120 in place of UE.
- Available with UE voltage only
- Designed with 3" reduced drilling pattern. For S or D180 mounting configuration only.
- Tamper-proof Screwdriver must be ordered separately (See Accessory Ordering Information).
- SW BLK not compatible with XPGA or XPMAR option. Available in black only.
- Fusing to be installed in a compatible junction box supplied by contractor.

### ACCESSORY ORDERING INFORMATION

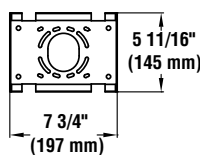
(Accessories are field installed)

Description	Order Number	Description	Order Number
XGBWM3 SW BLK - Surface Wiring Box	173156BLK <sup>5</sup>	DFK208, 240 - Double Fusing	DFK208,240 <sup>6</sup>
SCD - Tamper-proof Screwdriver	477974	DFK480 - Double Fusing	DFK480 <sup>6</sup>
FK120 - Single Fusing	FK120 <sup>6</sup>	FK347 - Single Fusing	FK347 <sup>6</sup>
FK277 - Single Fusing	FK277 <sup>6</sup>		

### DIMENSIONS



Shown with IMS option



Universal Mounting Plate

### BUG LISTING

#### XGBWM - Type FT

Drive Current	Color Temp.*	Lumens	Watts	LER	BUG Rating
350	CW-28	2877	34	85	B1-U0-G1
	CW-48	4856	55	88	B1-U0-G1
	NW-28	2787	34	82	B1-U0-G1
	NW-48	4552	55	83	B1-U0-G1
450	CW-28	3523	44	80	B1-U0-G1
	CW-48	5900	72	82	B2-U0-G1
	NW-28	3377	44	77	B1-U0-G1
	NW-48	5453	72	76	B2-U0-G1

#### XGBWM - Type WT

Drive Current	Color Temp.*	Lumens	Watts	LER	BUG Rating
350	CW-28	2902	34	85	B1-U0-G1
	CW-48	4931	55	90	B2-U0-G1
	NW-28	2792	34	82	B1-U0-G1
	NW-48	4660	55	85	B2-U0-G1
450	CW-28	3542	44	81	B1-U0-G1
	CW-48	5972	72	83	B2-U0-G1
	NW-28	3369	44	77	B1-U0-G1
	NW-48	5563	72	77	B2-U0-G1

#### XGBWM - Type WW

Drive Current	Color Temp.*	Lumens	Watts	LER	BUG Rating
350	CW-28	3033	34	89	B1-U0-G0
	CW-48	5038	56	90	B2-U0-G0
	NW-28	2899	34	85	B1-U0-G0
	NW-48	4555	55	83	B2-U0-G0
450	CW-28	3718	44	85	B2-U0-G0
	CW-48	6115	72	85	B2-U0-G0
	NW-28	3516	44	80	B2-U0-G0
	NW-48	5454	72	76	B2-U0-G1

\* Color Temperature: NW-4000K, CW-5000K



Project Name \_\_\_\_\_ Fixture Type \_\_\_\_\_

Catalog # \_\_\_\_\_

08/19/19

© 2019  
LSI INDUSTRIES INC.