



# Wide Wet Location LED (EGW)

## Enclosed and Gasketed Linear LED Fixture



OVERVIEW	
Lumen Output Range	10,000 - 27,000
CCT (K)	4000K, 5000K
Wattage	70 - 191
Efficacy Range (LPW)	131 -148
Fixture Weight lbs.	2ft - 13 4ft - 24

### QUICK LINKS

[Ordering Guide](#)[Performance](#)[Photometrics](#)[Dimensions](#)

## FEATURES & SPECIFICATIONS

### Construction

- Fiberglass reinforced plastic housing with internal closed-cell polyurethane structure gasketing
- Polymeric housing provides IP65/IP66/IP67 ingress protection and superior chemical resistance
- Inner gear tray constructed of code gauge steel with a finish coating of high reflectance polyester powder (min. 92%)
- High pressure hose down (1500 PSI)
- NEMA 4x rated
- Hinged gear tray for easy driver access

### Optical System

- Injection molded acrylic lens with high impact additive
- Smooth lens is available in diffuse and clear
- Minimum CRI of 80

### Electrical

- High-performance driver features overvoltage, under-voltage, short-circuit and over temperature protection. Custom lumen and wattage packages available.

- Standard Universal Voltage (120-277 VAC) Input 50/60 Hz or optional 347V.
- Total harmonic distortion: <20%
- Operating temperature: -35°C to +45°C (-31°F to +113°F)
- Power factor: >.95
- Driver module is sealed to IP65, IP66, and IP67 standards with a Class A sound rating and 0-10V dimming (10%-100%) standard
- 0-10V dimming (10%-100%) standard
- Standard Universal Voltage (120-277 Vac) Input 50/60 or optional High Voltage (347-480V)
- L70 Calculated Life: >200K hours

### Controls

- Optional side-mount wet location passive infrared occupancy sensor available

### Installation

- 2 standard stainless steel mounting brackets are furnished with each fixture
- Optional stainless steel V bracket or surface bracket accessory available

### Warranty

- LSI luminaires carry a 5-year limited warranty. Refer to <https://www.lsicorp.com/resources/terms-conditions-warranty/> for more information.

### Listings

- Suitable for wet locations
- NEMA 4x rated enclosure
- NSF rated (Splash Zone)
- Listed to UL 1598 and UL 8750.
- Meets Buy American Act requirements.
- Title 24 Compliant; see local ordinance for qualification information.
- DLC qualified product. Not all version of this product may be DLC qualified. Please check the DLC Qualified Products List at [www.designlights.org/QPL](http://www.designlights.org/QPL) to confirm which versions are qualified





# Wide Wet Location LED (EGW)

## ORDERING GUIDE

[Back to Quick Links](#)TYPICAL ORDER EXAMPLE: **ALI2 2LEDHE 24L CA W UNV DIM 40 ALSCS**

Prefix	Fixture Length	Light Source	Lumen Package	Lens Type	Distribution	Voltage	Dimming
EGW - Wide Wet Location LED	2 - 2ft 4 - 4ft	LED	10L - 10,000 Lumens <sup>1</sup> 14L - 14,000 Lumens 17L - 17,000 Lumens 27L - 27,000 Lumens <sup>2</sup> Custom Lumen <sup>3</sup>	DA - Diffuse Acrylic CA - Clear Acrylic	S - Symmetric	UNV - Universal Voltage (120-277V) HV - High Voltage (347-480V)	DIM - Dims to 10% (0-10V dimming)

Color Temperature	Color Rendering	Controls	Options	Mounting/Wiring
40 - 4000K 50 - 5000K	80 - 80 CRI	OCSWL - Wet Location Occupancy Sensor	EM - 1,400 Emergency Backup	Standard - Mounting clips and bails included EGC - 6' black cord, no plug (V hook hangers included) HUB - Use with center mount applications (3/4" NPT HUB in BACK/TOP)

## Accessory Ordering Information

Catalog Number	Description	Order Number
LCH10	10' Loop Cable Hanging Set (Qty 2)	310967
LCH20	20' Loop Cable Hanging Set (Qty 2)	357201

### FOOTNOTES:

- 1 - Available in 2ft only
- 2 - Available in 4ft only
- 3 - Custom lumen and wattages available, consult factory. Values are within industry standard tolerances and not DLC listed.

## PERFORMANCE

DELIVERED LUMENS								
Length	Lumen Package	Distribution	CRI	4000K CCT		5000K CCT		Wattage
				Delivered Lumens	Efficacy	Delivered Lumens	Efficacy	
2'	10L	S	10380	149	10380	149	70	79
	14L		13570	143	13570	143	94	94
	17L		16930	132	16930	132	129	129
4'	14L	S	14130	147	14130	147	96	104
	17L		17590	135	17590	135	130	130
	27L		27480	144	27480	144	191	191

\*LEDs are frequently updated therefore values are nominal \*LEDs are frequently updated therefore values are nominal.



# Wide Wet Location LED (EGW)

[Back to Quick Links](#)

## PHOTOMETRICS

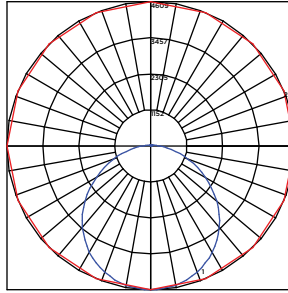
Luminaire photometry has been conducted by an accredited laboratory in accordance with IESNA LM-79. As specified by IESNA LM-79 the entire luminaire is tested as the source resulting in a luminaire efficiency of 100%.

### EGW 2 DA 14L

#### LUMINAIRE DATA

Type 3 Distribution	
Description	4000 Kelvin, 80 CRI
Delivered Lumens	13,569
Watts	95
Efficacy	143

#### POLAR CURVE



#### Zonal Lumen Summary

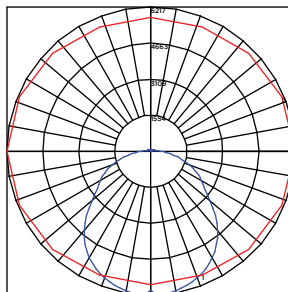
Zone	Lumens	%Luminaire
Low (0-30)°	3599	27%
Medium (30-60)°	6743	50%
High (60-80)°	2523	19%
Very High (80-90)°	417	3%
Uplight (90-180)°	286	2%
Total Flux	13569	100%

### EGW 4 DA 17L

#### LUMINAIRE DATA

Type 3 Distribution	
Description	4000 Kelvin, 80 CRI
Delivered Lumens	17,950
Watts	130
Efficacy	138

#### POLAR CURVE



#### Zonal Lumen Summary

Zone	Lumens	%Luminaire
Low (0-30)°	4736	26%
Medium (30-60)°	8802	49%
High (60-80)°	3244	18%
Very High (80-90)°	586	3%
Uplight (90-180)°	579	3%
Total Flux	17950	100%



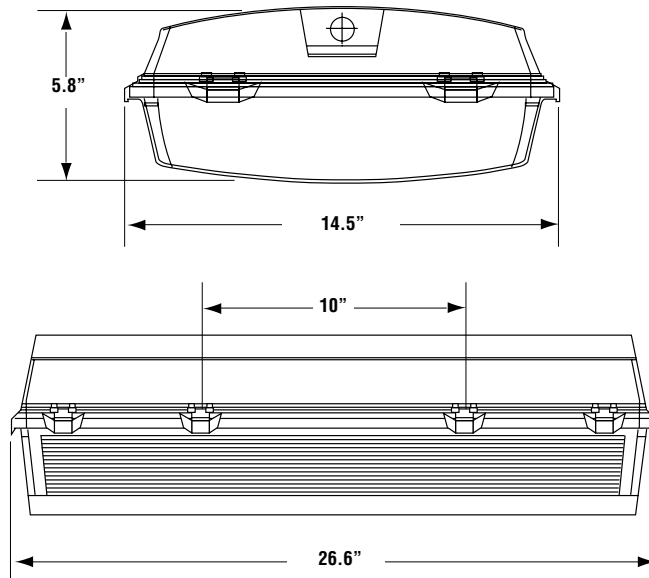


# Wide Wet Location LED (EGW)

## PRODUCT DIMENSIONS

[Back to Quick Links](#)

EGW2



EGW4

