



EG3 Series

Enclosed and Gasketed Linear LED Fixture

**ARRA**
Funding Compliant**IP**
RATED

OVERVIEW

Lumen Output Range	4,400 - 13,000
CCT (K)	3500K, 4000K, 5000K
Wattage Range	31 - 94
Efficacy Range (LPW)	138 - 144
Shipping Weight (lbs)	2ft - 6.0 4ft - 9.5 8ft - 20.0

QUICK LINKS

[Ordering Guide](#)[Performance](#)[Photometrics](#)[Dimensions](#)

FEATURES & SPECIFICATIONS

Construction

- Fiberglass reinforced plastic housing with internal closed-cell polyurethane structure gasketing.
- Polymeric housing provides IP65/66/67 ingress protection and superior chemical resistance.
- Inner gear tray constructed of code gauge steel with a finish coating of high reflectance polyester powder (min 92%).
- All external mounting hardware is constructed of stainless steel.
- High pressure hose down (1500 PSI).
- Lens is secured to housing with standard polycarbonate latches. Optional stainless steel latches are available.
- Car Wash application requires the following options:
 - Stainless steel latches & E6CW cord option with nickel plated brass liquid tight metallic cable fittings rated for IP68 ingress protection & NEMA 1, 4X, 6, 12 ratings.

Optical System

- Injection molded acrylic lens with high impact additive.
- Lens is ribbed and frosted to eliminate glare and provides a symmetric distribution.
- Minimum CRI of 80.
- Optional high angle distribution optic available for DLC qualified parking garage applications
 - Pair the Parking Garage (PG) optic with the smooth diffuse lens (SA) for best results.

Electrical

- High-performance programmable driver features over-voltage, under-voltage, short-circuit and over-temperature protection. Custom lumen and wattage packages available.
- Driver module is sealed to IP65, IP66, and IP67 standards with a Class A sound rating and 0-10 volt dimming is standard.
- 0-10V dimming (10%-100%) standard
- Standard Universal Voltage (120-277 Vac) Input 50/60 or optional High Voltage (347-480V) L80 Calculated Life: >200K hours
- Total Harmonic distortion: <20%
- Operating Temperature -40 to +40C (-40F to +104F)
- Power factor: >.95
- Optional 120-277V 7.5W integral emergency battery pack is available to meet critical life-safety lighting requirements. A test switch/indicator button will be installed on the end panel of the fixture.

Controls

- Optional side-mount wet location passive infrared occupancy sensor available.

Installation

- 2 standard stainless steel mounting brackets are furnished with each fixture.
- Optional stainless steel V bracket or surface bracket accessory available.

Warranty

- For complete warranty terms, refer to <https://www.lsicorp.com/resources/terms-conditions-warranty/>.
- 1 Year warranty on optional Battery Backup. Test regularly in accordance with local codes.
- For warranty in car wash application, options E6CW (6' black 16/3 SEOWW cord and fittings) and SL (stainless steel latches) option must be installed on fixture.
- To maintain warranty, use of UL listed wet location weather proof, waterproof and corrosion resistant junction box with minimum IP65 rating, NEMA 4 or higher and stainless steel cover screws is required (not sold by LSI).

Listings

- List for UL 1598 and UL 8750
- RoHS Compliant
- Luminaire is IP65/IP66/IP67 certified
- NEMA 4X rated
- Suitable for wet locations and vapor tight
- BAA/TAA compliant
- NSF rated (Splash Zone)
- DLC qualified product. Not all versions of this product may be DLC qualified. Please check the DLC Qualified Products List at www.designlights.org/QPL to confirm which versions are qualified.
- IK08 rated luminaire per IEC 66262 mechanical impact code



**ORDERING GUIDE**TYPICAL ORDER EXAMPLE: **EG3 2 LED 4L DA S UNV DIM 40 80**

Family	Length	LED Technology	Lumen Package	Lens Type	Distribution	Voltage	Dimming
EG3	2 - 2 ft	LED	4L - 4,400 Lumens ¹	DA - Diffuse Acrylic	S - Symmetric PG - Parking Garage (High Angle Optic) ^{2,7}	UNV - Universal Voltage (120V-277V) HV - High Voltage (347V-480V)	DIM - Dims to 10% (0-10v dimming)
	4 - 4 ft		6L - 6,600 Lumens ²	CA - Clear Acrylic			
	8 - 8ft		11L - 11,000 Lumens ³	SA - Diffuse Smooth Acrylic			
			13L - 13,000 Lumens ³				
			Custom Lumen ⁴				

Color Temperature	Color Rendering	Controls	EM Options	Mounting/Wiring	Latches
35 - 3500K ⁶ 40 - 4000K 50 - 5000K	80 - 80CRI	OMSWL - Externally Mounted Wet Location Occupancy Sensor ALBC - Airlink Blue Controller	EM - 1,400 Lumen Emergency Backup ⁸	Standard - Stainless steel mounting clips include E6CD - 6' foot black cord 16/5 dimming wire, no plug on side E6CW - 6' black 16/3 SE00W cord and fittings (Car Wash) ⁵	Standard - Nylon Latches SL - Stainless Steel Latches

FOOTNOTES:

1. Only available for 2ft and 4ft units.
2. Only available for 4ft unit.
3. Only available for 8ft unit.
4. Custom lumen and wattages available, consult factory. Values are within industry standard tolerances and not DLC listed.
5. E6CW Car Wash cord and fitting also requires the stainless steel latches option.
6. 3500K not DLC listed.
7. Parking Garage optic only available with smooth acrylic (SA) lens.
8. Not available for 2ft unit.

Accessory Ordering Information

Description	Order Number
10' Cable Hanging Set with Loop (pair)	310967
20' Cable Hanging Set with Loop (pair)	357201
Stainless Steel 45 degree mounting bracket for 4' unit	348901
Stainless Steel 45 degree mounting bracket for 8' unit	348894

[Back to Quick Links](#)**PERFORMANCE**

DELIVERED LUMENS*									
Length	Lumen Package	Distribution	3500K CCT		4000K CCT		5000K CCT		Wattage
			Delivered Lumens	Efficacy	Delivered Lumens	Efficacy	Delivered Lumens	Efficacy	
2'	4L	S	4329	135	4455	142	4624	142	32
4'	4L	S	4384	137	4511	143	4508	143	32
4'	6L	S	6506	136	6695	138	6695	138	48
8'	11L	S	10350	138	10650	143	10650	143	75
8'	13L	S	12692	134	13060	138	13060	138	95
4'	6L	PG	6277	131	6459	136	6453	135	48

*LEDs are frequently updated therefore values are nominal



**PHOTOMETRICS**

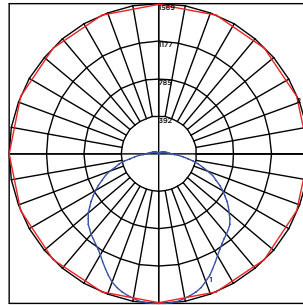
All published luminaire photometric testing performed to IESNA LM-79 standards by NVLAP, certified laboratory. ISO footcandle plots below demonstrate the CBR7 light patterns only. Not for total fixture output. For complete specifications and IES files, see website.

EG3-2-LED-04L-DA-S-50**LUMINAIRE DATA**

Type 3 Distribution	
Description	5000 Kelvin, 80 CRI Ribbed Acrylic Lens
Delivered Lumens	4,623
Watts	32
Efficacy	144

Zonal Lumen Summary

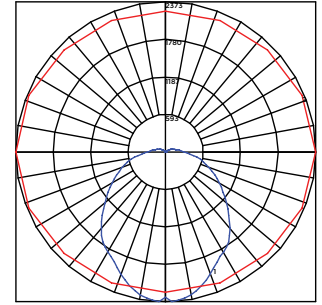
Zone	Lumens	%Luminaire
Low (0-30)°	1200.0	26.0%
Medium (30-60)°	2175.0	47.0%
High (60-80)°	911.0	19.7%
Very High (80-90)°	176.0	3.8%
Uplight (90-180)°	0	0%
Total Flux	4623.0	100%

POLAR CURVE**EG3-4-LED-06L-DA-S-50****LUMINAIRE DATA**

Type 3 Distribution	
Description	5000 Kelvin, 80 CRI Ribbed Acrylic Lens
Delivered Lumens	6,695
Watts	48
Efficacy	139

Zonal Lumen Summary

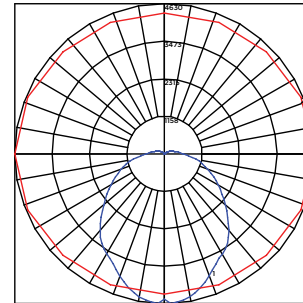
Zone	Lumens	%Luminaire
Low (0-30)°	1731.0	25.9%
Medium (30-60)°	3112.0	46.5%
High (60-80)°	1233.0	18.4%
Very High (80-90)°	291.0	4.3%
Uplight (90-180)°	325.0	4.9%
Total Flux	6695.0	100%

POLAR CURVE**EG3-8-LED-13L-DA-S-50****LUMINAIRE DATA**

Type 3 Distribution	
Description	5000 Kelvin, 80 CRI Ribbed Acrylic Lens
Delivered Lumens	13,060
Watts	95
Efficacy	137

Zonal Lumen Summary

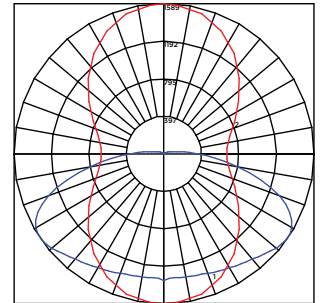
Zone	Lumens	%Luminaire
Low (0-30)°	3376.0	25.8%
Medium (30-60)°	6072.0	46.5%
High (60-80)°	2406.0	18.4%
Very High (80-90)°	569.0	4.4%
Uplight (90-180)°	635.0	4.9%
Total Flux	13060.0	100%

POLAR CURVE**EG3-4-LED-6L-SA-PG-UNV-DIM-35 Parking Garage****LUMINAIRE DATA**

Symmetrical Distribution	
Description	4ft 3500 Kelvin, 80 CRI, Smooth Diffuse Lens
Delivered Lumens	6,277
Watts	47.8
Efficacy	131

Zonal Lumen Summary

Zone	Lumens	%Luminaire
Low (0-30)°	1,109	18%
Medium (30-60)°	2,734	44%
High (60-80)°	1,736	28%
Very High (80-90)°	434	7%
Uplight (90-180)°	262	4%
Total Flux	6,277	100%

POLAR CURVE

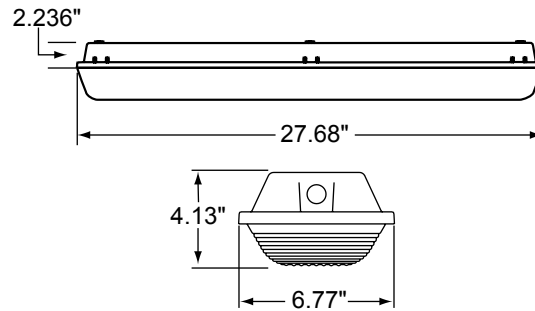


EG3 Series

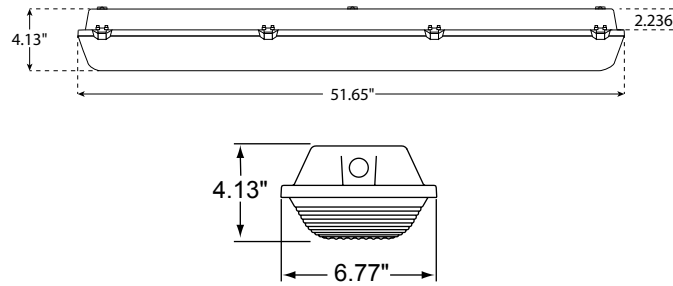
[Back to Quick Links](#)

PRODUCT DIMENSIONS

2 FT.



4 FT.



8 FT.

