



Aureus LED High Bay

AUL



OVERVIEW	
Lumen Package	8,000 - 30,000
Wattage Range	49 - 195
CCT	3000K, 3500K, 4000K, 5000K
Efficacy Range (LPW)	155 - 162
Weight lbs (kg) - AUL	8 (3.6)

QUICK LINKS

[Ordering Guide](#)[Performance](#)[Photometrics](#)[Dimensions](#)

FEATURES & SPECIFICATIONS

Construction

- Rigid housing is die-formed thick gauge steel and aluminum
- All metal parts are painted after fabrication following treatment with phosphate rust inhibitor. Finish coating of housing reflecting surfaces is with high-reflectance (minimum 92%) polyester powder.
- Available in white, black or silver. For other colors please consult factory
- Quick wire access panel allows for easy power connections
- Manufactured in the USA

Optical System

- Available standard with 16" prismatic clear, diffuse, or white acrylic refractor and open, flat glass, conical lens or wire guard attachments
- Optional to substitute refractor with 22" available in prismatic clear, diffuse, or white acrylic refractor with open bottom
- Minimum CRI of 80.

Electrical

- Standard Universal Voltage (120-277 VAC) Input 50/60Hz or optional High Voltage (347-480 VAC)
- L70 Calculated Life: 100,000+ hours

- Driver is constant current, Class 2, 120-277 Vac, 50/60Hz
- High Efficiency Driver: minimum 85%
- 0-10V dimming (1%-100%) standard driver
- Optional 120V-277V integral emergency battery pack is available to meet critical life safety lighting requirements. The 90-minute batteries provide constant power to the LED system, ensuring code compliance. A test switch/indicator button is installed on the housing for ease of maintenance.
- Emergency Backup Drive is available with 10W or 20W output
- Operating temperature -20C up to +55C (-4F up to +131F) see ambient temperature table for details
- Field replaceable 10kV surge protection device meets a minimum Category C Low operation (per ANSI/IEEE C62.41.2).

Controls

- Optional center mount passive infrared sensor with bluetooth app available
- LSI's AirLink™ Synapse wireless control system options reduce energy and maintenance costs. To order select ALSC or ALSCS (see ordering guide) as the controls option.

Installation

- Standard method to mount directly to a 4" square or octagonal junction box or available for pendant mount with 3/4" pipe fitting
- Optional hook for chain or cable mount available

Warranty

- LSI luminaires carry a 5-year limited warranty. Refer to <https://www.lsicorp.com/resources/terms-conditions-warranty/> for more information.

Listings

- Listed to UL 1598 and UL 8750.
- Meets Buy American Act requirements.
- Title 24 Compliant; see local ordinance for qualification information.
- Suitable for damp locations
- DLC qualified product. Not all versions of this product may be DLC qualified. Please check the DLC Qualified Products List at www.designlights.org/QPL to confirm which versions are qualified.





Aureus LED High Bay

ORDERING GUIDE

[Back to Quick Links](#)TYPICAL ORDER EXAMPLE: **AUL 12L S 840 UNV GWT R16AC**

Family	Lumen Package	Distribution	CRI/Color Temperature	Voltage	Finish	Refractor
AUL - Aureus LED High Bay	8L - 8,000 Lumens 12L - 12,000 Lumens 18L - 18,000 Lumens 24L - 24,000 Lumens 30L - 30,000 Lumens Custom Lumen ¹	S - Symmetrical	830 - 80CRI/3000K 835 - 80CRI/3500K 840 - 80CRI/4000K 850 - 80CRI/5000K	UNV - Universal Voltage (120V-277V) HV - High Voltage (347V-480V)	GWT - Gloss White GBK - Gloss Black MSV - Metallic Silver Custom Colors ³	R16AC - 16" Acrylic Clear R16AD - 16" Acrylic Diffuse R16AW - 16" Acrylic White R22AC - 22" Acrylic Clear R22AD - 22" Acrylic Diffuse R22AW - 22" Acrylic White

EM Options	Controls Options	Options
EM10 - Emergency Backup 10W EM20 - Emergency Backup 20W	IMSBT1W - Integral Bluetooth™ PIR motion and photo sensor up to 8ft mounting height IMSBT2W - Integral Bluetooth™ PIR motion and photo sensor up to 20ft mounting height ALSC - AirLink Synapse Control ALSCS02 - AirLink Synapse Control System with 12-20' Motion Sensor	Standard - Surface Mount with primary leads extended 36" HC - Hook HCP120 - Hook, 3' cord & 120V Twistlock Plug HCP208 - Hook, 3' cord & 208V Twistlock Plug HCP240 - Hook, 3' cord & 240V Twistlock Plug HCP277 - Hook, 3' cord & 277V Twistlock Plug HCP480 - Hook, 3' cord & 480V Twistlock Plug EXTD36 - Dimming leads extended 36" ⁴ EXTD72 - Dimming leads extended 72" ⁴ C3D - 3' cord with dimming; no plug ⁴ C3N - 3' cord non-dimming; no plug C3DEM - 3' cord with dimming and switch leg for battery ⁴ C3NED - 3' cord non-dimming and switch leg for battery

Accessory Ordering Information



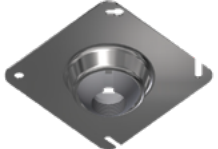
Catalog Number	Description	Order Number
R16CPA	16" Acrylic Conical Drop Lens	719940
R16FGC	16" Flat Glass Lens	709939
R16WG	16" Wire guard	709942
SCK	Safety Chain Kit	101170

FOOTNOTES:

- 1 - Not Compatible with 22" Refractors
- 2 - Cords are 16/3
- 3 - For Custom Color contact factory with RAL Number
- 4 - Not compatible with controls options
- 5 - Only valid with EXTD72 option

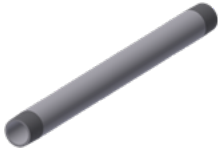

Pendant Accessories (Field Installed)

TYPICAL ORDER EXAMPLE: **BC600 3 BLK**

Description	Order Number	Image
3/4"(19mm) Top Decorative Box Cover Aligner	BC600 3	
3/4"(19mm) Top Round Box Cover Aligner	BC585	
3/4"(19mm) Top Square Box Cover Aligner	BC585SQ	

Stem and Hook Accessories (Field Installed)

TYPICAL ORDER EXAMPLE: **ST6 3 BLK**

Description	Order Number	Image
3/4" x 6" (19mmx152mm) Aluminum Stem	ST 6 3	
3/4" x 12" (19mmx.4m) Aluminum Stem	ST 12 3	
3/4" x 18" (19mmx.5m) Aluminum Stem	ST 18 3	
3/4" x 24" (19mmx.6m) Aluminum Stem	ST 24 3	
3/4" x 36" (19mmx.9m) Aluminum Stem ⁵	ST 36 3	
3/4" x 48" (19mmx 1.2m) Aluminum Stem ⁵	ST 48 3	
3/4" x 60" (19mmx 1.5m) Aluminum Stem ⁵ (Must order PL - Pendant Mount, 7ft Cord)	ST 60 3	
Hook Mount	HC	

* Standard canopy finishes available in white (WHT) and black (BLK); other custom finishes available may require longer lead-times.



Aureus LED High Bay

[Back to Quick Links](#)

PERFORMANCE

DELIVERED LUMENS*												
Lumen Package	Distribution	Refractor Type	CRI	3000K CCT		3500K CCT		4000K CCT		5000K CCT		Wattage
				Delivered Lumens	Efficacy	Delivered Lumens	Efficacy	Delivered Lumens	Efficacy	Delivered Lumens	Efficacy	
8L	S	R16AC	80	7461	162	7461	162	7963	163	7915	162	49
12L	S	R16AC	80	11246	160	11246	160	12002	160	11930	159	75
18L	S	R16AC	80	16784	162	16784	162	17913	161	17806	160	111
24L	S	R16AC	80	22612	159	22612	159	24132	160	23987	159	151
30L	S	R16AC	80	28406	155	28406	155	30316	155	30134	155	195
8L	S	R22AC	80	7466	152	7466	152	7968	155	7920	162	49
12L	S	R22AC	80	11253	150	11253	150	12009	155	11937	159	75
18L	S	R22AC	80	16795	153	16795	153	17924	155	17816	161	111
24L	S	R22AC	80	22624	150	22624	150	24145	161	24000	159	151
30L	S	R22AC	80	28426	155	28426	155	30337	156	30155	155	195

*LEDs are frequently updated therefore values are nominal

ELECTRICAL DATA*							
Lumen Level	Watts	120V	208V	240V	277V	347V	480V
8L	49	0.41	0.24	0.2	0.18	0.14	0.1
12L	75	0.63	0.36	0.31	0.27	0.22	0.16
18L	111	0.93	0.53	0.46	0.4	0.32	0.23
24L	151	1.26	0.73	0.63	0.55	0.44	0.31
30L	195	1.63	0.94	0.81	0.7	0.56	0.41

*Electrical data at 25C (77F). Actual wattage may differ by +/-10%.

RECOMMENDED LUMEN MAINTENANCE ¹ (8L-30L)					
Ambient Temp C	Initial ²	25K hr ²	50K hr ²	75K hr ³	100K hr ³
0-25 C	102%	97%	92%	88%	84%
40 C	101%	95%	90%	85%	80%

AUL AMBIENT RATING (All Refractor Options)	
Lumen Package	Ambient Temperature (°C)
8L	55C
12L	50C
18L	50C
24L	45C
30L	40C

FOOTNOTES:

- Lumen maintenance values at 25C are calculated per TM-21 based on LM-80 and in-situ testing.
- In accordance with IESNA TM-21-11, projected values represent interpolated value based on time durations that are within six times the IESNA LM-80-08 total test duration for the device under testing.
- In accordance with IESNA TM-21-11, calculated values represent time durations that exceed six times the IESNA LM-80-08 total test duration for the device under testing.





Aureus LED High Bay

[Back to Quick Links](#)

PHOTOMETRICS

Luminaire photometry has been conducted by a NVLAP accredited testing laboratory in accordance with IESNA LM-79-08. As specified by IESNA LM-79-08 the entire luminaire is tested as the source resulting in a luminaire efficiency of 100%.

AUL-24L-S-850-UNV-GWT-R16AC

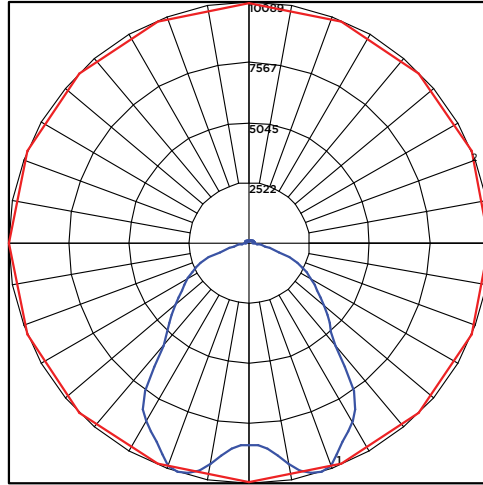
LUMINAIRE DATA

Symmetrical Distribution	
Description	5000 Kelvin, 80 CRI, 16" Clear Refractor
Delivered Lumens	23,986
Watts	151
Efficacy	159

Zonal Lumen Summary

Zone	Lumens	%Luminaire
Low (0-30)°	7,941	33%
Medium (30-60)°	11,468	48%
High (60-80)°	3,460	14%
Very High (80-90)°	281	1%
Uplight (90-180)°	835	3%
Total Flux	23,986	100%

POLAR CURVE



AUL-24L-S-850-UNV-GWT-R22AC

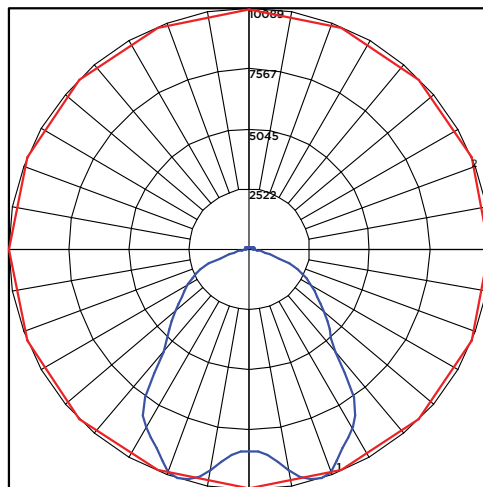
LUMINAIRE DATA

Symmetrical Distribution	
Description	5000 Kelvin, 80 CRI, 22" Clear Refractor
Delivered Lumens	23,843
Watts	150
Efficacy	159

Zonal Lumen Summary

Zone	Lumens	%Luminaire
Low (0-30)°	7,605	32%
Medium (30-60)°	12,467	52%
High (60-80)°	2,660	11%
Very High (80-90)°	208	1%
Uplight (90-180)°	900	4%
Total Flux	23,843	100%

POLAR CURVE





Type: _____

Aureus LED High Bay

[Back to Quick Links](#)

PRODUCT DIMENSIONS

