

\_\_\_\_\_ Project name  
 \_\_\_\_\_ Prepared by  
 / / Date



## AirLink™ 3 Button Wireless Switch

enabled by Lutron®



Catalog #: **ALWS 3XXX**  
 Part #: **(see ordering guide)**

The wireless switch (3-button) is a flexible and easy to use device that allows the user to control wireless load-control devices from anywhere in the space. This battery-operated control requires no external power or communication wiring. The switch utilizes Lutron Clear Connect RF technology for wireless communication.

### Applications



Small offices



Conference rooms



Classrooms



Lounges

### Features

All wireless controls are also compatible with the wireless hub which provides a simple setup process using a standard web browser on any Wi-Fi enabled phone, tablet or computer. The hub enables control and monitoring of all wireless devices. The hub can be added at any time. System reprogramming required.

- Control available in a variety of button marking options
- Easy reconfiguration for use as:
  - Handheld remote
  - Wall-mount control (with or without faceplate; faceplate adapter kit sold separately)
  - A table top control (table top pedestal sold separately)
- Battery-powered. Requires no wiring
- 10 year battery life (one CR2032 battery included)
- Can provide control of blinds, curtains, or lighting devices within a range of 30ft (9m) through walls and 60ft (18m) line-of-sight

### Specifications

#### Regulatory Approvals

- Lutron Quality Systems registered to ISO 9001:2008.
- FCC Certified (U.S.A.)
- IC Certified (Canada)
- COFETEL Certified (Mexico)
- SUTEL Certified (Costa Rica)
- Anatel Certified (Brazil)

#### System Communication & Capacity

- Communicates using Radio Frequency (RF) at 431MHz to 437MHz.
- Thousands of system addresses prevent interference between systems.
- Can be assigned to control blinds, curtains or lighting devices that are within a 30ft (9m) range through walls and 60ft (18m) line-of-sight

### Certifications & Affiliations





# AirLink™ 3 Button Wireless Switch

enabled by Lutron®

## Specifications Continued

### Power and Performance

- Operating voltage: 3V  $\text{---}$
- Requires one CR 2032 lithium battery

### Environmental

- Ambient operating temp: 32°F to 140°F (0°C to 60°C)
- Relative humidity: maximum 90% non-condensing; indoor use only

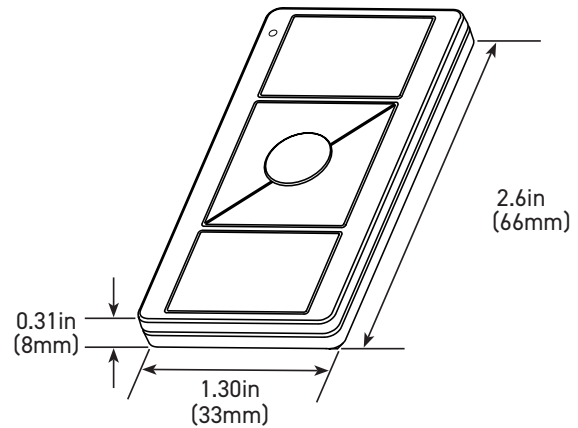
### Mounting Considerations

- Mounting of any RF devices on or in close proximity to a metal surface will drastically reduce the effective range of radio signal transmission or reception
- All RF devices must be mounted on nonconductive materials to ensure proper performance

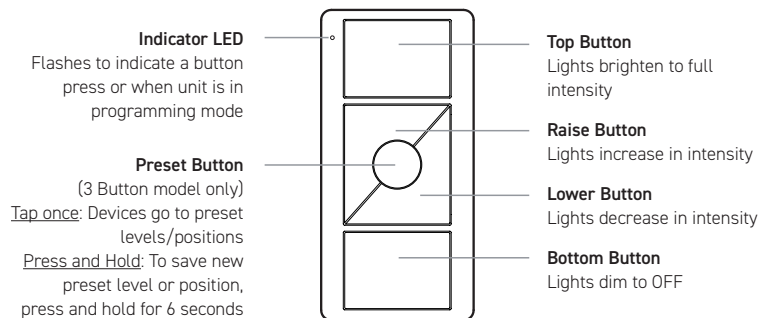
### Warranty

- 1-year Limited Warranty

## Dimensions



## Operation



## Ordering Information

All switches and wall kits available in White (WHT/WH), Ivory (IV), and Light Almond (LA) Example: 624105WHT or ALWS 3B WH

Part #	Catalog #	Description	
624105WHT	ALWS 3B WH	AirLink System – Wireless Switch 3 Button in White	
624105IV	ALWS 3B IV	AirLink System – Wireless Switch 3 Button in Ivory	
624105LA	ALWS 3B LA	AirLink System – Wireless Switch 3 Button in Light Almond	
624103WHT	ALWS 3B WH KIT	AirLink System – Wireless Switch 3 Button Wall Kit in White	Included in Wall Kit:
624103IV	ALWS 3B IV KIT	AirLink System – Wireless Switch 3 Button Wall Kit in Ivory	• Wireless Switch
624103LA	ALWS 3B LA KIT	AirLink System – Wireless Switch 3 Button Wall Kit in Light Almond	• Wallplate Adapter
			• Wallbox Adapter

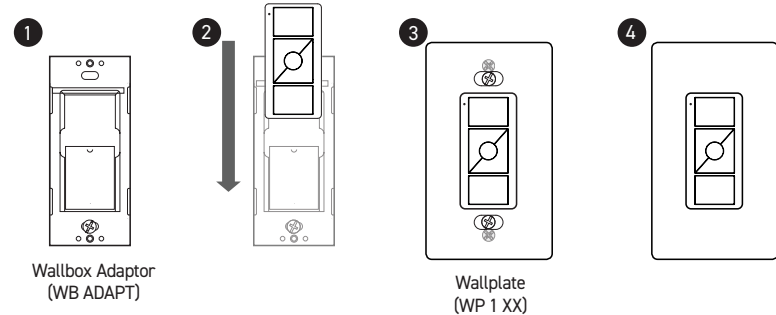


## Accessories

### Wall Mounting

To mount the 2 Button wireless switch on a wall, a wallbox adaptor and wallplate are required. Wallplates are available from 1 to 4 gang. The 2 Button wireless switch can be ordered in a wall kit, which includes the switch, wallplate adapter and the wallbox adapter (see ordering guide on previous page).

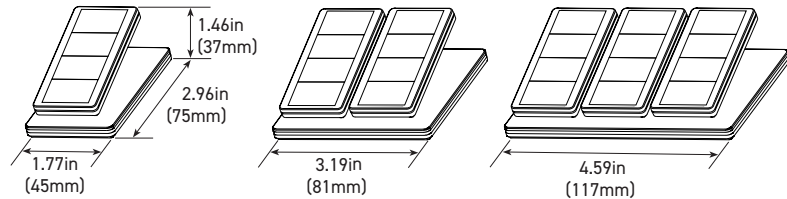
### Wall Mounting Diagram



### Tabletop Pedestal

The wireless switch can also be attached to a pedestal for handheld or tabletop control. They can be purchased in 1, 2, or 3 gang. All pedestals come in white with a glossy finish. Note that the pedestals are sold separately from the wireless switches and other accessories. See drawings (to the right) for 1–3 gang pedestal dimensions. Pedestals (with attached wireless switches) can control lighting devices that are within a 30ft (9m) range.

### Tabletop Pedestal Dimensions



## Accessory Ordering Information

### Wallplates & Wallbox Adaptor

Part #	Catalog #	Description
624123	WB ADAPT	Wallbox Adaptor
624124WHT	WP 1 WH	Wallplate 1 Gang in White
624124IV	WP 1 IV	Wallplate 1 Gang in Ivory
624124LA	WP 1 LA	Wallplate 1 Gang in Light Almond
624125WHT	WP 2 WH	Wallplate 2 Gang in White
624125IV	WP 2 IV	Wallplate 2 Gang in Ivory
624125LA	WP 2 LA	Wallplate 2 Gang in Light Almond
624127WHT	WP 3 WH	Wallplate 3 Gang in White
624127IV	WP 3 IV	Wallplate 3 Gang in Ivory
624127LA	WP 3 LA	Wallplate 3 Gang in Light Almond
624128WHT	WP 4 WH	Wallplate 4 Gang in White
624128IV	WP 4 IV	Wallplate 4 Gang in Ivory
624128LA	WP 4 LA	Wallplate 4 Gang in Light Almond

### Tabletop Pedestal

Part #	Catalog #	Description
624110	P 1 WH	Pedestal 1 Gang in White
624111	P 2 WH	Pedestal 2 Gang in White
624113	P 3 WH	Pedestal 3 Gang in White



**AirLink™**  
enabled by Lutron®

## 3 Button Wireless Switch

### The AirLink System

#### Wireless controls & sensors



Wireless remotes & switches



Occupancy/Vacancy & Daylight sensors



AirLink-integrated Fixtures

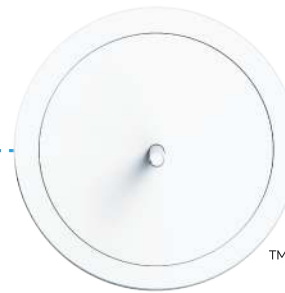


AirLink-compatible Fixtures



Plug load controllers

#### Centralized control & integration



Wireless hub

Wired / Ethernet



Demand Response



BACnet integration

#### Simple-to-use software



Lighting control web app

### Contact LSI Controls



**Sales**  
controls.sales@lsi-industries.com



**Support**  
controls.support@lsi-industries.com  
1 (800) 436-7800 (support, option 8)



**More information**  
For more information on AirLink, visit our website at [www.lsi-airlink.com/airlink](http://www.lsi-airlink.com/airlink)