



# Alliance (ALI)

## LED Linear High Bay



OVERVIEW	
Lumen Package	12,000 - 100,000
Wattage Range	70 - 768
Efficacy Range (LPW)	124 - 166
Weight lbs (kg) - ALI2	11 - 20 (5 - 9)
Weight lbs (kg) - ALI4	18 - 30 (8 - 14)

### QUICK LINKS

[Ordering Guide](#)
[Performance](#)
[Photometrics](#)
[Dimensions](#)

## FEATURES & SPECIFICATIONS

### Construction

- Constructed of 22 gauge die formed steel with a post-paint polyester coat finish and rigid extruded aluminum heat sinks.
- Access panel provides hinged access to wiring and driver connections
- All metal parts are painted after fabrication following treatment with phosphate rust inhibitor. Finish coating of housing reflecting surfaces is with high reflectance white (minimum 92%) polyester powder

### Optical System

- Choice of 2 high performance distributions; Wide (W) Available with Less Lens (LL), Clear Acrylic (CA) and Diffuse Acrylic (DA) lens option, or Narrow / Aisle (N). Narrow / Aisle distribution is available with Less lens (LL) only.
- Optional high transmission impact resistant lenses available in Clear Acrylic (CA) and Diffuse Acrylic (DA)
- Less Lens (LL) option available for high efficiency applications.
- Available in 4000K, 5000K color temperatures.
- Minimum CRI of 80.
- Available indirect light output configuration.

### Electrical

- High-performance programmable driver features overvoltage, under voltage, short-circuit and over temperature protection. Custom lumen and wattage packages available.
- 0-10 volt dimming (5% - 100%) standard.

- L80 Calculated Life: >100k Hours (See Lumen Maintenance on Page 4)
- Total harmonic distortion: <20%
- Operating temperature: -40C to +60C (-40F to +140F)
  - » Actual ambient may vary by unit, please refer to ambient ratings table for specifics
  - » Ambient temperature rating is 30C (86C) when equipped with EM option.
- Optional 120v-277v integral emergency battery pack is available. The 90-minute batteries provide constant power to the LED system, ensuring code compliance. A test switch/indicator button is installed on the housing for ease of maintenance.
- Field replaceable surge protection device meets a minimum Category C Low operation (per ANSI/IEEE C62.41.2).
- Power factor: >.95
- Standard surge protection rated to 10kV

### Controls

#### Wireless Controls System

To make this fixture AirLink ready, simply order the integrated Wireless Lighting Controller: ALSC or ALSCS (see ordering guide) as the controls option

#### Stand-Alone Controls

- External and Passive Infrared Bluetooth Motion/Photocell Sensor (OMSBTxW, IMSBTxW)
  - Switches luminaire light levels based on motion and daylight (see the controls section for more details)

- Fixtures operate independently and can be commissioned via iOS or Android configuration app

### Installation

- Mounting options include; Hook Cable Hangers (HCH10), Pendant Mount (PM), Single Hub/Cable Mount (SHC), and Surface Mount (SMK).

### Warranty

- Complete warranty terms located at: <https://www.lsi-industries.com/resources/terms-and-warranty.aspx>
- 1 Year warranty on optional Battery Back Up. Test regularly in accordance with local codes

### Listings

- Listed to UL 1598 and UL 8750
- American Recovery and Reinvestment Act Funding Compliant
- RoHS Compliant
- State of California Title 24 compliant
- Suitable For Damp Locations
- Meets Buy American Act Requirements
- Wireless Bluetooth compliant options
- DLC® qualified product. Not all versions of this product may be DLC qualified. Please check the DLC Qualified Products List at [www.designlights.org/QPL](http://www.designlights.org/QPL) to confirm which versions are qualified.
- IK08 rated luminaire per IEC 66262 mechanical impact code





# Alliance LED Linear High Bay

## ORDERING GUIDE

[Back to Quick Links](#)TYPICAL ORDER EXAMPLE: **ALI2 2LEDHE 24L CA W UNV 40 ALSCS**

Family	LED Technology	Lumen Package*	Lens Type	Distribution	Voltage	Dimming	Color Temperature	Color Rendering
ALI2	2LEDHE - High Efficiency	12L - 12,000 Lumens 15L - 15,000 Lumens 18L - 18,000 Lumens 24L - 24,000 Lumens 30L - 30,000 Lumens 36L - 36,000 Lumens 48L - 48,000 Lumens 60L - 60,000 Lumens <sup>5</sup> Custom Lumens <sup>12</sup>	CA - Clear Acrylic DA - Diffuse Acrylic LL - Less Lens	W - Wide	UNV - 120-277V  HV - 347-480V	Standard - 0-10V to 5%	40 - 4000K 50 - 5000K	Standard - 80 CRI
ALI4	2LEDSE - Standard Efficiency	12L - 12,000 Lumens 15L - 15,000 Lumens 18L - 18,000 Lumens 24L - 24,000 Lumens 30L - 30,000 Lumens 36L - 36,000 Lumens 48L - 48,000 Lumens 60L - 60,000 Lumens 80L - 80,000 Lumens <sup>5</sup> 100L - 100,000 Lumens <sup>5, 6, 10</sup> Custom Lumens <sup>12</sup>		N - Focus/Aisle <sup>6, 10, 13</sup>				

Controls	EM Options	Options
<b>Blank</b> - No Controls <b>ALSC</b> - Airlink Synapse Control <b>ALSCS02</b> - AirLink Synapse Control System with 12-20' Motion Sensor <sup>10</sup> <b>ALSCS04</b> - AirLink Synapse Control System with 20-40' Motion Sensor <sup>10</sup> <b>OMS1</b> - External PIR motion sensor up to 20ft mounting height <b>OMS2</b> - External PIR motion sensor up to 40ft mounting height <b>OMSBT1W</b> - External Bluetooth™ PIR motion and photo sensor up to 8ft mounting height <sup>8,10</sup> <b>OMSBT2W</b> - External Bluetooth™ PIR motion and photo sensor up to 20ft mounting height <sup>8,10</sup> <b>OMSBT3W</b> - External Bluetooth™ PIR motion and photo sensor up to 40ft <sup>8,10</sup> <b>IMSBT1W</b> - Integral Bluetooth™ PIR motion and photo sensor up to 8ft mounting height <sup>8,10</sup> <b>IMSBT2W</b> - Integral Bluetooth™ PIR motion and photo sensor up to 20ft mounting height <sup>8,10</sup> <b>IMSBT3W</b> - Integral Bluetooth™ PIR motion and photo sensor up to 40ft <sup>8,10</sup>	<b>Standard</b> - No Battery <b>EM</b> - Emergency Backup 10W <sup>4, 7, 11</sup> <b>EM20</b> - Emergency Backup 20W <sup>4, 7, 10</sup>	<b>EXT</b> - Extended Leads <sup>1</sup> <b>CLDS</b> - Center Leads <sup>1,2, 10</sup> <b>E6CN</b> - 6ft cord 16/3 non-dimming; no plug installed at END <b>E6CD</b> - 6ft cord 16/5 dimming; no plug installed at END <b>E10CN</b> - 10ft cord 16/3 non-dimming; no plug installed at END <b>E10CD</b> - 10ft cord 16/5 dimming; no plug installed at END <b>C6CN</b> - 6ft cord 16/3 non-dimming; no plug installed at CENTER <sup>10</sup> <b>C6CD</b> - 6ft cord 16/5 dimming; no plug installed at CENTER <sup>10</sup> <b>C10CN</b> - 10ft cord 16/3 non-dimming; no plug installed at CENTER <sup>10</sup> <b>C10CD</b> - 10ft cord 16/5 dimming; no plug installed at CENTER <sup>10</sup> <b>515P</b> - 5-15P Plug only (120V) <b>L515P</b> - 5-15P Twistlock Plug (125V) <sup>3</sup> <b>L615P</b> - 6-15P Twistlock Plug (250V) <sup>3</sup> <b>L715P</b> - 7-15P Twistlock Plug (277V) <sup>3</sup> <b>L820P</b> - 8-20P Twistlock Plug (480V) <sup>3</sup> <b>L2420P</b> - 24-20P Twistlock Plug only 347V <sup>3</sup> <b>ID</b> - Indirect Light (100% light up)

## Accessory Ordering Information

Catalog Number	Description	Order Number
ALI PMK	Pendant Mount J-Box Kit	726672
KIT SHC	Single Hub/Chain Mount	572488
HCH10	10ft Hook Cable Assembly 2pk	460149
TCH10	10ft Toggle Cable Assembly 2pk	431373
SMK	Surface Mount Kit	726673
WG22	Wire guard 2ft 2-row	725425
WG24	Wire guard 2ft 4-row	725427
WG26	Wire guard 2ft 6-row	725428
WG42	Wire guard 2ft 2-row	725429
WG44	Wire guard 4ft 4-row	725430

## FOOTNOTES:

- 1 - EXT and CLDS leads are standard 16/5 dimming
- 2 - Center leads option requires pendant mount "PM" option
- 3 - Standard with 6' cord unless specified with cord/no plug option
- 4 - The following lumen packages are available with externally mounted EM: ALI2 36L HE, 48L HE, 60L SE and ALI4 80L SE and 100L SE.
- 5 - Not Available with 2LEDHE.
- 6 - Available only in LL.
- 7 - Not available with HV.
- 8 - IMSBTxW and OMSBTxW are field configurable; refer to IMSBTW spec sheet for guidance.
- 9 - PM option provides wiring box with 3/4" threaded hub for connections. Stems must be ordered separately.
- 10 - Not available with ID (Indirect Light) Option
- 11 - Not available with 80L in ID (Indirect Light) Option
- 12 - Custom lumen packages available, please consult factory. Values are within industry standard tolerances and not DLC listed.
- 13 - Not available for 100L





# Alliance LED Linear High Bay

## PERFORMANCE

[Back to Quick Links](#)

DELIVERED LUMENS (ALI2)*								
Lumen Package	LED Gen	Distribution	CRI	4000K CCT		5000K CCT		Wattage
				Delivered Lumens	Efficacy	Delivered Lumens	Efficacy	
12L	2LEDSE	LL	80	12017	153	12017	153	79
		CA		11363	144	11363	144	
		DA		10387	132	10387	132	
		N		11474	146	11474	146	
	2LEDHE	LL	80	12056	162	12056	162	74
		CA		11400	153	11400	153	
		DA		10421	140	10421	140	
		N		11542	155	11542	155	
15L	2LEDSE	LL	80	15106	146	15106	146	104
		CA		14284	138	14284	138	
		DA		13057	126	13057	126	
		N		14423	139	14423	139	
	2LEDHE	LL	80	15089	159	15089	159	95
		CA		14268	150	14268	150	
		DA		13042	137	13042	137	
		N		14446	152	14446	152	
18L	2LEDSE	LL	80	18097	152	18097	152	119
		CA		17112	144	17112	144	
		DA		15642	132	15642	132	
		N		17279	145	17279	145	
	2LEDHE	LL	80	18029	166	18029	166	109
		CA		17048	157	17048	157	
		DA		15584	143	15584	143	
		N		17261	159	17261	159	
24L	2LEDSE	LL	80	23934	144	23934	144	166
		CA		22631	136	22631	136	
		DA		20688	124	20688	124	
		N		22852	137	22852	137	
	2LEDHE	LL	80	24096	164	24096	164	147
		CA		22785	155	22785	155	
		DA		20828	142	20828	142	
		N		23069	157	23069	157	
30L	2LEDSE	LL	80	29913	146	29913	146	204
		CA		28285	138	28285	138	
		DA		25856	127	25856	127	
		N		28561	140	27408	134	
	2LEDHE	LL	80	29942	160	29942	160	187
		CA		28312	152	28312	152	
		DA		25881	139	25881	139	
		N		28666	154	28666	154	



**Alliance LED Linear High Bay****PERFORMANCE (CONT.)**

<b>DELIVERED LUMENS (AL12)*</b>								
Lumen Package	LED Gen	Distribution	CRI	4000K CCT		5000K CCT		Wattage
				Delivered Lumens	Efficacy	Delivered Lumens	Efficacy	
36L	2LEDSE	LL	80	35977	152	35977	152	237
		CA		34019	144	34019	144	
		DA		31097	131	31097	131	
		N		34351	145	34351	145	
	2LEDHE	LL	80	35960	156	35960	156	230
		CA		34003	148	34003	148	
		DA		31082	135	31082	135	
		N		34427	150	34427	150	
48L	2LEDSE	LL	80	47933	143	47933	143	336
		CA		45324	135	45324	135	
		DA		41431	123	41431	123	
		N		45766	136	45766	136	
	2LEDHE	LL	80	48026	154	48026	154	312
		CA		45412	146	45412	146	
		DA		41512	133	41512	133	
		N		45979	147	45979	147	
60L	2LEDSE	LL	80	60028	149	60028	149	404
		CA		56761	141	56761	141	
		DA		51886	128	51886	128	
		N		57314	142	57314	142	

<b>DELIVERED LUMENS (AL14)*</b>								
Lumen Package	LED Gen	Distribution	CRI	4000K CCT		5000K CCT		Wattage
				Delivered Lumens	Efficacy	Delivered Lumens	Efficacy	
12L	2LEDSE	LL	80	12064	170	12064	170	71
		CA		11562	163	11562	163	
		DA		10641	150	10641	150	
		N		11331	160	11331	160	
	2LEDHE	LL	80	12047	171	12047	171	70
		CA		11546	164	11546	164	
		DA		10626	151	10626	151	
		N		11432	163	11432	163	
15L	2LEDSE	LL	80	15002	163	15002	163	92
		CA		14378	156	14378	156	
		DA		13232	144	13232	144	
		N		14090	153	14090	153	
	2LEDHE	LL	80	15090	172	15090	172	88
		CA		14462	165	14462	165	
		DA		13310	151	13310	151	
		N		14319	163	14319	163	



**Alliance LED Linear High Bay****PERFORMANCE**

<b>DELIVERED LUMENS (ALI4)*</b>								
Lumen Package	LED Gen	Distribution	CRI	4000K CCT		5000K CCT		Wattage
				Delivered Lumens	Efficacy	Delivered Lumens	Efficacy	
18L	2LEDSE	LL	80	18060	153	18060	153	118
		CA		17308	147	17308	147	
		DA		15930	135	15930	135	
		N		16962	144	16962	144	
	2LEDHE	LL	80	18045	160	18045	160	113
		CA		17294	153	17294	153	
		DA		15917	141	15917	141	
		N		17123	152	17123	152	
24L	2LEDSE	LL	80	24008	149	24008	149	161
		CA		23009	143	23009	143	
		DA		21176	132	21176	132	
		N		22549	140	22549	140	
	2LEDHE	LL	80	24079	159	24079	159	152
		CA		23077	152	23077	152	
		DA		21239	140	21239	140	
		N		22849	151	22849	151	
30L	2LEDSE	LL	80	30029	144	30029	144	209
		CA		28779	138	28779	138	
		DA		26487	127	26487	127	
		N		28204	135	28204	135	
	2LEDHE	LL	80	30002	155	30002	155	194
		CA		28754	148	28754	148	
		DA		26463	137	26463	137	
		N		28470	147	28470	147	
36L	2LEDSE	LL	80	36087	146	36087	146	247
		CA		34585	140	34585	140	
		DA		31830	129	31830	129	
		N		33894	137	33894	137	
	2LEDHE	LL	80	36027	159	36027	159	226
		CA		34528	153	34528	153	
		DA		31777	141	31777	141	
		N		34187	151	34187	151	
48L	2LEDSE	LL	80	48011	137	48011	137	350
		CA		46013	131	46013	131	
		DA		42348	121	42348	121	
		N		45093	129	45093	129	
	2LEDHE	LL	80	48103	158	48103	158	305
		CA		46101	151	46101	151	
		DA		42429	139	42429	139	
		N		45646	150	45646	150	

\*LED Chips are frequently updated therefore values are nominal.





# Alliance LED Linear High Bay

## PERFORMANCE (CONT.)

DELIVERED LUMENS (AL14)*								
Lumen Package	LED Gen	Distribution	CRI	4000K CCT		5000K CCT		Wattage
				Delivered Lumens	Efficacy	Delivered Lumens	Efficacy	
60L	2LEDSE	LL	80	60051	140	60051	140	428
		CA		57552	135	57552	135	
		DA		52968	124	52968	124	
		N		56401	132	56401	132	
	2LEDHE	LL	80	60100	154	60100	154	389
		CA		57599	148	57599	148	
		DA		53011	136	53011	136	
		N		57030	147	57030	147	
80L	2LEDSE	LL	80	80088	146	80088	146	550
		CA		76755	140	76755	140	
		DA		70641	128	70641	128	
		N		75220	137	75220	137	
100L	2LEDSE	LL	80	100024	130	100024	130	768

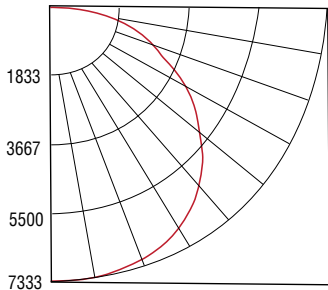
AL12 AMBIENT RATING, HE/SE OUTPUTS		
Model	Lens Option	
	LL	CA, DA, N
12L	60	55
15L		
18L		
24L	50	45
30L		
36L		
48L		
60L	45	40

AL14 AMBIENT RATING, HE/SE OUTPUTS		
Model	Lens Option	
	LL	CA, DA, N
12L	60	55
15L		
18L		
24L		
30L		
36L	50	45
48L		
60L		
80L	40	NA
100L		

## PHOTOMETRICS

[Back to Quick Links](#)

AL12 2LEDHE 24L LL W 40



Luminaire photometry has been conducted by a NVLAP accredited testing laboratory in accordance with IESNA LM-79-08. As specified by IESNA LM-79-08 the entire luminaire is tested as the source resulting in a luminaire efficiency of 100%.

See <https://www.lsicorp.com/product/alliance-high-bay/> for detailed photometric data.

ZONAL LUMEN SUMMARY			ZONAL LUMEN SUMMARY		
ZONE	LUMENS	%FIXTURE	ZONE	LUMENS	%FIXTURE
0-20	2743.82	11.40	60-80	5123.36	21.30
0-30	5967.2	24.80	70-80	1843.2	7.60
0-40	10026.61	41.60	80-90	404.03	1.70
0-60	18568.54	77.10	90-110	0.00	0.00
0-80	23691.9	98.30	90-120	0.00	0.00
0-90	24095.93	100.00	90-130	0.00	0.00
10-90	23399.06	97.10	90-150	0.00	0.00
20-40	7282.79	30.20	90-180	0.00	0.00
20-50	11679.63	48.50	110-180	0.00	0.00
40-70	11822.09	49.10	0-180	24095.93	100.00

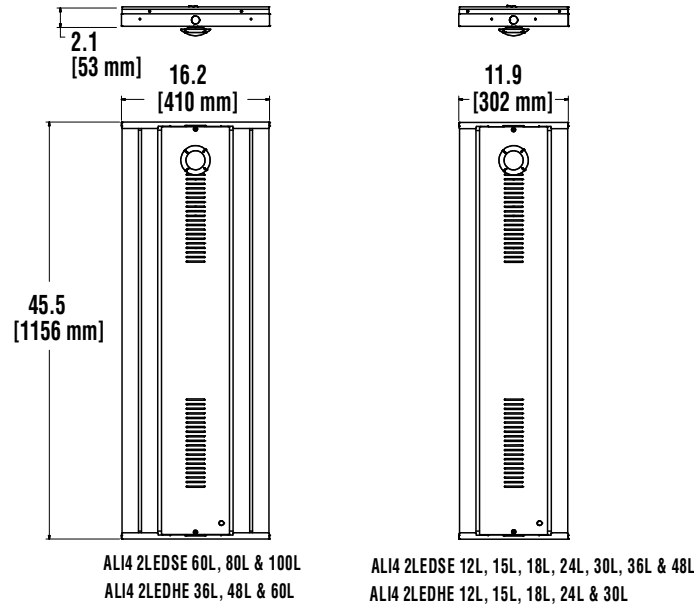




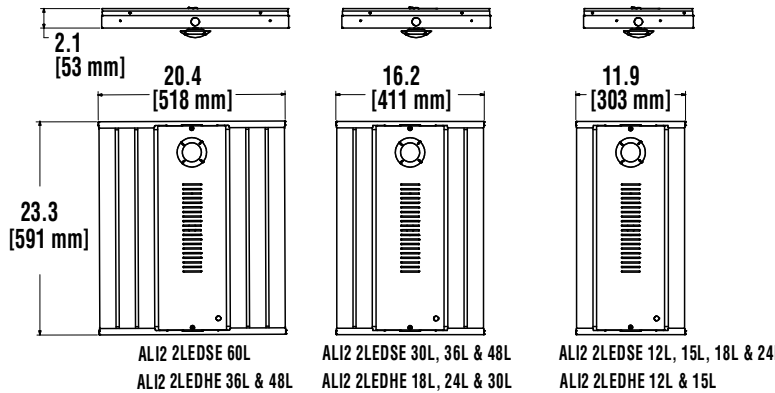
# Alliance LED Linear High Bay

## PRODUCT DIMENSIONS

[Back to Quick Links](#)



ALI4 SHIPPING WEIGHTS					
ALI4 2LEDSE 12L	18.4 lbs	ALI4 2LEDSE 24L	18.4 lbs	ALI4 2LEDSE 48L	20.6 lbs
ALI4 2LEDHE 12L	18.4 lbs	ALI4 2LEDHE 24L	18.4 lbs	ALI4 2LEDHE 48L	25.6 lbs
ALI4 2LEDSE 15L	18.4 lbs	ALI4 2LEDSE 30L	18.4 lbs	ALI4 2LEDSE 60L	25.6 lbs
ALI4 2LEDHE 15L	18.4 lbs	ALI4 2LEDHE 30L	18.4 lbs	ALI4 2LEDHE 60L	25.6 lbs
ALI4 2LEDSE 18L	18.4 lbs	ALI4 2LEDSE 36L	20.6 lbs	ALI4 2LEDSE 80L	29.8 lbs
ALI4 2LEDHE 18L	18.4 lbs	ALI4 2LEDHE 36L	25.6 lbs	ALI4 2LEDSE 100L	29.8 lbs
* Add 4 lbs for 10 watt EM					
* Add 6 lbs for 20 watt EM					



ALI2 SHIPPING WEIGHTS					
ALI2 2LEDSE 12L	11.0 lbs	ALI2 2LEDSE 24L	11.0 lbs	ALI2 2LEDSE 48L	15.8 lbs
ALI2 2LEDHE 12L	11.0 lbs	ALI2 2LEDHE 24L	13.6 lbs	ALI2 2LEDHE 48L	20.2 lbs
ALI2 2LEDSE 15L	11.0 lbs	ALI2 2LEDSE 30L	13.6 lbs	ALI2 2LEDSE 60L	20.2 lbs
ALI2 2LEDHE 15L	11.0 lbs	ALI2 2LEDHE 30L	13.6 lbs		
ALI2 2LEDSE 18L	11.0 lbs	ALI2 2LEDSE 36L	15.8 lbs		
ALI2 2LEDHE 18L	13.6 lbs	ALI2 2LEDHE 36L	20.2 lbs		
* Add 4 lbs for 10 watt EM					
* Add 6 lbs for 20 watt EM					