



Catalog #: _____ Project: _____

Prepared By: _____ Date: _____ Type: _____

AirLink Blue

Technology Partner **SILVAIR**

Microwave Motion Sensor Module

The AirLink Blue microwave motion sensor controller provides multi-level control based on motion. Multiple fixtures can be grouped to be controlled by a single sensor. Controls 0-10 VDC LED drivers and is rated for cold and wet locations (-30°C to 70°C). Emits microwaves at 10.525 GHZ and uses the Doppler shift of the return waves to detect motion. Control parameters are adjustable via an iOS App capable of storing and transmitting sensor profiles. The addition of an AirLink Blue Time Keeper adds the ability to schedule multiple events based on time of day or Astronomical clock.

FEATURES & SPECIFICATIONS

Construction

- Bluetooth Mesh radio pairs with iOS applications for initial system setup and subsequent adjustments or changes.
- Emits microwaves at 10.525 GHZ and uses the Doppler shift of the return waves to detect motion.
- Sensor housing is white polycarbonate
- Sensor settings are stored and maintained in the event of a power failure

Electrical

- Class 2 device with a 0-10V configurable dimming output
- Operates on 12-24 VDC from either a 120-277V power pack or auxiliary output driver

Controls

Range (Line of sight)

- Phone App to fixture 100 feet
- Fixture to Fixture 150 feet
- Time Keeper to Fixture 100 feet glass wall, 50 feet solid wall

Installation

- Designed for installation inside the luminaire.
- Mounting Height
 - Ceiling 30ft (9.1m)
 - Wall 35ft (10.7m)
- Sensor Range
 - Ceiling 36ft x 92ft (11m x 28m)
 - Wall 10ft x 65ft (3m x 19.8m)
- Rated for use in -22°F to 158°F (-30°C to 70° C) environments

Warranty

- LSI LED fixtures carry a 5-year warranty.

Listings

- UL Listed
- FCC
- CE
- Bluetooth

ORDERING GUIDE

Catalog Number Suffix	Description
ALBCWS	AirLink Blue Microwave Motion Sensor Module

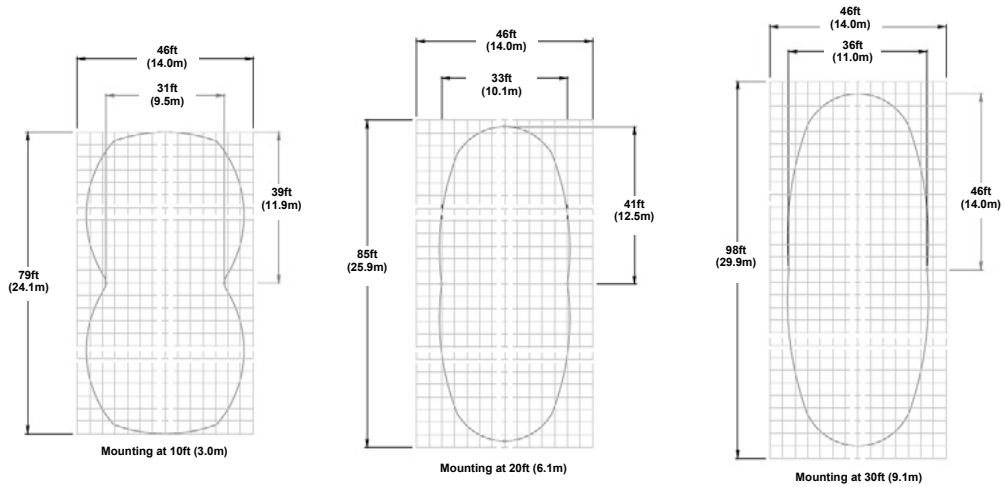
*Add catalog number suffix to the catalog number of compatible fixtures.



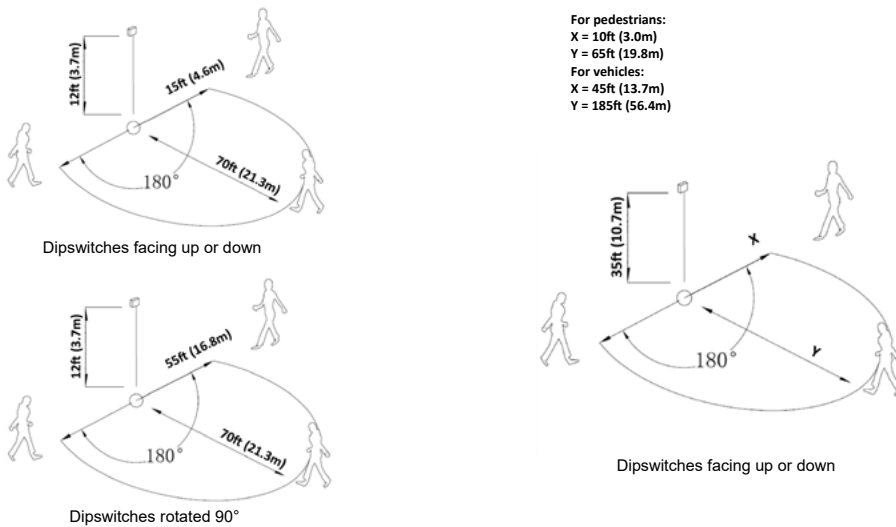


PERFORMANCE

Detection Area for 10ft, 20ft, 30ft (3m, 6.1m, 9.1m) Ceiling Mounted



Detection Area for 12ft, 35ft (3.7m, 10.7m) Sideways Mounted



PRODUCT DIMENSIONS

