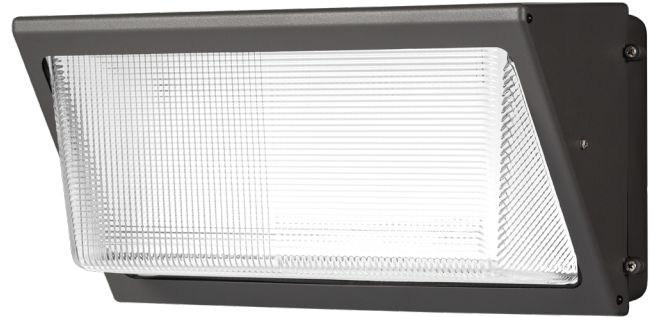




Traditional Wall Light Extra Large (TXWP)

Wall Light



OVERVIEW

Lumen Package	7,000 -13,000
Wattage Range	56 - 115
Efficacy Range (LPW)	108 - 124
Weight lbs (kg)	15 (6.8)

QUICK LINKS

[Ordering Guide](#)[Performance](#)[Photometrics](#)[Dimensions](#)

FEATURES & SPECIFICATIONS

Construction

- Rugged traditional aluminum die cast housing provides proven environmental protection for LED modules.
- Traditional fixture design provides a familiar look and standard installation requirements.
- Retaining this look allows the ability to upgrade fixtures gradually, while retaining the same overall fixture appearance throughout a facility.
- Patent pending thermal stacking technology system features a unique internal design that allows for lower operating temperatures which results in a brighter, whiter light, more stable color and longer LED and driver life.
- LEDs manufactured for the TXWP series utilize Epoxy Guard conformal coating which reduces the chance of board corrosion.
- Weight: 15 lbs in carton.

Optical System

- Tempered glass lens.
- Lens assembly is designed to provide high efficiency and to target the light where needed to satisfy outdoor lighting requirements.
- Positioning of the LEDs result in the light being directed to desired locations eliminating glare and offensive light.

- Available in 5000K, 4000K and 3000K color temperatures per ANSI C78.377.
- Minimum CRI of 80.

Electrical

- High-performance driver features overvoltage, under-voltage, short-circuit and over temperature protection.
- 0-10V dimming (10% - 100%) standard.
- Standard Universal Voltage (120-277 VAC) Input 50/60 Hz or optional High Voltage (347-480 Vac)
- Total harmonic distortion: <20%
- Operating temperature: -40°C to +40°C (-40°F to +104°F).
- Power factor: >0.90
- Components are fully encased in potting material for moisture resistance. Driver complies with FCC standards. Driver and key electronic components can easily be accessed.
- Minimum 4kV surge rating
- Optional 120v-277v integral emergency battery pack is available to meet critical life safety lighting requirements. The 90-minute batteries provide constant power to the LED system, ensuring code compliance. A test switch/indicator button is installed on the housing for ease of maintenance. Provides -1,500 lumens of emergency illumination.

Controls

- Optional factory installed electronic button photocontrol (apertures for field install).

Installation

- Fixture retains the same knock-out sizes and positions as previous models, reducing wiring costs.

Warranty

- LSI luminaires carry a 5-year limited warranty. Refer to <https://www.lsicorp.com/resources/terms-conditions-warranty/> for more information.
- 1 Year warranty on optional button photocell.
- 1 Year warranty on optional Battery Back Up. Test regularly in accordance with local codes.

Listings

- Listed to UL 1598 and UL 8750.
- CSA Listed.
- Meets Buy American Act requirements.
- RoHS Compliant.
- Suitable for wet locations.
- DesignLights Consortium® (DLC) qualified product. Not all versions of this product may be DLC qualified. Please check the DLC Qualified Products List at www.designlights.org/QPL to confirm which versions qualify.





Traditional Wall Extra Large (TXWP)

ORDERING GUIDE

[Back to Quick Links](#)TYPICAL ORDER EXAMPLE: **TXWP 10L UNV 40 CWBB BZA PCI120**

Family	Lumen Package*	Voltage	Dimming	Color Temperature	Options	Finish	Controls
TXWP LED - Traditional Wall Extra Large	7L - 7,000 Lumens	UNV - Universal Voltage (120-277V) HV - 347-480V	DIM - Dim to 10% (0-10V)	50 - 5,000K CCT - 80 CRI	CWBB - Cold Weather Battery Backup (120-277V Only)	BZA - Bronze BLK - Black SLV - Silver WHT - White	PCI120 - 120V Button Photocell PCI208-277 - 208-277V Button Photocell
	10 - 10,000 Lumens			40 - 4,000K CCT - 80 CRI			
	13L - 13,000 Lumens			30 - 3,000K CCT - 80 CRI			

Accessory Ordering Information

Description	Order Number
TXWP Wire Guard	665759

PERFORMANCE

DELIVERED LUMENS											
Lumens	CRI	3000K			4000K			5000K			Wattage
		Delivered Lumens	Efficacy	BUG Rating	Delivered Lumens	Efficacy	BUG Rating	Delivered Lumens	Efficacy	BUG Rating	
7L	80	6046	108	B1-U4-G4	6933	124	B1-U4-G4	6933	124	B1-U4-G4	56
10L		9958	122	B1-U5-G5	9958	122	B1-U5-G5	9958	122	B1-U5-G5	82
13L		12510	108	B2-U5-G5	13170	114	B2-U5-G5	13170	114	B2-U5-G5	115

ELECTRICAL DATA*						
Lumens	120V	208V	240V	277V	347V	480V
7L	0.47	0.27	0.23	0.20	0.16	0.12
10L	0.68	0.39	0.34	0.30	0.24	0.17
13L	0.96	0.56	0.48	0.42	0.33	0.24

*Electrical data at 25C (77F). Actual wattage may differ by +/-10%.

ENERGY SAVINGS					
LED			HID		
Wattage	Annual Cost	Source Wattage	Total Wattage Used	Annual Cost	Annual Savings
56	\$24	250	285	\$150	\$126
82	\$35	250	285	\$150	\$115
82	\$35	400	458	\$226	\$191
117	\$50	400	458	\$226	\$176





Traditional Wall Extra Large (TXWP)

PHOTOMETRICS

[Back to Quick Links](#)

Luminaire photometry has been conducted by an accredited laboratory in accordance with IESNA LM-79. As specified by IESNA LM-79 the entire luminaire is tested as the source resulting in a luminaire efficiency of 100%.

TXWP 13L UNV 40

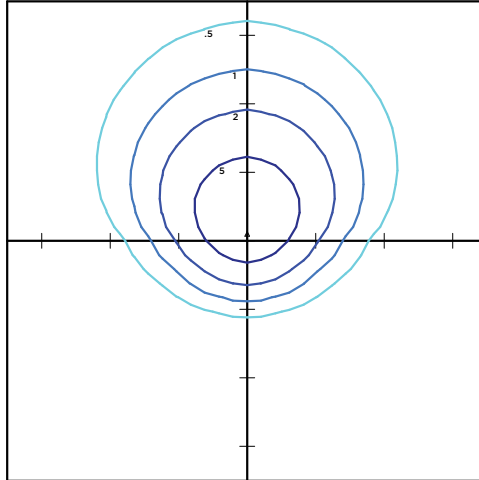
LUMINAIRE DATA

Type 4 Distribution	
Description	4000 Kelvin, 70 CRI
Delivered Lumens	13,171
Watts	115
Efficacy	115
IES Type	Type IV - Very Short
BUG Rating	B2-U5-G5

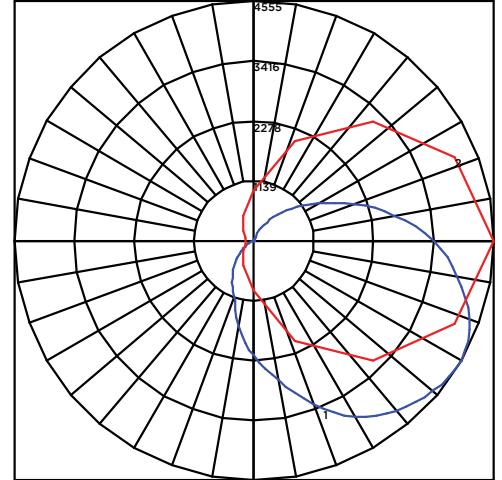
Zonal Lumen Summary

Zone	Lumens	%Luminaire
Low (0-30)°	1751	13%
Medium (30-60)°	4343	33%
High (60-80)°	3054	23%
Very High (80-90)°	1246	9%
Uplight (90-180)°	2778	21%
Total Flux	13171	100%

ISO FOOTCANDLE



POLAR CURVE



15' Mounting Height/15' Grid Spacing

5 FC
 2 FC
 1 FC
 .5 FC

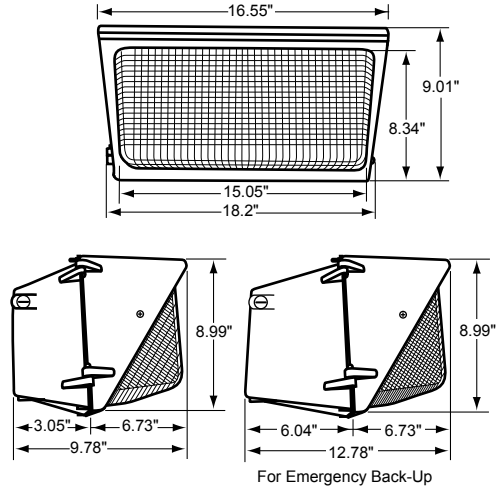




Traditional Wall Extra Large (TXWP)

PRODUCT DIMENSIONS

[Back to Quick Links](#)



Mounting Detail

