



# Traditional Flood Extra Large (TXFL)

## Outdoor Flood Light



### OVERVIEW

Lumen Package	20,000 - 25,000
Wattage Range	142-180
Efficacy Range (LPW)	137-154
Weight lbs (kg)	21 lbs

### QUICK LINKS

[Ordering Guide](#)[Performance](#)[Photometrics](#)[Dimensions](#)

## FEATURES & SPECIFICATIONS

### Optical System

- Flood optic version utilizes high grade acrylic lenses that focuses light providing illumination on target, less glare and less wasted light.
- Extra wide distribution pattern is designed to provide maximum light spread for short set backs when lighting signs and washing walls.
- Minimum CRI of 70

### Electrical

- High-performance driver features over-voltage, under voltage, short-circuit and over temperature protection.
- 0-10 volt dimming (10% - 100%) standard
- Standard Universal Voltage (120-277 Vac) Input 50/60 Hz or optional High Voltage (347-480 Vac).
- L70 Calculated Life: >100k Hours
- Total harmonic distortion: <20%
- Power factor: >.85
- Input power stays constant over life.
- Driver Off-State Power is 0 watts.
- Components are fully encased in potting material for moisture resistance. Driver complies with FCC standards. Driver and key electronic components can easily be accessed.
- Minimum 2.5kV surge rating.

### Construction

- Rigid Precision Die cast-aluminum housing for durability and consistency
- Vertical fins serve as a heat sink and resist accumulation of dust and debris
- The Patent Pending thermal stacking heat removal technology extracts heat from within the housing moving it away from LEDs and integral components
- Luminaire is proudly manufactured and tested in the U.S.
- Fixtures are finished with LSI's DuraGrip® polyester powder coat finishing process. The DuraGrip finish withstands extreme weather changes without cracking or peeling. Other standard LSI finishes available.
- Shipping weight: with Trunnion (standard) 20 lbs / with Slipfitter 21 lbs

### Controls

- Optional electronic button Photocontrol
- Apertures for field or factory installed photocontrol.

### Warranty

- LSI LED Fixtures carry a 5-year warranty
- 1 Year warranty on optional Button Photocell.

### Listings

- Listed to UL 1598 and UL 8750
- CSA Listed
- RoHS Compliant
- Suitable For Wet Locations
- DesignLights Consortium Premium qualified luminaire, eligible for rebates from DLC member utilities.





# Traditional Flood Extra Large

## ORDERING GUIDE

[Back to Quick Links](#)TYPICAL ORDER EXAMPLE: **TXFL LED 25L W UNV DIM 40 BZA TR**

Prefix	Lumen Package	Distribution	Voltage	Dimming	Color Temperature	Color Rendering	Finishes	Mounting	Options/Controls
<b>TXFL LED - Flood Light</b>	<b>20L - 20,000 Lumens</b> <b>25L - 25,000 Lumens</b>	<b>W - Extra Wide Distribution (NEMA 7x7)</b> <b>F - Flood Optic Distribution (NEMA 6x6)</b>	<b>UNV - Universal Voltage (120-277V)</b> <b>HV - High Voltage (347-480V)</b>	<b>DIM - Dim to 10% (0 to 10V)</b>	<b>30 - 3,000K CCT</b> <b>40 - 4,000K CCT</b> <b>50 - 5,000K CCT</b>	<b>Blank - 70 Color Rendering Index</b>	<b>BZA - Bronze</b> <b>BLK - Black*</b> <b>WHT - White*</b>	<b>TR - Trunion</b> <b>SF - Slip Fitter</b>	<b>PCI120 - 120V Photocontrol</b> <b>SP1 - 10K Surge Protection</b> <b>PCI208-277 - 208V - 277V Photocontrol</b> <b>CR7P - 7 Pin Control Receptacle</b>

\* Additional lead time

## PERFORMANCE

[Back to Quick Links](#)

DELIVERED LUMENS*								
Lumens	Distribution	3000K CCT		4000K CCT		5000K CCT		Wattage
		Delivered Lumens	Efficacy	Delivered Lumens	Efficacy	Delivered Lumens	Efficacy	
20L	F	20,200	142	21,338	150	21,534	152	142
	W	20,540	144	20,540	144	21,750	154	
25L	F	24,840	138	26,240	147	26,480	148	180
	W	25,040	139	25,040	139	25,040	139	

\*LEDs are frequently updated therefore values are nominal.

ENERGY SAVINGS					
LED		HID			
Wattage	Annual Cost	Source Wattage	Total Wattage	Annual Cost	Annual Savings
142	\$68	400	458	\$226	\$158
		750	840	\$405	\$337
180	\$87	750	840	\$405	\$318

\*Electrical data at 25C (77F). Actual wattage may differ by +/-10%.





# Traditional Flood Extra Large

## PRODUCT DIMENSIONS

[Back to Quick Links](#)

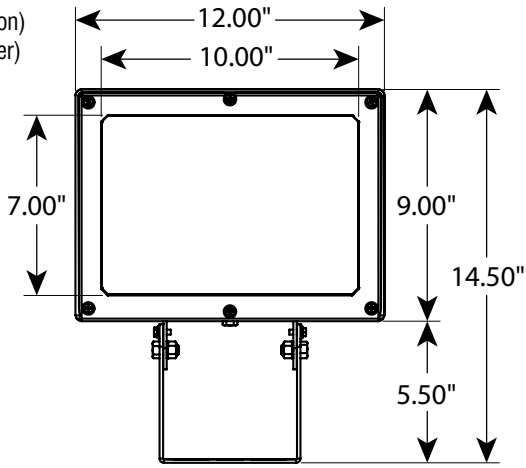
### Weight

20 lbs. (with Trunnion)

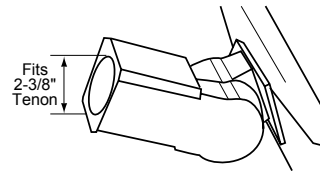
21 lbs. (with Slipfitter)

### EPA

1.00



### Slipfitter



### Trunnion

