



Triumph (TRI)

Specification-grade LED Troffer



OVERVIEW

Lumen Range (lm)	3,500-7,300
CCT (K)	3000, 3500, 4000, 5000
Wattage Range (W)	30-55
Efficacy Range (LPW)	112-138
Weight lbs (kg) 2x2 2x4	10.2 (4.6) 19.2 (8.7)

QUICK LINKS

[Ordering Guide](#)
[Performance](#)
[Photometrics](#)
[Dimensions](#)

FEATURES & SPECIFICATIONS

Construction

- Full body housing 2x2 and 2x4 form factors
- Cold-rolled sheet metal 22 gauge
- Post-painted for high quality finish
- Operating temperature: 32°F to +104°F (0°C to 40°C)
- Factory-installed perf options

Optical System

- Backlit illumination for uniform luminance
- Selectable brightness to suit a wide range of applications
- Selectable CCT for maximum user flexibility
- Minimum color rendering index (CRI) of 80 for high visual acuity

Electrical

- High-performance driver features over-voltage, under-voltage, short-circuit and over-temperature protection
- Selectable power to maximize energy savings

- 0-10V dimming (10% - 100%) standard
- Standard Universal Voltage (120-277VAC) Input 50/60 Hz
- L70 Calculated Life: >100k hours (See Lumen Maintenance on Page 2)
- Power factor: > 0.90
- Total harmonic distortion: <20%

Controls

- Fixture-integrated as well as external control options
- Standalone or Networked options available
- Available with Integrated AirLink Blue (ALB). ALB is a low-power wireless Bluetooth mesh control system. ALB provides significant energy savings while ensuring code compliance and security
- Also available with third party controls. See ordering guide for details.

Installation

- Recessed grid mounting
- Includes earthquake clips for secondary retention

Warranty

- LSI luminaires carry a 5-year limited warranty. Refer to <https://www.lsicorp.com/resources/terms-conditions-warranty/> for more information.
- 1 Year warranty on optional Battery Backup. Test regularly in accordance with local codes.

Listings

- Certified to UL 1598 and UL 8750.
- Suitable for damp locations.



**ORDERING GUIDE**TYPICAL ORDER EXAMPLE: **TRI24 FS1 UNV ALBCSD**

Family	Light Output, CCT	Voltage	Controls	Options
TRI22	FS - 3,500 - 4,800 - 6,000 lm 3000 - 3500 - 4000 - 5000K	UNV - Universal Voltage (120V-277V)	Blank - No sensor IMS1 - Integrated standalone PIR and Bi-level Daylight sensor ALBCSD - Integrated AirLink Blue Wireless Motion and Daylight Harvesting sensor ALBC - Integrated AirLink Blue controller WSCS - Wattstopper LMFS-601 integrated wireless PIR motion/daylight sensor AVC - Avi-on LVFA integrated wireless controller single channel AVCM - Avi-on IFA integrated wireless controller 5 Amp 120-277VAC	Blank - No options EM - Battery Backup 120-277VAC FC15D - 6' cord 3/8" (5 wire) #18 leads FC16DEM - 6' cord 3/8" (6 wire) #18 leads PFC22 - 2x2 Perf Lens, Circular aperture PFR22 - 2x2 Perf Lens, Rectangular aperture PFC24 - 2X4 Perf Lens, Circular aperture, factory installed PFR24 - 2X4 Perf Lens, Rectangular aperture, factory installed
TRI24	FS - 3,700 - 5,800 - 7,300 lm 3000 - 3500 - 4000 - 5000K			

Accessories (Mounting Options are field installed)

Description	Order Number
Flange Kit 2x2	M20027
Flange Kit 2x4	M20028
EM10RMK 10W Emergency Remote Mount Kit	781190
ALBC 5A UNV - AirLink Blue 5 Amp Circuit controller	755249
ALBC 5A OS1 UNV - Air Link Blue Motion and Daylight Harvesting Sensor 10ft. Mounting Height	755248

FOOTNOTES:

1. WSCS, AVC, AVCM not available with EM option on 2x2

DELIVERED LUMENS*									
Form Factor	Wattage	3000K CCT		3500K CCT		4000K CCT		5000K CCT	
		Lumens	Efficacy	Lumens	Efficacy	Lumens	Efficacy	Lumens	Efficacy
TRI22	51	5,891	116	5,942	117	5,998	118	6,262	124
	41	4,778	117	4,817	118	4,866	119	5,080	125
	32	3,537	112	3,766	119	3,805	120	3,972	125
TRI24	55	6,786	123	6,805	124	6,910	125	7,351	133
	45	5,771	127	5,782	128	5,877	130	6,247	138
	29	3,700	126	3,768	128	3,830	130	4,071	138

*LEDs are frequently updated therefore values are nominal.

Electrical Data (Amps)*					
Lumen Package	Wattage	120V	208V	240V	277V
TRI22	50.0	0.42	0.24	0.21	0.18
	40.7	0.34	0.20	0.17	0.15
	31.7	0.27	0.15	0.13	0.12
TRI24	55.1	0.46	0.26	0.23	0.20
	45.2	0.38	0.22	0.19	0.16
	29.4	0.25	0.14	0.12	0.11

*Electrical data at 25C (77F). Actual wattage may differ by +/-10%.

RECOMMENDED LUMEN MAINTENANCE ¹ (12L-18L)					
Ambient Temp C	Initial ²	25K hr ²	50K hr ²	75K hr ³	100K hr ³
0 C	100%	97%	93%	89%	85%
10 C	100%	97%	93%	89%	85%
20 C	100%	97%	93%	89%	85%
25 C	100%	97%	93%	89%	85%
30 C	100%	97%	92%	88%	84%
40 C	100%	96%	92%	87%	83%

FOOTNOTES:

- 1 - Lumen maintenance values at 40C are calculated per TM-21 based on LM-80 data and in-situ testing.
- 2 - In accordance with IESNA TM-21-11, Projected Values represent interpolated value based on time durations that are within six times the IESNA LM-80-08 total test duration for the device under testing.
- 3 - In accordance with IESNA TM-21-11, Calculated Values represent time durations that exceed six times the IESNA LM-80-08 total test duration for the device under testing. Perf options cut down light by 15-20%, also not DLC listed.





Catalog #: _____ Project: _____

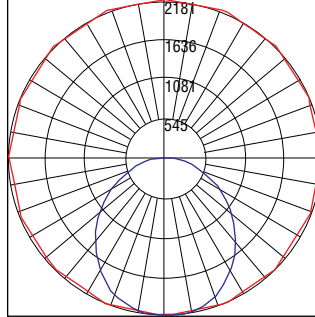
Prepared By: _____ Date: _____ Type: _____

PHOTOMETRICS

All published luminaire photometric testing performed to IESNA LM-79 standards by a certified laboratory. For complete specifications and IES files, see website. See <http://www.lsi-industries.com/products/led-lighting-solutions.aspx> for detailed photometric data.

TRI22-FS-51W-4000K

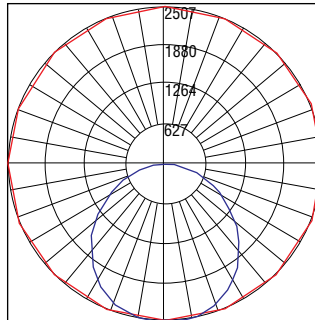
ZONAL LUMEN SUMMARY		
Zone	Lumens	%Fixt
0-20	801.76	13.4
0-30	1697.36	28.3
0-40	2758.39	46.0
0-60	4773.83	79.6
0-80	5880.66	98.0
0-90	5998.03	100.0
10-90	5790.91	96.5
20-40	1956.63	32.6
20-50	3028.96	50.5
40-70	2719.05	45.3
60-80	1106.83	18.5
70-80	403.22	6.7
80-90	117.38	2.0
0-180	5998.03	100.0



CCT PRORATION TRI22	
3000K	0.982
3500K	0.990
4000K	1.000
5000K	1.044

TRI24-FS-55W-4000K

ZONAL LUMEN SUMMARY		
Zone	Lumens	%Fixt
0-20	919.85	13.3
0-30	1948.05	28.2
0-40	3166.88	45.8
0-60	5491.98	79.5
0-80	6772.23	98.0
0-90	6910.00	100.0
10-90	6672.49	96.6
20-40	2247.03	32.5
20-50	3482.57	50.4
40-70	3139.52	45.4
60-80	1280.25	18.5
70-80	465.83	6.7
80-90	137.77	2.0
0-180	6910.00	100.0



CCT PRORATION TRI24	
3000K	0.982
3500K	0.984
4000K	1.000
5000K	1.063

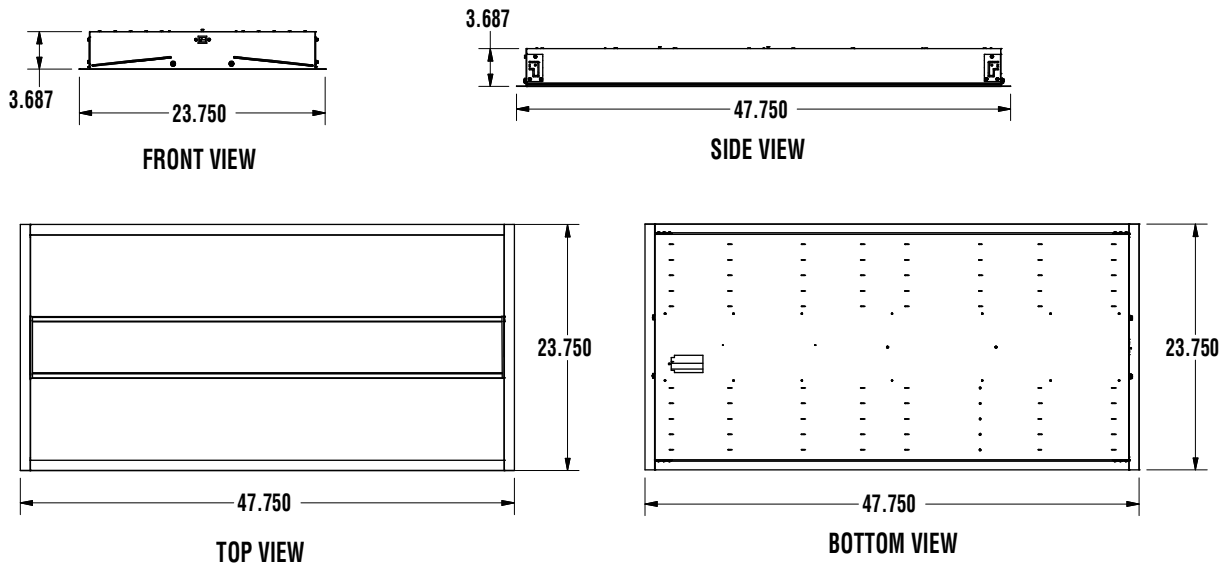




PRODUCT DIMENSIONS

[Back to Quick Links](#)

2x4



2x2

