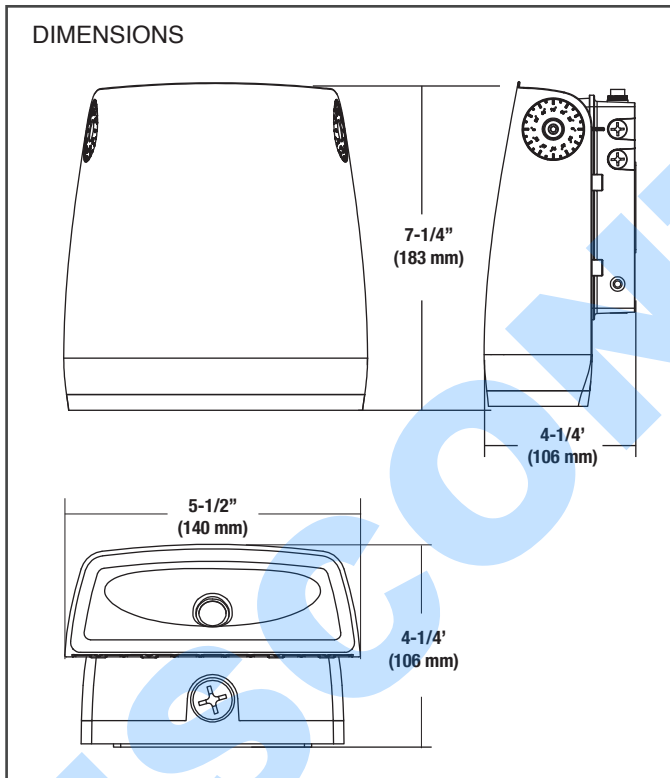




LED ARCHITECTURAL WALL PACK (SAWP)



Adjustable



CONSTRUCTION: Die-cast aluminum housing with stainless steel hardware, impact-resistance borosilicate glass lens and ingress resistant gasket.

LEDs: Select High-performance COB LEDs. Color temperature available in 5000K and 4000K with CRI = 70 and 80 respectively

ELECTRICAL: Class 2 driver has universal voltage (120-277v, 50/60 Hz) input. 10Kv surge protection standard.

DIMMING: 0-10 volt dimming.

OPERATING TEMPERATURE: -35° through 40°C (-31° through 104°F)

PHOTOCELL: 120-277 photocell standard with cover.

FINISH: Chip and fade resistant powder coat finish

INSTALLATION: Luminaire features a back plate design to be easily mounted to a 4" inch square electrical junction box

PHOTOMETRICS: Please visit our web site at www.lsi-industries.com for detailed photometric data

EXPECTED LIFE: Minimum 50,000 hours

WARRANTY: Limited 5-year warranty

LISTING: UL listed to U.S. and Canadian safety standards. Suitable for wet locations. For a list of the specific products in this series that are DLC listed, please consult the LED Lighting section of our website or the Design Lights website at www.designlights.org

TECHNICAL INFORMATION

Feature	PL1	
Color Temperature	4000K	5000K
System Wattage	14w	
Replaces	70w HID	
Lumens	1327 lms	1651 lms
Lumens Per Watt	96 lpw	114 lpw
CRI	80	70
Dimensions (Inches)	4.20" x 6.22" x 7.21"	
Weight	6.06 lbs.	



IP65

lighting facts®
A Program of the U.S. DOE

Project Name _____

Fixture Type _____

Cat# _____

www.lsi-industries.com

03/01/17
© LSI INDUSTRIES INC.



LED ARCHITECTURAL WALL PACK (SAWP)

LUMINAIRE ORDERING INFORMATION

TYPICAL ORDER EXAMPLE: **SAWP LED PL1 50 UE BRZ PD**

Prefix	Light Source	Drive Current	Color Temperature	Input Voltage	Finish ¹	Controls
SAWP (Architectural Wall Pack)	LED	PL1 - Performance level 1	40 - 4000K 50 - 5000K	UE - Universal Voltage (120-277V)	BRZ - Bronze BLK - Black	PD - Photocell Dimming

1. White and specialty finishes available. Consult factory for prices and lead time.

BUG Listing

SAWP - TYPE WB

Perform. Level	Color Temp.*	Lumens	Watts	LER	BUG Rating
PL1	40	1347	14	98	B1-U1-G0
	50	2159	20	110	B1-U1-G0

* Color Temperature: 40-4000K, 50-5000K

DISCONTINUED



IP65

lighting facts
A Program of the U.S. DOE

Project Name _____ | Fixture Type _____ | Cat# _____