



Catalog #: _____ Project: _____

Prepared By: _____ Date: _____ Type: _____

PFL (12L & 16L)

LED High Performance Flood



OVERVIEW

Lumen Package	11,000-16,000
Wattage Range	102 -142
Efficacy Range (LPW)	110 -119
Weight lbs(kg)	11 (5)

QUICK LINKS

[Ordering Guide](#)[Performance](#)[Photometrics](#)[Dimensions](#)

FEATURES & SPECIFICATIONS

Construction

- Precision Die cast-aluminum housing for durability and consistency.
- Heat and impact resistant polycarbonate lens (IK 9 rated).
- IP66 rated luminaire protects integral components from harsh environments.
- Wireway enclosure is sealed with a water-tight, silicon rubber gasket.
- Optional glare shields (full & half) & wire guards are available.
- Optional NEMA 3 wire photocell receptacle provides watertight attachment to driver enclosure clover. Includes shorting cap but not the photocontrol device.
- Rated for 3G protection.
- Salt fog tested for 1,000 hours (ASTM B117). After salt fog testing, paint rated at 9 per ASTM D1654-05 scratch test.
- High-efficacy LEDs with integrated circuit board mount directly to the housing to maximize heat dissipation and promote long life.

Optical System

- NEMA floodlight distributions available in Narrow (3 x 3), Medium (4 x 4), Wide (5 x 5), Very Wide (7 x 7).
- Available in 4000K and 5000K color temperatures.
- Minimum CRI of 80.

Electrical

- High-performance driver features over-voltage, under voltage, short-circuit and over temperature protection.
- Components are fully encased in potting material for moisture resistance. Driver complies with FCC standards. Driver and key electronic components can easily be accessed. Note: FCC Part 15, Class B standards.
- 0-10 volt dimming (10% - 100%) standard.
- Universal Voltage 120-277 VAC Input 50/60 Hz available. 347-480 VAC available on 16L only.
- L70 Calculated Life: > 100k Hours (See Lumen Maintenance chart)
- Total harmonic distortion: <20%
- Power factor >90

- Minimum 6kV surge rating.
- -20°C to 45°C (-4°F to 113°F) operating temperature.

Installation

- Easy installation in new construction or retrofit applications.
- Slip-fitter mount provides attachment to poles with 2 3/8" O.D. tenon.
- Yoke and trunnion mount options provides secure attachment to flat surfaces.

Warranty

- LSI LED fixtures carry a 5-year warranty

Listings

- Listed to UL 1598 and UL 8750.
- Suitable For Wet Locations.
- DesignLights Consortium® (DLC Premium) qualified product. Not all versions of this product may be DLC Premium qualified. Please check the DLC Qualified Products List at www.designlights.org/QPL to confirm which versions are qualified.
- IP66 rated luminaire.
- Rated for 3G vibration.





LED High Performance Flood PFL (12L & 16L)

ORDERING GUIDE

[Back to Quick Links](#)TYPICAL ORDER EXAMPLE: **PFL LED 12L PC WF UNV DIM 40 80 CR3P BRZ SF**

Luminaire Prefix	LED Technology	Lumen Package	Lens Type	Distribution	Line Voltage	Driver	Color Temp	CRI	Controls	Finish	Options
PFL - Performance Flood Light	LED	12L - 12,000 lms 16L - 16,000 lms	PC - Polycarbonate	NF - Narrow Flood MF - Medium Flood WF - Wide Flood VWF - Very Wide Flood	UNV - Universal 120-277V HV - High 347-480V*	DIM - Dim to 10% (0-10V)	40 - 4000K 50 - 5000K	80 - 80 CRI	CR3P - 3 wire Photocontrol receptacle only**	BRZ - Bronze	TR - Trunion Mount SF - Slip Fitter Mount YK - Yoke Mount

Accessory Ordering Information (Accessories are field installed)

*HV only available on 16L
**Photocontrol receptacle and shorting cap only. Control devices by others.

Catalog Number	Description	Part Number
PFL 12L/16L WG	Wire Guard for 12L, 16L	698627
PFL 12L/16L HGS	Half Glare Shield for 12L, 16L	698493
PFL 12L/16L FGS	Full Glare Shield for 12L 16L	698640

For brackets see [Flood Lighting Brackets spec sheet](#).

PERFORMANCE

[Back to Quick Links](#)

DELIVERED LUMENS*										
Lumen Package	Distribution	NEMA	Field Angle H x V	4000K CCT			5000K CCT			Wattage
				Delivered Lumens	Efficacy	Max Beam Candlepower	Delivered Lumens	Efficacy	Max Beam Candlepower	
12L	NF	3 x 4	46 x 47	12817	126	53,464	12495	122	52,120	102
	MF	4 x 4	54 x 55	12753	125	37,294	12432	122	36,356	
	WF	5 x 5	90 x 90	12109	119	9895	11805	116	9646	
	VWF	7 x 7	121 x 164	12219	120	3346	11912	117	3262	
16L	NF	3 x 4	46 x 47	17507	123	73,027	17067	120	71,191	142
	MF	4 x 4	55 x 55	17419	123	51,032	16982	120	49,749	
	WF	5 x 5	90 x 90	16541	116	13,516	16125	114	13,176	
	VWF	7 x 7	148 x 177	16691	118	4570	16271	115	4455	

*LEDs are frequently updated therefore values are nominal.

Recommended Lumen Maintenance - 16L					
Ambient Temp C	Initial ²	25k hr ²	50k hr ²	75k hr ³	100k hr ³
0 C	99%	97%	95%	92%	90%
10 C	99%	97%	95%	92%	90%
20 C	99%	97%	95%	92%	90%
25 C	99%	97%	95%	92%	90%
30 C	99%	97%	95%	92%	90%
40 C	99%	97%	95%	92%	90%
50 C	99%	97%	95%	92%	90%

ELECTRICAL DATA (AMPS)*							
Lumen Package	Wattage	120V	208V	240V	277V	347V	480V
12L	102	0.85	0.49	0.43	0.37	NA	NA
16L	142	1.19	0.68	0.59	0.51	0.41	0.3

*Electrical data at 25C (77F). Actual wattage may differ by +/-10%.

FOOTNOTES:

- Lumen maintenance values at 25C are calculated per TM-21 based on LM-80 data and in-situ testing.
- In accordance with IESNA TM-21-11, Projected Values represent interpolated value based on time durations that are within six times the IESNA LM-80-08 total test duration for the device under testing.
- In accordance with IESNA TM-21-11, Calculated Values represent time durations that exceed six times the IESNA LM-80-08 total test duration for the device under testing.





LED High Performance Flood PFL (12L & 16L)

PHOTOMETRICS

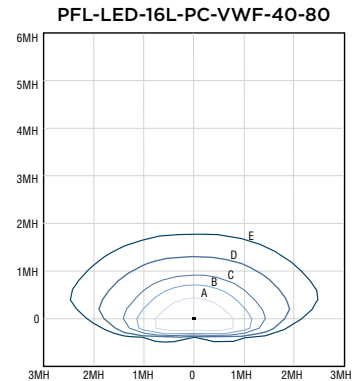
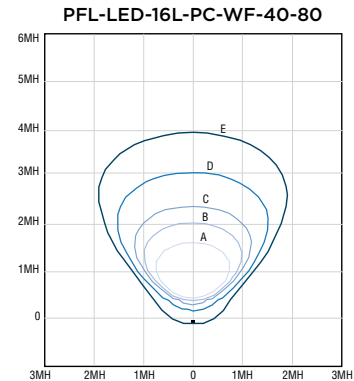
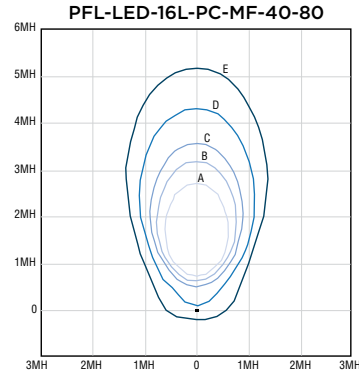
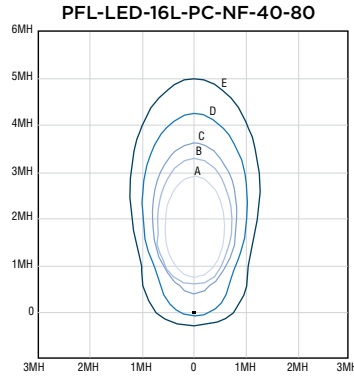
[Back to Quick Links](#)

Luminaire photometry has been conducted by an accredited testing laboratory in accordance with IESNA LM-79-08. As specified by IESNA LM-79-08 the entire luminaire is tested as the source resulting in a luminaire efficiency of 100%.

See <http://www.lsi-industries.com/products/led-lighting-solutions.aspx> for detailed photometric data.

PFL-LED-16L-PC-xx-40-80 - 65 Degree Tilt

Mounting Height	A	B	C	D	E
12	13.89	8.33	5.56	2.78	1.39
14	10.20	6.12	4.08	2.04	1.02
16	7.81	4.69	3.13	1.56	0.78
18	6.17	3.70	2.47	1.23	0.62
20	5.00	3.00	2.00	1.00	0.50
22	4.13	2.48	1.65	0.83	0.41
24	3.47	2.08	1.39	0.69	0.35
26	2.96	1.78	1.18	0.59	0.30
28	2.55	1.53	1.02	0.51	0.26
30	2.22	1.33	0.89	0.44	0.22



Multipliers for Additional Configurations

Configuration	Factor
PFL-LED-12L-PC-xx-40-80	0.73



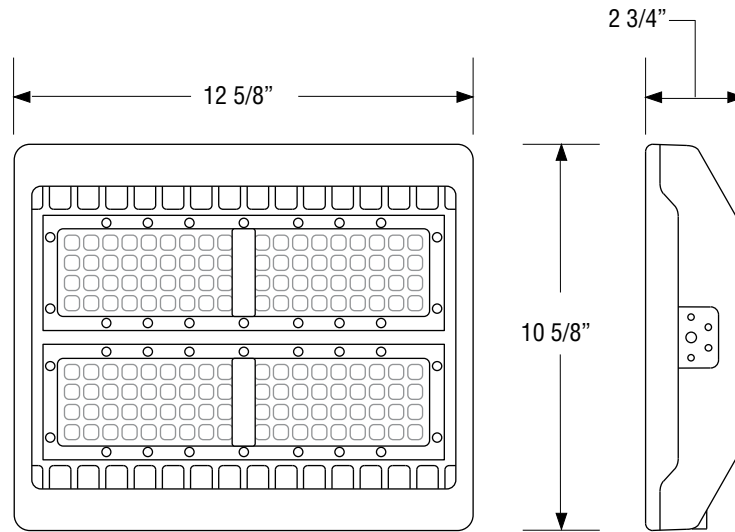


LED High Performance Flood PFL (12L & 16L)

PRODUCT DIMENSIONS

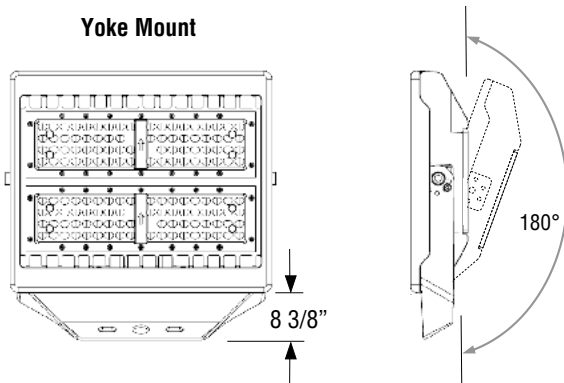
[Back to Quick Links](#)

EPA
1.1

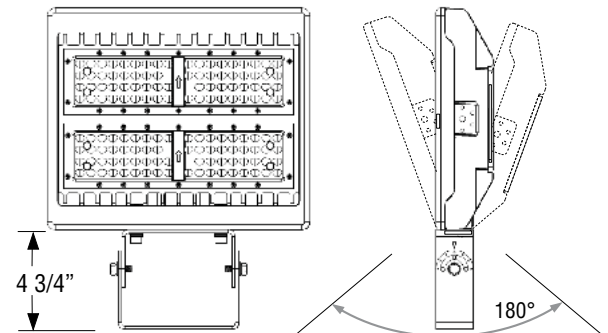


Mounting

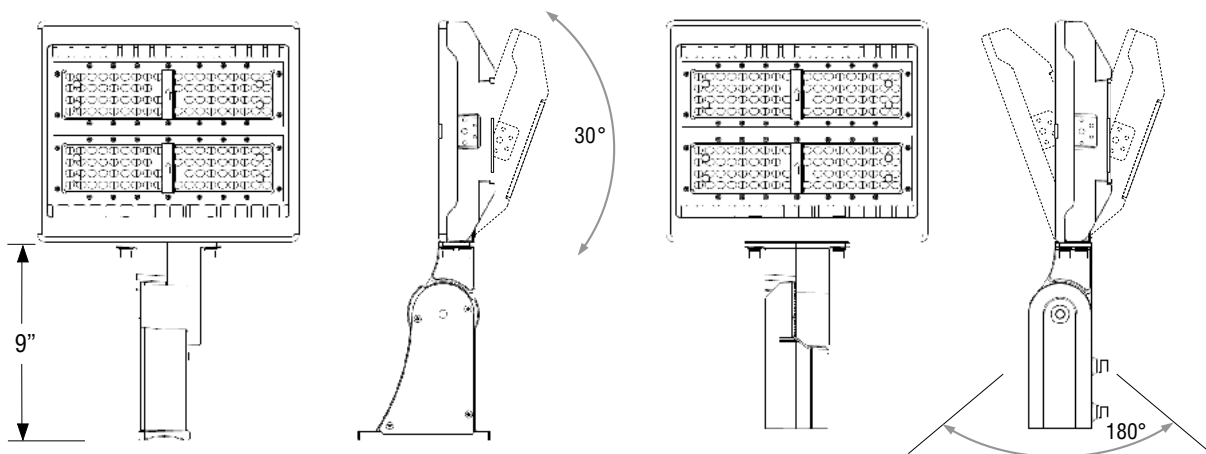
Yoke Mount



Trunnion Mount



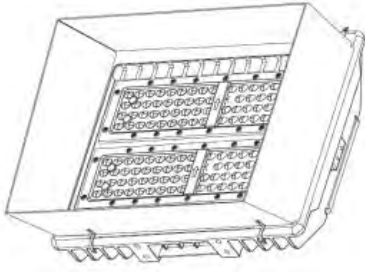
Slip Fitter Mount



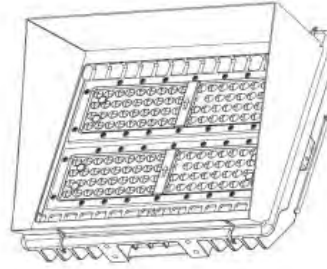


LED High Performance Flood PFL (12L & 16L)

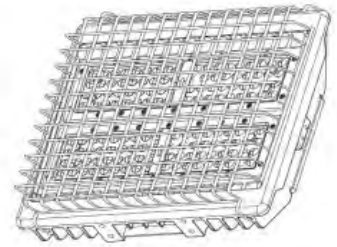
PRODUCT DIMENSIONS



Full Shield



Half Shield



Wire Guard

