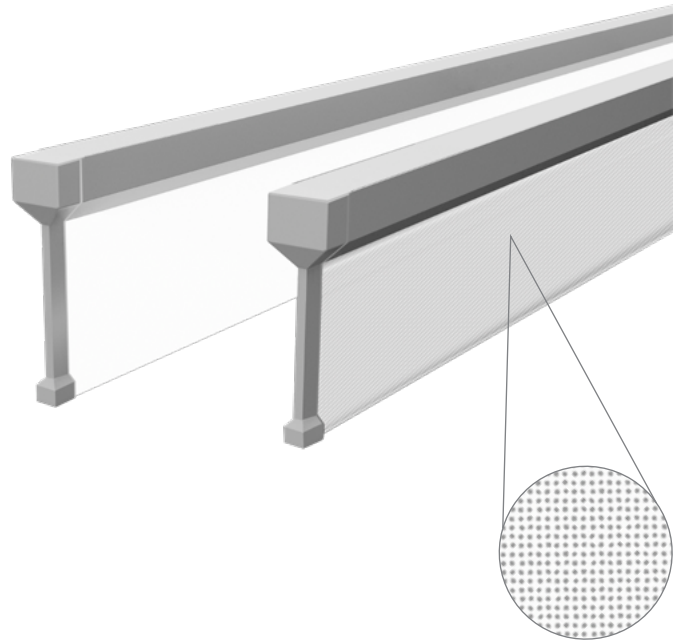




Clarity® (CLRM)

Architectural LED Linear



OVERVIEW		
Lumen Output Range (lm)	2,050-4,600	
Form Factors (ft.)	2,4	
Wattage (W)	20-40	
Efficacy Range (LPW)	111-122	
Fixture Weights lbs (kg)	2ft. 4ft.	7 (3.2) 12 (5.5)

QUICK LINKS

[Ordering Guide](#)[Performance](#)[Photometrics](#)[Dimensions](#)

FEATURES & SPECIFICATIONS

Construction

- 2ft. and 4ft. form factors
- Cold-rolled sheet metal 22 gauge
- Post-painted for high quality finish
- Operating temperature: 32°F to +95°F (0°C to 35°C)
- Vertical laser-etched light guide and diffuser

Optical System

- Edge-lit illumination combined with state of the art light guide technology
- Selectable brightness to suit a wide range of applications
- Selectable CCT for maximum flexibility
- Minimum color rendering index (CRI) of 90 for high visual acuity

Electrical

- High-performance driver features over-voltage, under-voltage, short-circuit and over-temperature protection.
- Selectable power to maximize energy savings
- 0-10V dimming (10% - 100%) standard.
- Standard Universal Voltage (120-277 VAC) Input 50/60 Hz
- L70 Calculated Life: >60k hours (See Lumen Maintenance on Page 5)
- Power factor: > 0.90
- Total harmonic distortion: <20%

Installation

- Surface, suspended or wall mounting
- Recessed grid mounting using accessory kit
- See the accessory ordering guide for additional detail

Warranty

- LSI luminaires carry a 5-year limited warranty. Refer to <https://www.lsicorp.com/resources/terms-conditions-warranty/> for more information.
- 1 Year warranty on optional Battery Backup. Test regularly in accordance with local codes.

Listings

- Listed to UL 1598 and UL 8750.
- Suitable for damp locations.





Clarity Architectural Linear

ORDERING GUIDE

[Back to Quick Links](#)TYPICAL ORDER EXAMPLE: **CLRM4 FS1 UNV**

Prefix	Light Output Per Foot	CCT	Voltage	Sensing & Control	Options ¹
CLRM2	10L - 1000lm/ft	CS1 (3000/35000/4000K, 90 CRI)	UNV - 120-277VAC	Blank- No sensor See Accessory Ordering Table	Blank - No options See Accessory Ordering Table
CLRM4	FS1 - 500-750-1000lm/ft 3000-35000-4000K, 90 CRI				

Accessory Ordering Information (Accessories are field installed)

Item#	Description 1	Description 2
784205	PDCMK CLRM	Cable suspension mount kit CLRM
784206	SWMK CLRM	Surface/Wall mount kit CLRM
782898	GCMK 15/16 FLAT GRID	15/16" flat T-grid mounting kit
782899	GCMK 9/16 FLAT GRID	9/16" flat T-grid mounting kit
782900	GCMK 15/16 SLOT GRID	15/16" slot T-grid mounting kit
782901	GCMK 9/16 SLOT GRID	9/16" slot T-grid mounting kit
778196	EM8RB	8W Remote Mount Battery Pack
755249	ALBC 5A	5A Circuit controller
755248	ALBCM DHS	Air Link Blue Daylight Harvesting Sensor

FOOTNOTES:

- White finish standard. Contact factory for custom colors.
- Mounting kit must be ordered separately depending on application. Not included with luminaire.

For information on AirLink Blue controls, please visit

<https://www.lsicorp.com/product/airlink-blue/>

PERFORMANCE

[Back to Quick Links](#)

DELIVERED LUMENS*							
Lumen Package	Wattage	3000K CCT		3500K CCT		4000K CCT	
		Lumens	Efficacy	Lumens	Efficacy	Lumens	Efficacy
CLRM2	20	2,039	102	2,215	115	2,206	111
CLRM4	20	2,198	110	2,397	120	2,381	122
	30	3,247	108	3,542	118	3,517	119
	40	4,243	104	4,630	117	4,596	113

*LEDs are frequently updated therefore values are nominal.

ELECTRICAL DATA (AMPS)*					
Lumens	Wattage	120V	208V	240V	277V
CLRM2	20	0.17	0.10	0.08	0.07
CLRM4	20	0.17	0.10	0.08	0.07
	30	0.25	0.14	0.13	0.11
	40	0.33	0.19	0.17	0.14

*Electrical data at 25C (77F). Actual wattage may differ by +/-10%.

LUMEN MAINTENANCE ¹					
Ambient Temp		Lumen Multiplier			
C	0 hrs. ²	25K hrs. ²	50K hrs. ²	75K hrs. ³	100K hrs. ³
0 C	100%	94%	88%	82%	77%
10 C	100%	94%	88%	82%	77%
20 C	100%	94%	88%	82%	77%
25 C	100%	94%	88%	82%	77%
35 C	100%	94%	88%	82%	77%

1 - Lumen maintenance values at 25°C are calculated per TM-21 based on LM-80 data and in-situ luminaire testing.

2 - In accordance with IESNA TM-21-11, Projected Values represent interpolated value based on time durations that are within six times (6X) the IESNA LM-80-08 total test duration (in hours) for the device under testing ((DUT) i.e. the packaged LED chip).

3 - In accordance with IESNA TM-21-11, Calculated Values represent time durations that exceed six times NA LM-80-08 total test duration (in hours) for the device under testing ((DUT) i.e. the packaged LED chip).

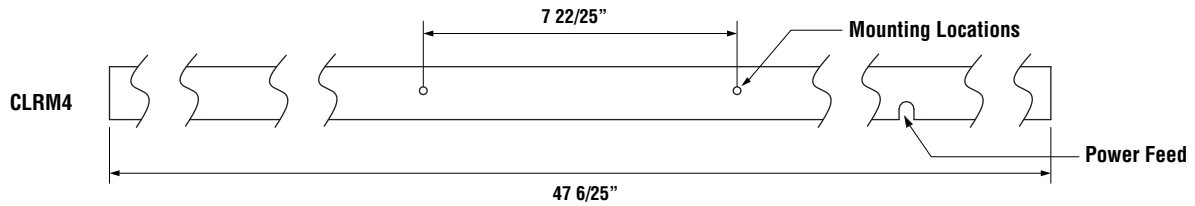
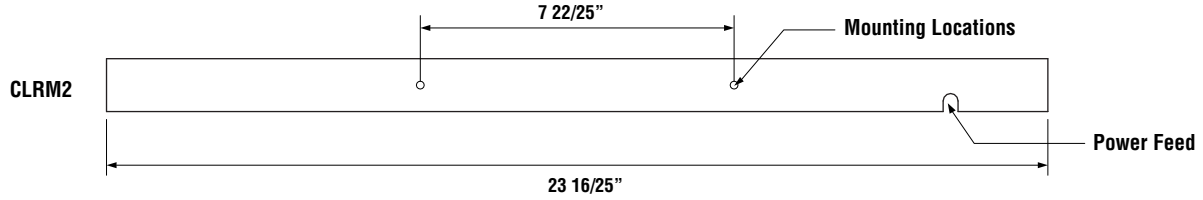
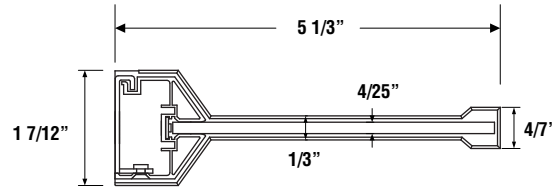




Clarity Architectural Linear

PRODUCT DIMENSIONS

[Back to Quick Links](#)



PHOTOMETRICS

Luminaire photometry has been conducted by an accredited laboratory in accordance with IESNA LM-79. As specified by IESNA LM-79 the entire luminaire is tested as the source resulting in a luminaire efficiency of 100%.

CLRM4-FS1-UNV-40W-3500K

ZONAL LUMEN SUMMARY		
Zone	Lumens	%Fixt
0-20	140.1	3.0
0-30	379.6	8.2
0-40	729.5	15.8
0-60	1,588.1	34.3
0-80	2,438.9	52.7
0-90	2,820.5	60.9
10-90	2,794.8	60.4
20-40	589.4	12.7
20-50	1,005.9	21.7
40-70	1,295.9	28.0
60-80	850.8	18.4
70-80	413.5	8.9
80-90	381.6	8.2
90-110	699.3	15.1
90-120	1,024.8	22.1
90-130	1,312.5	28.3
90-150	1,706.9	36.9
90-180	1,809.8	39.1
110-180	1,110.5	24.0
0-180	4,630.3	100.0

