

SMOKE & CO COMBO ALARM

PHOTOELECTRIC

BRK®

THE PROFESSIONAL STANDARD

CAT. **PRC700B**

3V (two 1.5V AA) Alkaline Battery Powered



Description:

LOW PROFILE DESIGN

Sleek, contemporary design blends into any décor.

BRK PRC700B (model PC1200) is a battery operated single station photoelectric smoke and carbon monoxide combination alarm specifically designed for residential and institutional applications including sleeping rooms of hospitals, hotels, motels, dormitories, and other multifamily dwellings as defined in standard NFPA 101. BRK PRC700B has been fully tested and complies with, UL217, UL2034, CSFM, NFPA 72, NFPA 720, NFPA 101 and other agencies that model their codes after the above agencies. It meets building codes where battery operated photoelectric smoke and carbon monoxide combination alarms are required and with model building codes published by the ICC.

ELECTROCHEMICAL CO SENSOR

Most accurate technology available for detecting carbon monoxide as compared to other sensing technologies.

BRK PRC700B is a state of the art smoke and CO combination alarm designed to provide early warning of a fire or carbon monoxide danger. It features a photoelectric smoke sensing chamber and an electrochemical CO sensor. Two AA alkaline batteries power supply, 10 Year CO sensor, 10 Year End of Life feature and single button test/silence. This alarm has two silence features. Low Battery Silence: Temporarily silence the low battery chirp for up to eight hours. Alarm Silence: Silence alarm for several minutes. It also features a tamper resistant locking pin that locks the alarm to the mounting bracket to prevent removal of batteries or alarm. Designed for wall or ceiling mounting. Includes mounting anchors and screws.

PHOTOELECTRIC

Photoelectric technology is generally more sensitive at detecting large particles, which tend to be produced in greater amounts by smoldering fires.

10 YEAR END OF LIFE

10 Year CO Sensor and end of life. Provides audible notice when alarm needs to be replaced. (Note: Batteries do not last 10 years and are not tamper proof. Use PRC710B for these features.)

SILENCE FEATURE

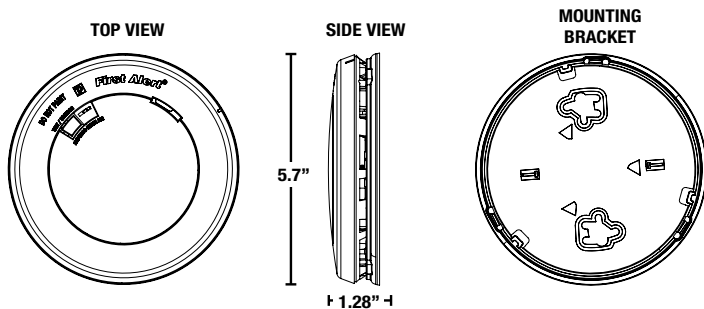
Silences nuisance alarms.

TAMPER RESISTANT

Locks alarm to mounting bracket to prevent removal of battery and/or alarm. Perfect for apartment, dormitory or hotel applications.



CAT. PRC700B



ARCHITECTURAL AND ENGINEERING SPEC

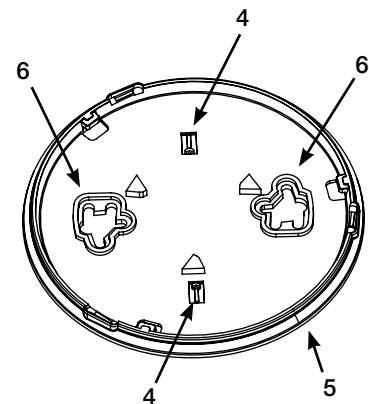
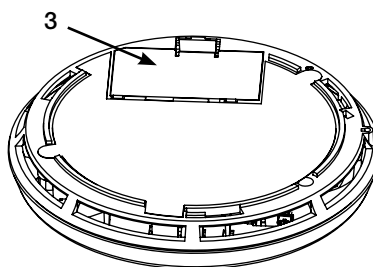
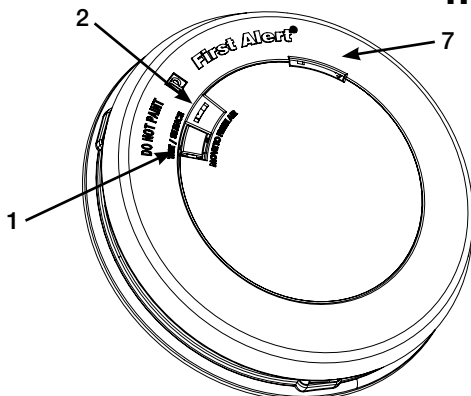
The smoke and CO combination alarm shall be a BRK Model PC1200 (cat. no. PRC700B) and shall provide at a minimum the following features and functions:

1. A Photoelectric smoke sensing chamber and an electrochemical CO sensor.
2. The unit shall have an "10 Year End of Life" signal. This signal should be capable of temporarily being silenced for up to 2 days. After about 2 days, the signal will resume. After about 2-3 weeks the signal cannot be silenced.
3. Fully screened smoke sensing chamber to resist entry of small insects thereby reducing the probability of unwanted alarms and be capable of self restoring.
4. Powered by replaceable 2 AA alkaline batteries and a solid state piezo horn rated at 85dB at 10 ft.
5. A visual LED power-on indicator to confirm unit is receiving power or is alarm.
6. A full function test button should check all alarm functions by simulating a smoke and CO condition, causing the unit to alarm.
7. Two Silence features - Low Battery Silence: Silence low battery chirp for up to 8 hours. Alarm Silence: Temporarily silence unwanted nuisance alarms.
8. Tamper resistant locking pin that locks alarm to mounting bracket to prevent removal of batteries.
9. The unit shall be capable of operating between 40°F (4°C) and 100°F (38°C) and relative humidity between 10% and 95%.
10. The unit shall contain mounting hardware and shall be listed for wall or ceiling mounting.
11. The unit shall at a minimum meet the requirements of UL217, UL2034, CSFM, NFPA 72, NFPA 720, NFPA 101, ICC

INSTALLATION OF ALARM

Installation of this alarm must conform to NFPA 72 and 720. Always check your local building codes. Follow all instructions for placement as outlined in the user's manual in sections titled "Recommended Locations for Smoke Alarms" and "Locations to Avoid for Smoke Alarms".

THE PARTS OF THIS ALARM



- | | |
|-------------------------------------|---------------------|
| 1. Test/Silence button | 5. Mounting bracket |
| 2. LED alarm light | 6. Mounting Slots |
| 3. Install AA batteries here | 7. Horn |
| 4. Locking tab slot (Break out Tab) | |

TECHNICAL SPECS

Alarm Dimensions:	5.7" Dia. x 1.28"H
Weight:	7.5 oz
Operating Voltage:	3V Battery Powered (2 AA Alkaline)
Temperature Range:	40°F (4°C) to 100°F (38°C)
Humidity Range:	10% to 95% relative humidity (RH)
Audio Alarm:	85dB at 10 feet
Test/Silence:	Electronically simulates smoke and CO conditions, causing the unit to alarm. Press and hold test/silence button.
Alarm Reset:	Automatic when smoke clears
Smoke Sensor:	Photoelectric
CO Sensor:	Electrochemical
Indicator Lights/Sounds:	
DC Power:	Intermittent Green LED
Local Alarm:	Audio alarm and rapidly flashing Red LED
Listing:	Listed to UL217 and UL2034 Standards

SHIPPING SPECS

Individual Carton Dimensions	5.75 "L x 1.38"D x 5.75"H
Weight	0.57 lbs.
Cube	0.03 ft3
UPC	0 29054 01497 9
Master Carton Dimensions	8.88 "L x 6.06"W x 6.31"H
Master Pack	6
Weight	3.8 lbs.
Cube:	0.20 ft3
I2of5:	600 29054 01497 1
Pallet Information	
Cases per Layer	32
Number of Layers:	8
Cases per Pallet:	256
Units per Pallet:	1,536
Cube:	55.8 ft3
Weight:	1,035 lbs.



©2014 BRK Brands, Inc. a Jarden Corporation Company (NYSE: JAH)
3901 Liberty Street Road
Aurora, IL 60504-8122
All rights reserved

First Alert is a registered trademark of the First Alert Trust
BRK is a registered trademark of BRK Brands, Inc.
CM3206