

SMOKE ALARM

PHOTOELECTRIC

BRK[®]

THE PROFESSIONAL STANDARD

CAT. **PR700 Series**



LOW PROFILE DESIGN

Sleek, contemporary design blends into any décor.

PHOTOELECTRIC

Photoelectric technology is generally more sensitive at detecting large particles, which tend to be produced in greater amounts by smoldering fires.

SILENCE FEATURE

Silences nuisance alarms.

TAMPER RESISTANT

Locks alarm to mounting bracket to prevent removal of battery and/or alarm. Perfect for apartment, dormitory or hotel applications.

9V BATTERY INCLUDED

Available in the following versions:

PR700B *Silence with Carbon Zinc Battery*

PR700AB *Silence with Alkaline Battery*

PR700LB *Silence with Lithium Battery*

9V Battery Powered

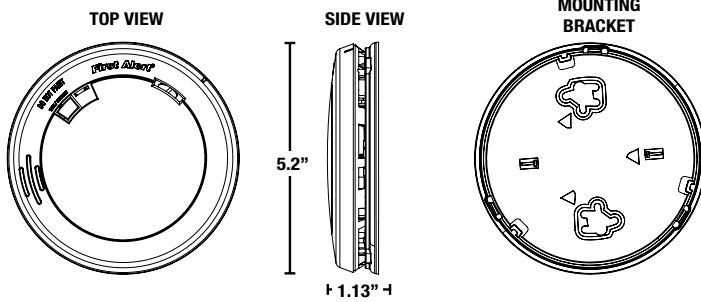
Description:

BRK PR700 (model P1200) is a single station smoke alarm specifically designed for residential and institutional applications including sleeping rooms of hospitals, hotels, motels, dormitories, and other multifamily dwellings as defined in standard NFPA 101. BRK PR700 has been fully tested and complies with, UL217, CSFM, NFPA 72, and NFPA 101 and other agencies that model their codes after the above agencies. It meets building codes where battery operated smoke alarms with silence are required and with model building codes published by the ICC.

BRK PR700 is a state of the art smoke alarm designed to provide early warning of a fire. It features a fully insect screened Photoelectric smoke sensing chamber, an 85dB horn, a supervised 9V battery power supply, a full function test switch, a silence feature to silence unwanted nuisance alarms, a red LED light that indicates DC power or alarm. It also features a tamper resistant locking pin that locks alarm to the mounting bracket to prevent removal of battery or alarm. Perfect for apartment, dormitory or hotel applications. The sleek, low profile design complements any décor. When voltage drops to a pre-set warning level, the horn will "chirp" approximately once per minute to indicate a fresh battery is needed. Designed for wall or ceiling mounting. Includes mounting anchors and screws.



CAT. PR700 Series



ARCHITECTURAL AND ENGINEERING SPEC

The smoke alarm shall be a BRK Model P1200 (cat. no. PR700) and shall provide at a minimum the following features and functions:

1. A photoelectric smoke sensing chamber.
2. The unit shall be capable of self restoring.
3. A fully screened sensing chamber to resist entry of small insects thereby reducing the probability of unwanted alarms.
4. Powered by a replaceable 9V battery and a solid state piezo horn rated at 85dB at 10 ft.
5. A visual LED power-on indicator to confirm unit is receiving power or is in alarm.
6. A full function test button. The test button should check all alarm functions by stimulating the chamber to simulate a smoke condition, causing the unit to alarm. Model P1200 also has a silence feature to silence unwanted nuisance alarms.
7. A tamper resistant locking pin that locks alarm to the mounting bracket to prevent removal of battery.
8. The unit shall be capable of operating between 40°F (4°C) and 100°F (38°C) and relative humidity between 10% and 90%.
9. The unit shall contain mounting hardware and shall be listed for wall or ceiling mounting.
10. The unit shall at a minimum meet the requirements of UL217, CSFM, NFPA 72, NFPA 101, ICC.

TECHNICAL SPECS

Alarm Dimensions:	5.2" Dia. x 1.13"H
Weight:	6.0 oz
Operating Voltage:	9V Battery Powered
Temperature Range:	40°F (4°C) to 100°F (38°C)
Humidity Range:	10% to 95% relative humidity (RH)
Audio Alarm:	85dB at 10 feet
Test/Silence:	Electronically simulates smoke condition, causing the unit to alarm. Press and hold test/silence button.
Alarm Reset:	Automatic when smoke clears
Smoke Sensor:	Photoelectric
Indicator Lights/Sounds:	
DC Power:	Intermittent Red LED
Local Alarm:	Audio alarm and rapidly flashing Red LED
Listing:	Listed to UL217 Standard

SHIPPING SPECS

Individual Carton Dimensions	5.31 "L x 1.38"D x 5.31"H
Weight	0.46 lbs.
Cube	0.02 ft3
UPC	PR700B: 0 29054 01444 3 PR700AB: 0 29054 01495 5 PR700LB: 0 29054 01496 2
Master Carton Dimensions	8.88 "L x 5.63"W x 5.88"H
Master Pack	6
Weight	3.2 lbs.
Cube:	0.17 ft3
I2of5:	PR700B: 500 29054 01444 8 PR700AB: 600 29054 01495 7 PR700LB: 600 29054 01496 4

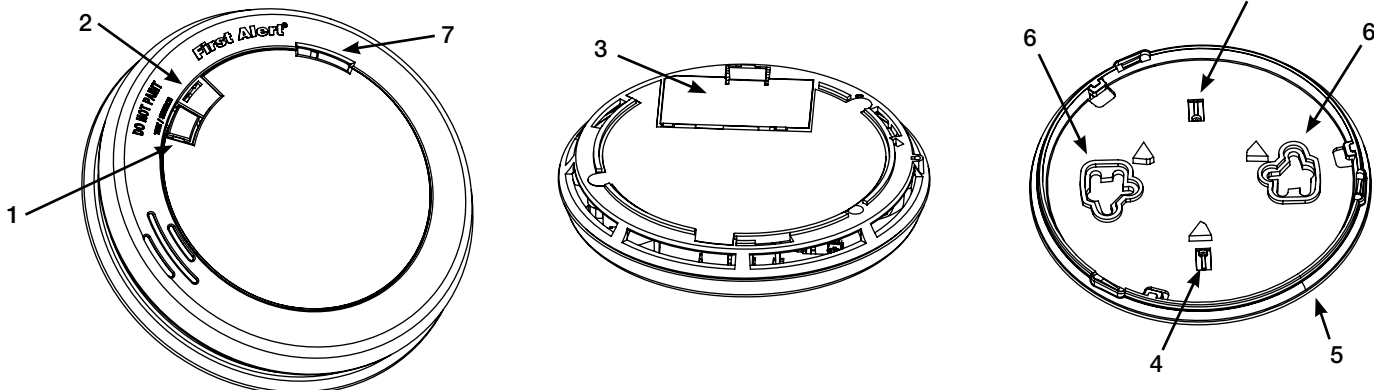
Pallet Information

Cases per Layer	36
Number of Layers:	8
Cases per Pallet:	288
Units per Pallet:	1,728
Cube:	55.4 ft3
Weight:	972 lbs.

INSTALLATION OF ALARM

Installation of this smoke alarm must conform to NFPA 72. Always check your local building codes. Follow all instructions for placement as outlined in the user's manual in sections titled "Recommended Locations for Smoke Alarms" and "Locations to Avoid for Smoke Alarms".

THE PARTS OF THIS ALARM



- | | |
|-------------------------------------|---------------------|
| 1. Test/Silence button | 5. Mounting bracket |
| 2. LED alarm light | 6. Mounting Slots |
| 3. Install 9V battery here | 7. Horn |
| 4. Locking tab slot (Break out Tab) | |



©2014 BRK Brands, Inc. a Jarden Corporation Company (NYSE: JAH)
3901 Liberty Street Road
Aurora, IL 60504-8122
All rights reserved

First Alert is a registered trademark of the First Alert Trust
BRK is a registered trademark of BRK Brands, Inc.
CM3205