

# SMOKE ALARM

10-YEAR SEALED

# BRK<sup>®</sup>

THE PROFESSIONAL STANDARD

CAT. **P1010**



## MICRO DESIGN

Sleek, contemporary design blends into any décor.

## 10-YEAR LITHIUM POWER

10 years of continuous protection under normal operating conditions. No battery change required. Provides audible notice when alarm has reached its end of life.

## TAMPERPROOF SEALED ALARM

Powercell cannot be removed.

## PHOTOELECTRIC

Photoelectric technology is generally more sensitive at detecting large particles, which tend to be produced in greater amounts by smoldering fires.

## SILENCE FEATURE

Silences nuisance alarms.

## Sealed 3V Lithium Power

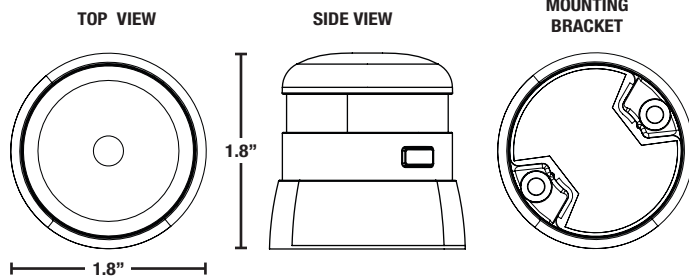
### Description:

First Alert P1010 is a 3V lithium power single station smoke alarm specifically designed for residential and institutional applications including sleeping rooms of hospitals, hotels, motels, dormitories, and other multifamily dwellings as defined in standard NFPA 101. First Alert P1010 has been fully tested and complies with, UL217, CSFM, NFPA 72, HUD and NFPA 101 and other agencies that model their codes after the above agencies. It meets building codes where tamperproof 10-year sealed lithium battery operated photoelectric smoke alarms are required and with model building codes published by the ICC.

First Alert P1010 is a state of the art photoelectric micro smoke alarm designed to provide early warning of a fire. It features a fully insect screened Photoelectric smoke sensing chamber, an 85dB horn, a sealed 10-year lithium power cell power supply that is permanently installed, a full function test switch, a silence feature to silence unwanted nuisance alarms, an LED light that indicates DC power or alarm. The tamperproof design will not allow the powercell to be removed. The low power warning indicator will cause the alarm to “chirp” when it reaches the end of its service life and needs to be replaced. Upon end of life, the unit meets UL requirements for disabling the alarm and non-reinstallation of unit to mounting bracket. The sleek, micro design complements any décor. Designed for wall or ceiling mounting. Includes mounting anchors and screws.



# CAT. P1010



## ARCHITECTURAL AND ENGINEERING SPEC

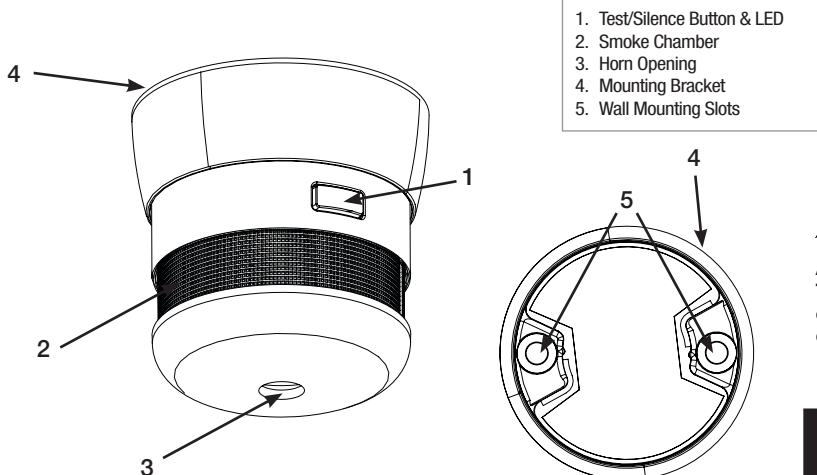
The smoke alarm shall be a BRK/First Alert Model P1010 and shall provide at a minimum the following features and functions:

1. A photoelectric smoke sensing chamber.
2. A micro design
3. The unit shall be capable of self restoring.
4. A fully screened sensing chamber to resist entry of small insects thereby reducing the probability of unwanted alarms.
5. Powered by a sealed 10-year lithium powercell with a tamperproof design. The tamperproof design shall not allow the powercell to be removed. A low power warning indicator shall cause the alarm to “chirp” when it reaches the end of its service life and needs to be replaced. Upon end of life, the unit shall meet UL requirements for disabling the alarm and the non-reinstallation of unit to mounting bracket.
6. A visual LED power-on indicator to confirm unit is receiving power or is in alarm.
7. A full function test button. The test button should check all alarm functions by stimulating the chamber to simulate a smoke condition, causing the unit to alarm. The unit should also have a silence feature to silence unwanted nuisance alarms.
8. The unit shall be capable of operating between 40°F (4°C) and 100°F (38°C) and relative humidity between 10% and 95%.
9. The unit shall contain mounting hardware and shall be listed for wall or ceiling mounting.
10. The unit shall at a minimum meet the requirements of UL217, CSFM, NFPA 72, NFPA 101, ICC.

## INSTALLATION OF ALARM

Installation of this smoke alarm must conform to NFPA 72. Always check your local building codes. Follow all instructions for placement as outlined in the user’s manual in sections titled “Recommended Locations for Smoke Alarms” and “Locations to Avoid for Smoke Alarms”.

### THE PARTS OF THIS ALARM

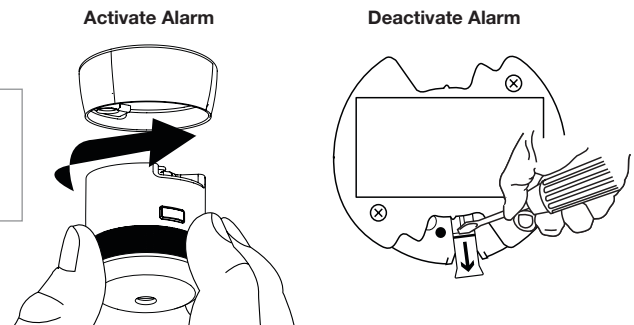


## TECHNICAL SPECS

Alarm Dimensions:	1.8" Dia. x 1.8"H
Weight:	2.0 oz
Operating Voltage:	3V Lithium Power Cell
Temperature Range:	40°F (4°C) to 100°F (38°C)
Humidity Range:	10% to 95% relative humidity (RH)
Audio Alarm:	85dB at 10 feet
Test/Silence:	Electronically simulates smoke condition, causing the unit to alarm. Press and hold test/silence button.
Alarm Reset:	Automatic when smoke clears
Smoke Sensor:	Photoelectric
Indicator Lights/Sounds:	
DC Power:	Intermittent Red LED
Local Alarm:	Audio alarm and rapidly flashing Red LED
Listing:	Listed to UL217 Standard

## SHIPPING SPECS

Individual Clamshell Dimensions	6.875"W x 2.38"D x 8.44"H
Weight	0.43 lbs.
Cube	0.02 ft3
UPC	0 29054 01196 1
Master Carton Dimensions	7.06 "L x 5.06"W x 9.25"H
Master Pack	3
Weight	0.93 lbs.
Cube:	0.19 ft3
I2of5:	400 29054 01196 9
Pallet Information	
Cases per Layer	48
Number of Layers:	5
Cases per Pallet:	240
Units per Pallet:	720
Cube:	52.7 ft3
Weight:	287 lbs.



**Activating the Alarm.** Insert in mounting bracket and rotate clockwise.  
**To permanently deactivate the Alarm.** Slide the deactivation tab located on the base of the alarm outward until it stops as shown. NOTE: Once deactivated it cannot be reactivated.



©2015 BRK Brands, Inc. a Jarden Corporation  
 Company (NYSE: JAH)  
 3901 Liberty Street Road  
 Aurora, IL 60504-8122  
 All rights reserved

First Alert is a registered trademark of the First Alert Trust  
 BRK is a registered trademark of BRK Brands, Inc.  
 CM3255