

INSTALLATION GUIDE

▲ PLEASE READ ALL INSTRUCTIONS BEFORE ATTEMPTING INSTALLATION

- Turn power off before inspection, installation or removal.
- The installation should be performed by qualified electricians or lighting technicians.
- Before conducting any installation, maintenance, or removal, disable all power to the luminaires and wait until the fixture cool down.
- Do not touch the fixture while it is in service.
- If there is any problem with the fixture, DO turn off power and DO NOT attempt repair unless you are a qualified technician or the customer service member.
- This luminaire is designed to operate in ambient temperatures ranging from -40°F + 113°F and to be horizontally mounted with the fixture facing down.
- This product is not available for several special environments, such as places with corrosive gas liquids or high pressure water vapor.

Wall Mounting (Figure 1)

1. Place mounting section of fixture onto desired mounting surface, mark and drill holes for mounting.
2. Mount the fixture with bolts provided. Install the two bottom screws first. Place the fixture on the two bottom screws and install the top screw. Tighten the top screw first and then tighten the remaining screws.
3. Make wiring connections in the fixture. (White to Neutral lead, Black to Line lead, Yellow Green to Ground lead)
4. Put the cord protection bracket back on the fixture and fix it with screws provided.
5. Installation is completed.

Mast Arm Mounting (Figure 2)

1. Feed supply wires through arm and make wiring connections. (White to Neutral lead, Black to Line lead, Yellow Green to Ground lead)
2. Secure the fixture on the arm with fitter clamp and screws provided
3. Attach the fixture over the mounting bracket and tighten the set screws provided
4. Check that fixture is firmly attached to mounting surface
5. Installation is completed.

Figure 1

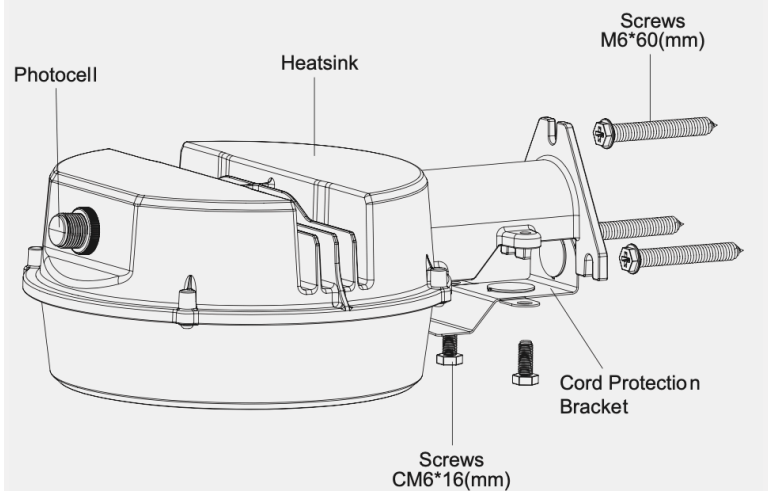


Figure 2

