



DECO | LIGHTING

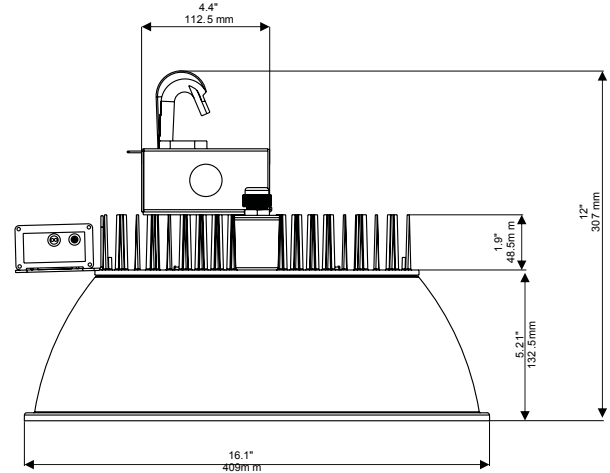
# TORPEDO-LED

## LED High Bay



### Job Information

Type:	
Catalog #:	
Project:	
Comments:	
Prepared by:	



### Description

Deco Lighting delivers exceptional performance with the Torpedo Series LED Low-Bay/High-Bay luminaire. Featuring 18,000 median and 26,000 median lumens of illumination performance, this durable fixture allows one-for-one replacement of 400W and 1000W HID and multi-lamp fluorescent fixtures. The Torpedo offers exceptional rated lifetimes, zero re-strike time, and a compact lightweight construction, trumping alternative options and significantly reducing energy costs and relamp maintenance costs.

### Ordering Information

Example: (TORPEDO-LED-160-40-UNV-EM)

TORPEDO-LED

Series	Wattage	Color Temp.	Voltage	Options	
Indoor LED High Bay	160	30	UNV 120-277V	<b>[BLANK]</b> Aluminum Reflector <b>AC</b> Acrylic Prismatic Reflector  *If no lens option is selected, fixture includes the default White Aluminum Reflector Hood (WAR)	
	215	35			<b>MS</b> Motion Sensor
		40			<b>EM</b> Emergency Battery
		50			<b>WG</b> Wire Guard <sup>2</sup>
				<b>PT6</b> 6' Pre-Wired Cord	
				<b>CFL</b> Clear Tempered Glass	
				<b>DA</b> Drop Acrylic Lens	

<sup>1</sup> DLC listed (Please reference DLC matrix on Page 3)  
<sup>2</sup> Wire Guard option is not available with the Drop Acrylic Lens



Deco Lighting practices a program of continuous product development, and as a result product specifications change frequently. We reserve the right to change product specifications without notice. Contact Deco for the latest product information.

©2016 Deco Lighting, www.getdeco.com T: (800) 613-DECO F: (310) 366-6855  
 Rev Date: 12/1/16 #3

Digitize your light.®

### Features

- Superior heavy duty-die cast aluminum construction.
- White aluminum reflector hood included by default
- 0-10V Dimming Standard
- Quick connector cable available
- UL and CUL listed for damp locations, IP65
- Easy maintenance.
- Shipping Weight: 17 lbs.
- 85 CRI at 4000K
- Operating Temperature Ranges:
  - 40°C - +50°C (-40°F - +122°F) for 18,000 lumen package;
  - 40°C - +40°C (-40°F - +104°F) for 24,000 lumen package;
  - WARNING: Exceeding maximum operating temperature may result in thermal fold-back
- If Emergency Battery is selected, then driver and battery must be remote mounted. If it is remote mounted, it cannot be mounted more than 15 feet away.
- PT5: 5' Pre-Wired cord is standard

### Lumen Chart

Lumen Chart				
Wattage	5000K	4000K	3500K	3000K
160 <i>(White Aluminum Reflector)</i>	17929	17838	16181	15372
215 <i>(White Aluminum Reflector)</i>	26433	26278	23856	22663
160 <i>(Acrylic Prismatic Reflector)</i>	19357	18389	17470	16550
215 <i>(Acrylic Prismatic Reflector)</i>	26763	25425	24154	22882

### Projected Torpedo LED Lumen Maintenance<sup>1</sup>

Ambient Temp	Reflector	Initial LMF	25K Hour Projected <sup>2</sup> LMF	50K Hour Projected <sup>2</sup> LMF	75K Hour Projected <sup>3</sup> LMF	100K Hour Projected <sup>3</sup> LMF
0°C (32°F)	All	1.06	0.98	0.92	0.86	0.81
5°C (41°F)	All	1.05	0.97	0.91	0.85	0.80
10°C (50°F)	All	1.04	0.96	0.90	0.85	0.79
15°C (59°F)	All	1.03	0.95	0.89	0.84	0.79
20°C (68°F)	All	1.02	0.94	0.88	0.83	0.78
25°C (77°F)	All	1.01	0.93	0.88	0.82	0.77
30°C (86°F)	All	1.00	0.92	0.87	0.81	0.76
35°C (95°F)	All	0.99	0.91	0.86	0.81	0.76
40°C (104°F)	Aluminum	0.98	0.91	0.85	0.80	0.75
	Prismatic	0.98	0.81 <sup>3</sup>	0.69 <sup>3</sup>	0.58 <sup>3</sup>	0.49 <sup>3</sup>
45°C (113°F)	All	0.97	0.90	0.84	0.79	0.74
50°C (122°F)	All	0.96	0.89	0.83	0.78	0.73

<sup>1</sup> Lumen maintenance values at 25°C are calculated per TM-21 based on LM-80 data and in-situ luminaire testing

<sup>2</sup> In accordance with IESNA TM-21-11, Projected Values represent interpolated value based on time durations that are within six times (6X) the IESNA LM-80-08 total test duration (in hours) for the device under testing ((DUT) i.e. the packaged LED chip)

<sup>3</sup> In accordance with IESNA TM-21-11, Calculated Values represent time durations that exceed six times (6X) the IESNA LM-80-08 total test duration (in hours) for the device under testing ((DUT) i.e. the packaged LED chip)

### Lenses



### Delivered Light Output & Equivalency Chart

HID to LED Replacement		
DELIVERED LUMENS	HID	LED Replacement
1300lm	50W	10W
2600lm	70W	20W
3900lm	100W	30W
5200lm	150W	40W
7800lm	175W	60W
11700lm	250W	80W
15600lm	400W	120W
26000lm	750W	200W
31200lm	1000W	240W

Interested in upgrading from HID to LED lighting? Use the conversion table below to get a general idea of what wattage LED fixture will replace your current lighting system. Lumen output and overall performance will vary by fixture, so please contact our factory or your nearest sales rep regarding specific questions on what wattage will best suit your desired space and application.

### Options



### DLC Listing

	160W	215W
3000K		
3500K		
4000K	X	X
5000K	X	X