

LEDWPSN 40 — 120 Watt LED Wall Packs



Project:	
Type:	
Catalog #:	

STANDARD



LEDWPSN is a series of rugged, durable LED wall packs, which are perfect for outdoor perimeter and area lighting. With a die cast aluminum housing and a polycarbonate lens, the LEDWPSN will stand up to many years of punishing environmental conditions. High-efficacy, long-life LEDs provide both energy and maintenance cost savings compared to traditional, HID wall packs.

FEATURES

- Available in 3000k (warm white), 4000k (neutral white) and 5000k (cool white) color temperatures.
- Long-life LEDs provide 216,000 hours of operation with at least 70% of initial lumen output (L₇₀).
- LEDWP40SN provides 4,734 lumens & 115 lumens per watt (LPW) at 3000k; 4,751 lumens & 116 LPW at 4000k; or 4,817 lumens & 117 LPW at 5000k.*
- LEDWP60SN provides 6,983 lumens & 114 LPW at 3000k; or 7,052 lumens & 116 LPW at both 4000k and 5000k.*
- LEDWP80SN provides 9,768 lumens & 122 LPW at 3000k; or 9,885 lumens & 124 LPW at both 4000k and 5000k.*
- LEDWP100SN provides 11,967 lumens & 117 LPW at 3000k; 12,159 lumens & 119 LPW at 4000k; or 12,350 lumens & 121 LPW at 5000k.*
- LEDWP120SN provides 13,213 lumens & 119 LPW at 3000k; 13,589 lumens & 122 LPW at 4000k; or 13,966 lumens & 126 LPW at 5000k.*
- Uniform illumination with no visible LED pixilation.
- Universal 120-277 AC voltage (50-60Hz) is standard.
- Power factor > 0.90.
- Total harmonic distortion < 20%.
- Color rendering index > 80.
- Die cast aluminum housing with durable, dark bronze, powder coat paint.
- Polycarbonate lens with seamless, silicone gasket to prevent leaks. Polycarbonate has F1 rating to avoid discoloration.
- Internal bubble level facilitates level installation.
- Easy installation in new construction or retrofit.

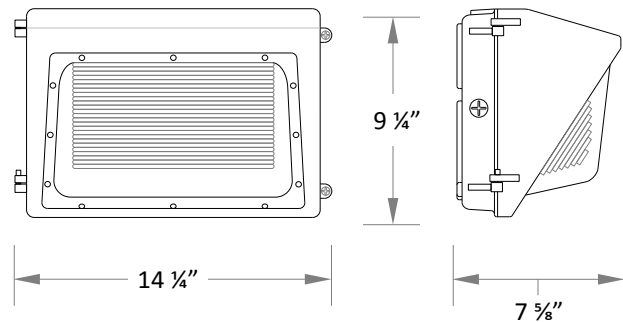
* Contact factory for other color temperatures and lumen packages.
 ** L₇₀ hours are IES TM-21-11 calculated hours.



WARRANTY & LISTINGS

- cULus listed for wet locations (-20°C to 45°C / -4°F to 113°F).
- IP65 rated.
- DLC standard approved.
- Complies with FCC Part 15 class B.
- Complies with EN61000-4-5, surge immunity (40W: 1.2kV; all others: 4kV).
- 5-year warranty on all electronics and housing.

DIMENSIONS



	40W	60W	80W	100W	120W
Weight (lbs.)	7.2	7.8	7.8	10.4	10.4

ORDERING INFORMATION

Model	Color Temperature	Luminaire Lumens	Luminaire Watts	Lumens Per Watt
LEDWP40SN	3K = 3000k	4,734	41	115
	4K = 4000k	4,751	41	116
	5K = 5000k	4,817	41	117
LEDWP60SN	3K = 3000k	6,983	61	114
	4K = 4000k	7,052	61	116
	5K = 5000k	7,052	61	116
LEDWP80SN	3K = 3000k	9,768	80	122
	4K = 4000k	9,885	80	124
	5K = 5000k	9,885	80	124
LEDWP100SN	3K = 3000k	11,967	102	117
	4K = 4000k	12,159	102	119
	5K = 5000k	12,350	102	121
LEDWP120SN	3K = 3000k	13,213	111	119
	4K = 4000k	13,589	111	122
	5K = 5000k	13,966	111	126

LEDWPSN 40 — 120 Watt LED Wall Packs



ELECTRICAL

Model	Color Temperature	CRI ¹	Luminaire Lumens	Luminaire Watts	Lumens Per Watt	Input Voltage ²	Input Current (A)			Power Factor	THD ³	L ₇₀ Hours ⁴
							120V	240V	277V			
LEDWP40SN	3000k	> 80	4,734	41	115	120-277	0.34	0.17	0.15	> 90%	< 20%	216,000
	4000k	> 80	4,751	41	116	120-277	0.34	0.17	0.15	> 90%	< 20%	216,000
	5000k	> 80	4,817	41	117	120-277	0.34	0.17	0.15	> 90%	< 20%	216,000
LEDWP60SN	3000k	> 80	6,983	61	114	120-277	0.51	0.25	0.22	> 90%	< 20%	216,000
	4000k	> 80	7,052	61	116	120-277	0.51	0.25	0.22	> 90%	< 20%	216,000
	5000k	> 80	7,052	61	116	120-277	0.51	0.25	0.22	> 90%	< 20%	216,000
LEDWP80SN	3000k	> 80	9,768	80	122	120-277	0.67	0.33	0.29	> 90%	< 20%	216,000
	4000k	> 80	9,885	80	124	120-277	0.67	0.33	0.29	> 90%	< 20%	216,000
	5000k	> 80	9,885	80	124	120-277	0.67	0.33	0.29	> 90%	< 20%	216,000
LEDWP100SN	3000k	> 80	11,967	102	117	120-277	0.85	0.43	0.37	> 90%	< 20%	216,000
	4000k	> 80	12,159	102	119	120-277	0.85	0.43	0.37	> 90%	< 20%	216,000
	5000k	> 80	12,350	102	121	120-277	0.85	0.43	0.37	> 90%	< 20%	216,000
LEDWP120SN	3000k	> 80	13,213	111	119	120-277	0.93	0.46	0.40	> 90%	< 20%	216,000
	4000k	> 80	13,589	111	122	120-277	0.93	0.46	0.40	> 90%	< 20%	216,000
	5000k	> 80	13,966	111	126	120-277	0.93	0.46	0.40	> 90%	< 20%	216,000

¹ Color rendering index.

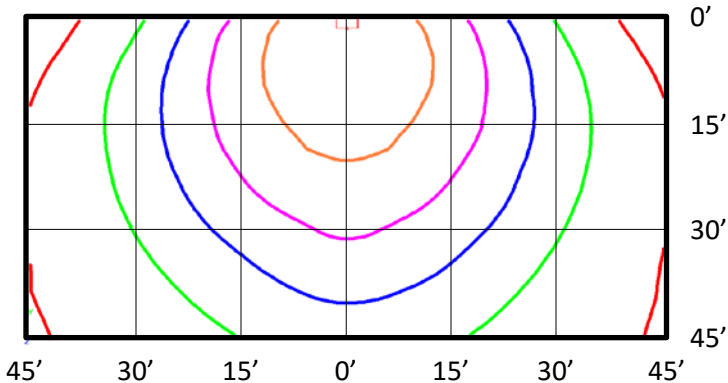
² All 50-60Hz.

³ Total harmonic distortion.

⁴ L₇₀ refers to the number of hours at which lumen output declines to 70% of the initial level. L₇₀ hours are IES TM-21-11 calculated hours.

PHOTOMETRIC DATA

LEDWP120SN-5K (13,966 Lumens)



BUG Rating: B1-U3-G3

Zone	Lumens	%
FL - Front - Low (0-30)	1,511	11%
FM - Front - Medium (30-60)	3,889	28%
FH - Front - High (60-80)	3,088	22%
FVH - Front - Very High (80-90)	1,284	9%
Total Forward Light	9,772	70%
BL - Back - Low (0-30)	764	5%
BM - Back - Medium (30-60)	766	5%
BH - Back - High (60-80)	196	1%
BVH - Back - Very High (80-90)	36	0%
Total Back Light	1,762	13%
UL - Up Light - Low (90-100)	1,024	7%
UH - Up Light - High (100-180)	1,408	10%
Total Up Light	2,432	17%
Total Lumens	13,966	100%

Notes:

- Isofootcandle plots depict initial footcandles at grade.
- Gridlines represent units of mounting height of 15 feet.

Foot Candles

- 5.0
- 2.0
- 1.0
- 0.5
- 0.2
- 0.1