

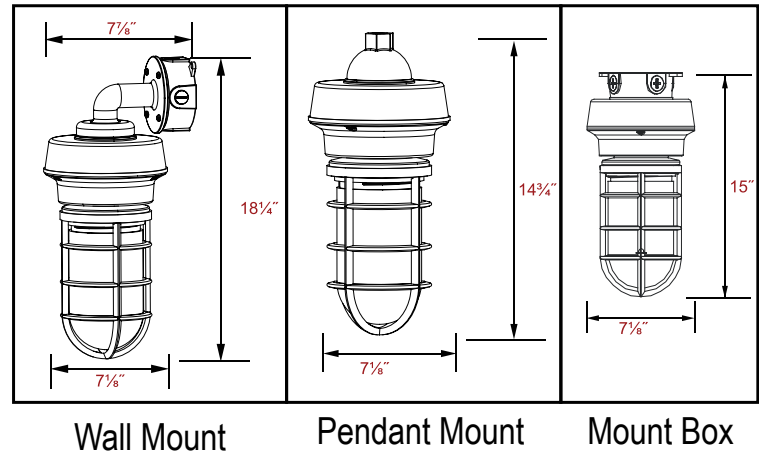
# DVTL-LED

## Vapor Proof LED



### Job Information

Type:	
Catalog #:	
Project:	
Comments:	
Prepared by:	



### Description

This rugged vapor-proof LED light is built to last. With industrial-grade rubber gaskets as sealants and automobile grade aluminum, this LED light is a beacon against Mother Nature. With a COB LED inside, it provides performance lighting while utilizing very little power. With a die-cast guard on the outside of the glass, it protects the high power LED from the elements. This fixture can be used in warehouse, docks, restaurants, and other exterior industrial areas.

### Features

- Efficacy: 95 LPW
- System Wattage: 12.5W
- CRI: 80+
- Operating Temp: -40°C to +40°C
- L70 - 150,000 Hours
- L80 - 92,000 Hours

### Ordering Information

Example: (DVTL-LED-13-50-UNV-W-DM)

DVTL-LED					
Series	Wattage/Lumen	Color Temp.	Voltage	Mounting	Option
Vapor Proof LED	13 13W/835 <sup>1</sup>	50 5000K	UNV 120-277V	W Wall P Pendant BM Mount Box	DM Dimming (0-10V) <sup>1</sup>

<sup>1</sup> Delivered Lumens