

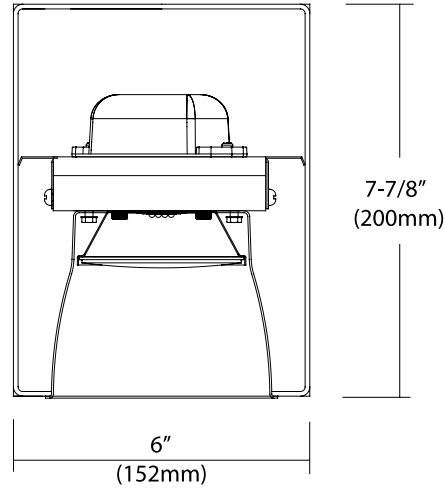
DLED-SR5

5" COB LED Surface Cylinders



Job Information

Type:	
Catalog #:	
Project:	
Comments:	
Prepared by:	



Description

5" aperture cylinder light, Provided in high efficacy LED with integral driver and the optical diffusion produces high lumen transmission and even illumination. Designed for long life operation.

Ordering Information

Example: (DLED-SR5-C-12-14-30-UNV-WH-DLEDT-R514-DM)

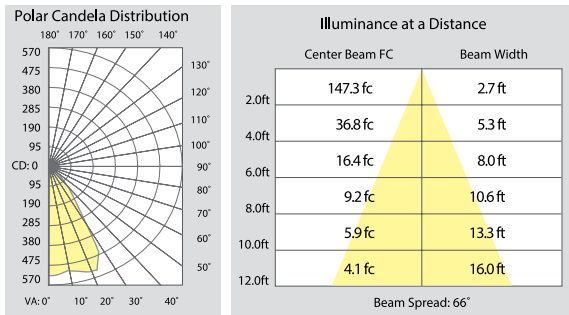
DLED-SR5									
Series	Mounting	Pendant Stem Length	Wattage/Lumens	Color Temp.	Voltage	Finish	Trim	Options	
5" COB LED Surface Cylinders	C	Ceiling Mount	12 12" 14 14W/960	30 3000K	UNV 120-277V ¹	WH White	See page 2	DM Dimmable ² EM Emergency	
	W	Wall Mount	18 18" 23 23W/1790	35 3500K		BK Black			
	P	Pendant Mount	24 24" 36 36" 48 48"	40 4000K		BZ Bronze SL Silver			

¹Triac 120V low voltage electronic dimmer switches
²0-10V dimmer switches

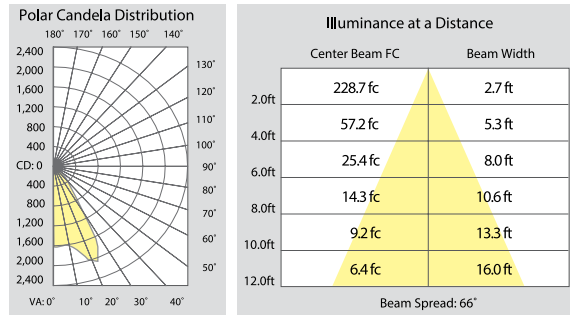
Features

- Durable aluminum extrusion heat sink intergrated with COB(chip on board).
- Inner reflector provide more light and beam distribution.
- Anodized haze clear, gold, champagne, pewter color finished full reflectors. Also available anodized reflectors with black.
- Round seamless .060 thick spun aluminum, housing available in semi-matte white, black or silver finish.
- Aluminum extruded Heat sink designed to facilitate heat dissipation to reduce LED junction temperature for maintaining constant light output, color and life of solid state components.
- Driver feature power factor > .90, THD >20% and has integral thermal protection to sense over temperature or internal failure.
- Driver mounts externally to the module, allowing future replacement, if needed.
- Consult with factory for optional 0~10V analog dimmable driver.
- Aluminum casted bracket secured to housing cross-bar by set screws.
- 50,000hr of lamp life.
- CSA Rated for wet and damp location.

Photometry



14W



23W

Trims



All trims are rated for damp location and regressed lens trims are wet location listed.