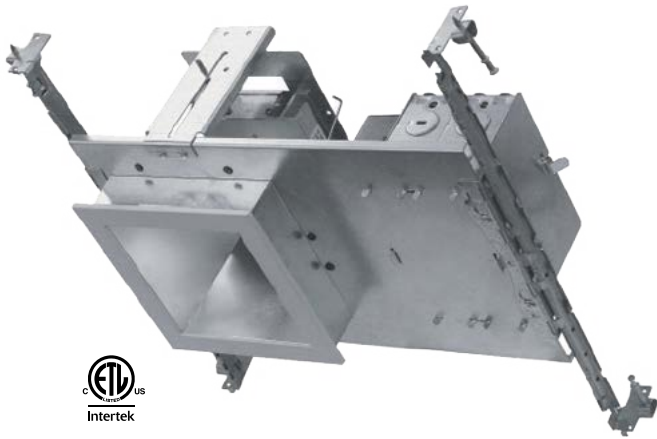




DECO® | LIGHTING

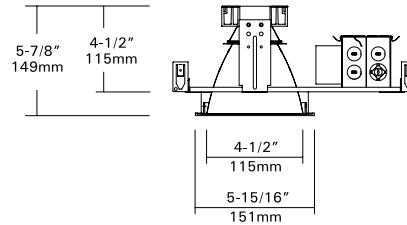
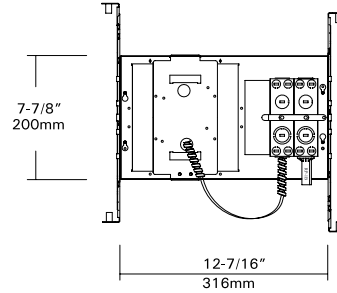
DLED-SQ

5" and 6" Square Architectural Downlight



Job Information

Type:	
Catalog #:	
Project:	
Comments:	
Prepared by:	



Ceiling Cut-out : 5-1/2" x 5-1/2" (140x140mm)

Description

Delivering up to 2500lm, the 5" and 6" Square Architectural Downlight is ideal for even, quality light distribution in spaces with high ceilings.

Ordering Information

Example: (DLED-SQ-5-16-40-DLEDT-614S-UNV-DM)

DLED-SQ

Series	Size	Wattage/Lumens	Color Temp.	Trim	Voltage	Options
Square Architectural Downlight	5 5"x5"	16 16W/952	30 3000K	See page 2	UNV 120-277V ¹	DM Dimmable ²
	6 6"x6"	23 23W/1536	35 3500K			EM Emergency
		30 30W/2066	40 4000K			

¹Triac 120V low voltage electronic dimmer switches
²0-10V dimmer switches

Deco Lighting practices a program of continuous product development, and as a result product specifications change frequently. We reserve the right to change product specifications without notice. Contact Deco for the latest product information.

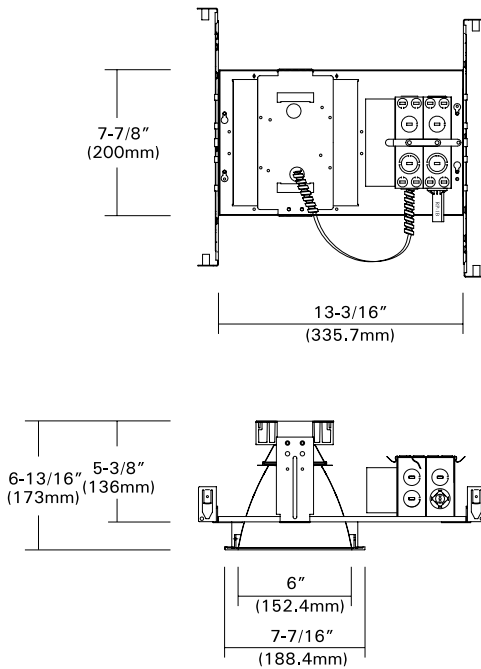
©2016 Deco Lighting, www.getdeco.com T: (800) 613-DECO F: (310) 366-6855
Rev Date: 8/03/16 #1

5" and 6" Square Architectural Downlight

Features

- 20 guage CRS black painted 5"x5" (or 6"x6") square aperture housing adjusts for ceilings up to 1-1/4" thick.
- Semi-matte diffuse lower reflectors under the upper reflector.
- 60 cut-off to light source.
- Trims for straight downlight with flood lens.
- Light engine and driver can be replaceable through aperture below ceiling.
- Provided listed j-box and adjustable height and mounting channel brackets.
- ETL & cETL Listed.
- CRI 80.

6" Dimensions



Ceiling Cut-out : 7" X 7" (178 x 178mm)

Trims



DLEDT-614S -6"x6"
DLEDT-414S -5"x5"