

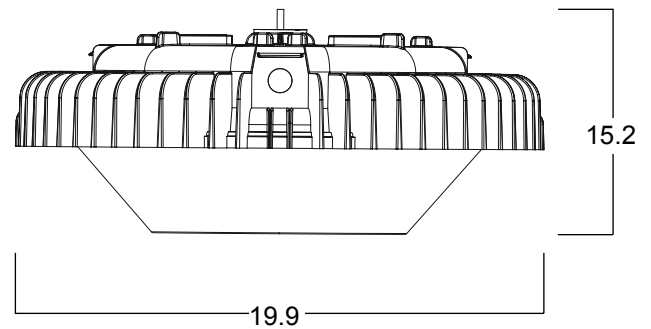
DHBX-LED

Highbay



Job Information

Type:	
Catalog #:	
Project:	
Comments:	
Prepared by:	



Description

The first of its kind, the Deco LED High Bay luminaire was designed specifically to replace conventional lighting in a wide variety of industrial applications, both indoor and outdoor. Its low profile, light weight design and versatile mounting options make it ideal for many applications such as high bay lighting, warehouses, factories, cold storage, restricted access areas, service areas and other applications with mounting heights greater than 14 ft.

Ordering Information

Example: (DHBX-LED-120-40-PR-480-WH-CSC)



Series	Wattage/Lumen	Color Temp.	Lens Type	Voltage	Finish	Option						
Highbay	60	60W/7680 ³	30	3000K	PR	Prismatic Acrylic Polycarbonate	UNV	120-277V	BZ	Bronze	SM	Surface Mount ⁴
	80	80W/10240 ³	35	3500K			347	347V	BL	Black	CSC	ControlScope Connected
	120	120W/15360 ^{3,5}	40	4000K	480		480V	WH	White ¹	MS	Motion Sensor	
	160	160W/20480 ³	50	5000K ⁶	(Step-Down Transformer used for 480V Divider)		CU	Custom ²	YM	U-Bracket ⁴		
	240	240W/30720 ^{3,5}								CP	Center Pole ⁴	
	320	320W/36125 ³								GH	Grapple Hook	
									BB	Back Box ⁶		
										DM	Dimming (0-10V)	

¹ Standard for fixture
² Contact factory for custom finish options
³ Delivered Lumens (5000K)
⁴ IP66 Rated
⁵ DLC Listed
⁶ For higher ambient temperatures up to 65°C (149°F)

Deco Lighting practices a program of continuous product development, and as a result product specifications change frequently. We reserve the right to change product specifications without notice. Contact Deco for the latest product information.

©2016 Deco Lighting, www.getdeco.com T: (800) 613-DECO F: (310) 366-6855
 Rev Date: 1/26/17 #4

Features

HOUSING

- The die cast aluminum housing is designed to provide a separate compartment to keep the drivers and LEDs isolated. The housing accepts four different prismatic lenses to achieve different light patterns. The housing has 4 conduit fittings on the periphery, and has multiple mounting options. The finned housing serves as a highly efficient heat sink with over 500 sq. in. of surface area maximizing heat dissipation outside of the fixture. This one-piece design can effectively dissipate up to 360W in a 60°C ambient temperature. The cast aluminum heat sink is powder coated for long life outdoor applications. A specular reflector disc separates the lamp cavity from the driver cavity and helps control beam shape. The refractor is assembled to the housing with shoulder screws which compress a rubber gasket.

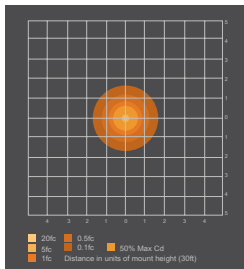
AVAILABLE OPTICS

- This prismatic lens option minimizes LED pixilation and provides excellent light distribution.

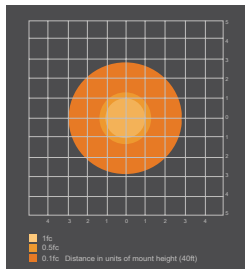
Polycarbonate versions are available.

- Compliance: UL8750 & UL1598/1598B
- Suitable for Wet Locations (See Performance data on Pg 2)
- The DHBX family of gasketed highbays are designed to protect LED lighting in harsh environments. These units seal out dust and moisture from the electrical components in a wide range of applications.
 - Food processing facilities
 - Industrial facilities
 - Parking Garage
 - Laundries
 - Commercial kitchen
 - Breweries
 - Livestock containment buildings
 - Under Awnings
 - Road Tunnels
 - Car Washes

Photometric Data



120W



240W

DLC Listed

	120W	240W
5000K	X	X

Performance Data

CRI:	70+			
CCT:	3000K, 3500K, 4000K, 5000K			
Warranty:	10 yr. Limited Warranty including parts and labor			
Dimming:	0-10V dimming standard			
Operating Temperature:	-40°C to +65°C (-40°F to +149°F)* *to operate in higher ambient temperatures up to 65°C (149°F) the remote back box option must be used.			
L70 Rating:	100,000+ Hours			
IP Rating:	IP65 for spray down / IP66 when surface mount, U-bracket, and center pole			
Driver Current:	700mA			
Sound Rating:	Class A (inaudible in a 24dB ambient environment)			
BUG Rating:	120W	B4	U0	G1
	240W	B4	U3	G5

Delivered Light Output and Equivalency Chart

HID to LED Replacement		
DELIVERED LUMENS	HID	LED Replacement
1300lm	50W	10W
2600lm	70W	20W
3900lm	100W	30W
5200lm	150W	40W
7800lm	175W	60W
11700lm	250W	80W
15600lm	400W	120W
26000lm	750W	200W
31200lm	1000W	240W

Interested in upgrading from HID to LED lighting? Use the conversion table above to get a general idea of what wattage LED fixture will replace your current lighting system. Lumen output and overall performance will vary by fixture, so please contact our factory or your nearest sales rep regarding specific questions on what wattage will best suit your desired space and application.

*for mounting heights over 25ft consult factory.

Performance Data

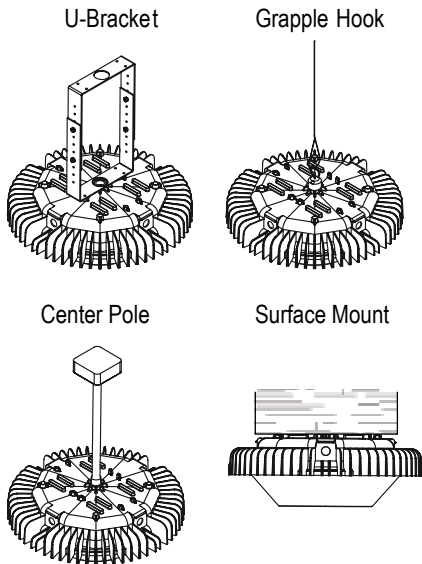
Lumen vs Ambient Temperature

Ambient °C	Ambient °F	Lumen Multiplier
03	21	.02
54	11	.015
10	50	1.01
15	59	1.008
20	68	1.005
25	77	1
30	86	0.995
35	95	0.985
40	104	0.98
45	113	0.97
50	122	0.965
55	131	0.96

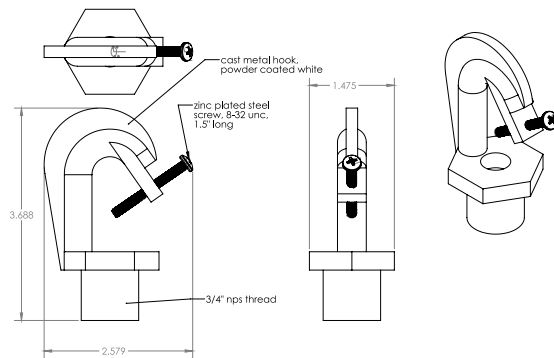
Projected LED Lumen Maintenance

Operating Hours	0	10,000	20,000	25,000	35,000	50,000	60,000	75,000	100,000
LM Factor	10	.980	.970	.960	.950	.930	.910	.890	.86

Mounting Options



Grapple Hook

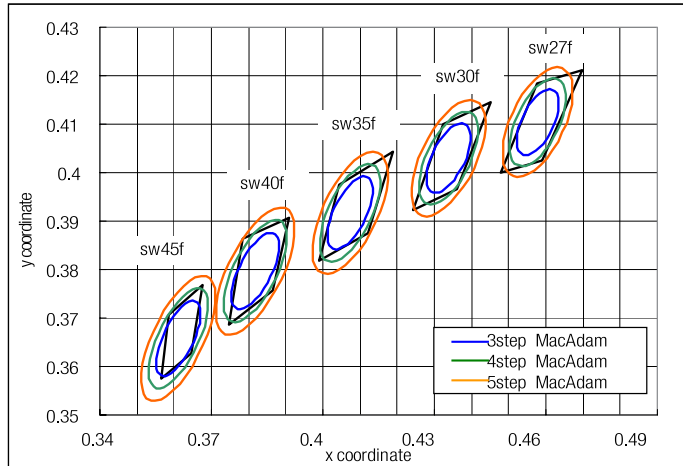


Physical Characteristics:

- Die cast zinc hook body
- 3/4" NPS Male Thread
- Finish: Powder coat white or unfinished.
- Maximum load. 200 lbs.

MacAdam Ellipse

A MacAdam ellipse is a region on a chromaticity diagram which contains all colors which are indistinguishable, to the average human eye, from the color at the center of the ellipse. This measure helps to establish the variability in color a light source can exhibit before a general observer will notice the shift in color. Each standard deviation out from the target center is referred to as a MacAdam step, with ANSI recommending that lamp manufacturers stay within a “4-step” ellipse. This 4-step MacAdam minimum requirement means that lamp manufacturers are given a great deal of allowance regarding the perceptible differences in color properties of their fixtures versus what they advertise.



Deco Lighting uses only the finest LEDs made by Nichia, the world’s largest LED manufacturer. The Nichia LED is considered the Rolls Royce of LEDs. Featuring a 3-step MacAdam ellipse, the tightest binning in the industry, Nichia LEDs are held to a higher standard than minimum industry requirement and don’t color-shift like fixtures utilizing lower quality LEDs.

sw27f	
x	y
0.4478	0.3999
0.4576	0.4183
0.4698	0.4212
0.4591	0.4025

sw30f	
x	y
0.4244	0.3923
0.4325	0.4101
0.4452	0.4146
0.4362	0.3965

sw35f	
x	y
0.3989	0.3819
0.4045	0.3975
0.4452	0.4044
0.4362	0.3875

sw40f	
x	y
0.3746	0.3687
0.3783	0.3836
0.3909	0.3906
0.3864	0.3757

sw45f	
x	y
0.3565	0.3576
0.3585	0.3706
0.3675	0.3769
0.3646	0.3627