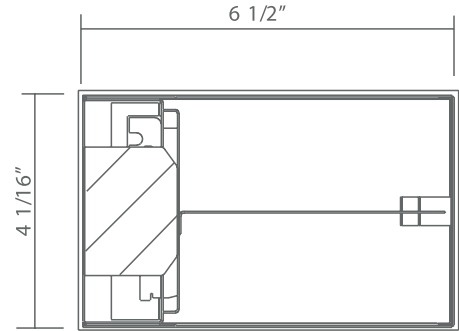


DCV-LED

Surface Wall Mount Valance Luminaire



Job Information

Type:	
Catalog #:	
Project:	
Comments:	
Prepared by:	

Description

For applications that require a narrow-profile design with flat-bottom diffuser. Provides medium light levels in a compact fixture.

Features

- Die and brake formed, heavy gauge cold rolled steel housing assembly.
- One piece end caps fasten with single acorn type nut.
- Diffuser is retained by a grooved formation running the length of the fixture and is held in place on both ends by the end caps.
- Metal facial retained flush against diffuser by the end caps.
- Spot-welded for rigidity and clean appearance.
- Powder painted white housing.
- High reflectivity coated, reflecting surfaces for improved efficiency.
- Standard diffuser is a clear, linear prismatic, extruded acrylic lens, designed for high efficiency and low glare illumination.
- Diffuser internal facial is coated white in order to improve efficiency.
- Internal baffle separates uplight and downlight components.
- Approved to CSA and UL standards.

Ordering Information

Example: (DCV-LED-D-4-35-30-UNV-EM)

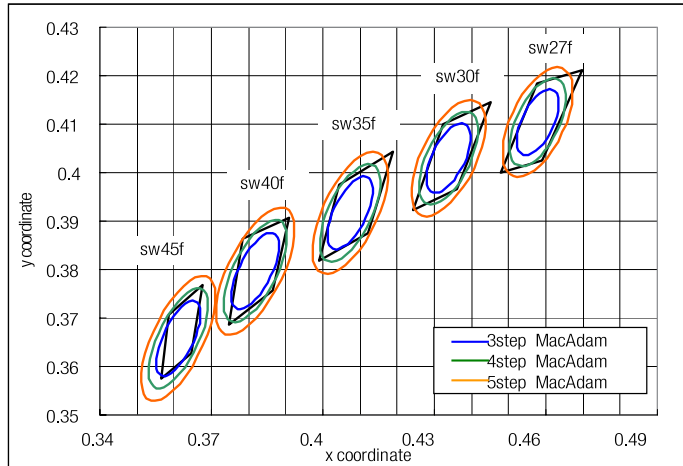


Series	Distribution	Length	Wattage/Lumen	Color Temp.	Voltage	Option
Surface Wall Mount Valance Luminaire	D	Downlight	2 2'	22 22W/2175 ¹	30 3000K	UNV 120-277V
	U	Uplight	4 4'	35 35W/3450 ¹	35 3500K	120 120V
	UD	Up/Down	45 45W/4450 ¹	40 4000K	277 277V	EM Emergency
			50 5000K			DM Dimmable
						CSC Control Scope Connected
						PS Pull Chain Switch

¹Delivered Lumens

MacAdam Ellipse

A MacAdam ellipse is a region on a chromaticity diagram which contains all colors which are indistinguishable, to the average human eye, from the color at the center of the ellipse. This measure helps to establish the variability in color a light source can exhibit before a general observer will notice the shift in color. Each standard deviation out from the target center is referred to as a MacAdam step, with ANSI recommending that lamp manufacturers stay within a “4-step” ellipse. This 4-step MacAdam minimum requirement means that lamp manufacturers are given a great deal of allowance regarding the perceptible differences in color properties of their fixtures versus what they advertise.



Deco Lighting uses only the finest LEDs made by Nichia, the world’s largest LED manufacturer. The Nichia LED is considered the Rolls Royce of LEDs. Featuring a 3-step MacAdam ellipse, the tightest binning in the industry, Nichia LEDs are held to a higher standard than minimum industry requirement and don’t color-shift like fixtures utilizing lower quality LEDs.

sw27f	
x	y
0.4478	0.3999
0.4576	0.4183
0.4698	0.4212
0.4591	0.4025

sw30f	
x	y
0.4244	0.3923
0.4325	0.4101
0.4452	0.4146
0.4362	0.3965

sw35f	
x	y
0.3989	0.3819
0.4045	0.3975
0.4452	0.4044
0.4362	0.3875

sw40f	
x	y
0.3746	0.3687
0.3783	0.3836
0.3909	0.3906
0.3864	0.3757

sw45f	
x	y
0.3565	0.3576
0.3585	0.3706
0.3675	0.3769
0.3646	0.3627