

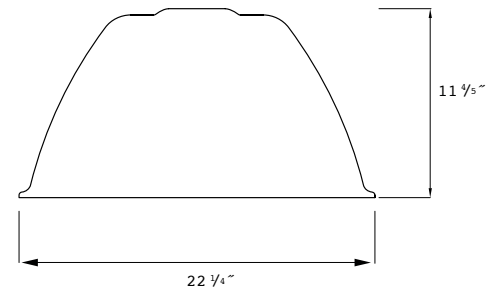
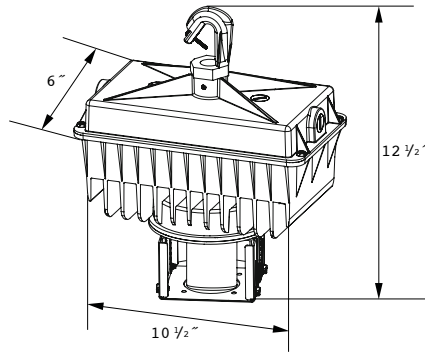
# D980-LED

## High Bay



### Job Information

Type:	
Catalog #:	
Project:	
Comments:	
Prepared by:	



### Description

The DECO D980-LED High Bay fixture was designed specifically to replace conventional lighting in a wide variety of industrial applications; both indoor and outdoor. Its light weight design and versatile mounting options make it ideal for many applications such as warehouse, garage, aisle, cold storage, bridge, tunnel and general area lighting. All of Deco Lighting's long life LED luminaires are designed to meet the most demanding specification criteria while offering maximum energy savings, reduced maintenance costs, and a superior quality of light.

### Ordering Information

Example: (D980-LED-150-50-UNV-120-CS)

D980-LED [ ] [ ] [ ] [ ] [ ] [ ]

Series	Wattage/Lumen	Color Temp.	Voltage	Angle	Option
High Bay	120 120W/14400 <sup>1</sup>	40 4000K	UNV 120-277V	55 55°	CS Cord Set
	150 150W/17250 <sup>1</sup>	50 5000K <sup>4</sup>		120 120°	
	250 250W/27500				
	350 350W/38150 <sup>1,2</sup>				

<sup>1</sup> Delivered Lumens (5K)  
<sup>2</sup> DLC Listed

### Features

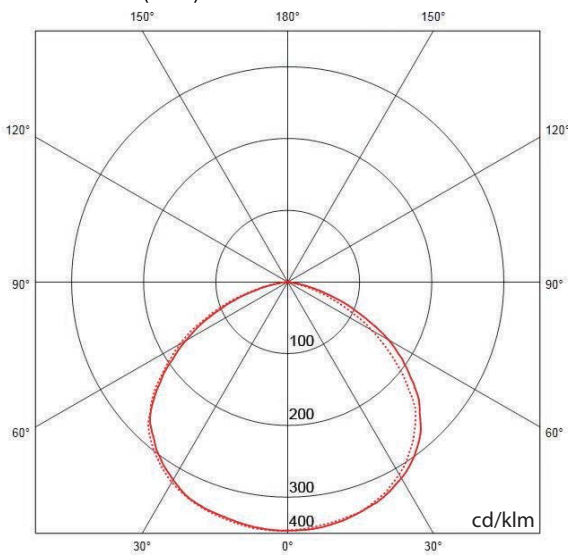
- Able to be mounted at high heights
- Stable wide dimming range 100%-10%
- Optimized heat dissipation
- Extended LED life > 100,000 hrs
- Die Cast Aluminum Housing with External Heat Sinks for Cooler Operating

### Temperatures

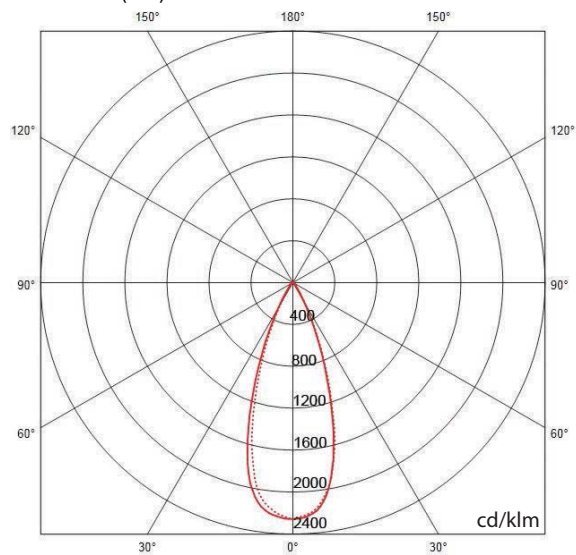
- White Aluminum Reflector with Drop Acrylic Lens
- L70 675,000

### Photometric Data

Without Lens (120°)



With Lens (55°)



### 350W Fixture

